

# XORP PIM-SM Test Suite

Version 0.4

XORP Project  
International Computer Science Institute  
Berkeley, CA 94704, USA  
*feedback@xorp.org*

August 28, 2003

# Modification History

Version 0.1 completed	December 5, 2002	draft-ietf-pim-sm-v2-new-05. {ps, tex} draft-ietf-pim-sm-bsr-02. {ps, tex}
Version 0.2 completed	March 10, 2003	draft-ietf-pim-sm-v2-new-05. {ps, tex} draft-ietf-pim-sm-bsr-03. {ps, tex}
Version 0.3	June 9, 2003	No changes
Version 0.4	August 28, 2003	Modify the “show pim join” sample CLI output information to reflect current code. Added text to “Possible Problems” in Section 5.1 and Section 5.2 to reflect some recent changes to the PIM-SM protocol specification.

# Contents

<b>0</b>	<b>Introduction</b>	<b>6</b>
0.1	Overview . . . . .	6
0.2	Test Software . . . . .	6
0.3	Acronyms . . . . .	6
0.4	Definitions . . . . .	7
0.5	Timers and Default Values . . . . .	7
0.6	Test Organization . . . . .	7
0.7	References . . . . .	8
0.8	Acknowledgments . . . . .	9
<b>1</b>	<b>Interoperability</b>	<b>10</b>
1.1	Basic Interoperability . . . . .	11
<b>2</b>	<b>Designated Routers (DR) and Hello Messages</b>	<b>13</b>
2.1	Hello Transmission . . . . .	14
2.2	Two-Way Neighbor Adjacency . . . . .	15
2.3	Hello Reception . . . . .	17
2.4	Holdtime Option . . . . .	19
2.5	DR Priority Option . . . . .	22
2.6	Generation ID Option . . . . .	26
2.7	Two-Way Neighbor Adjacency Without Hello Messages . . . . .	28
<b>3</b>	<b>PIM Register Messages</b>	<b>30</b>
3.1	Register Messages Transmission . . . . .	31
3.2	Register Tunnel Interface . . . . .	34
3.3	Register Messages Reception . . . . .	39
<b>4</b>	<b>PIM Join/Prune Messages</b>	<b>42</b>
4.1	Receiving (*,*,RP) Join/Prune Messages . . . . .	43
4.2	Receiving (*,G) Join/Prune Messages . . . . .	48
4.3	Receiving (S,G) Join/Prune Messages . . . . .	54
4.4	Receiving (S,G,rpt) Join/Prune Messages . . . . .	64
4.5	Sending (*,*,RP) Join/Prune Messages . . . . .	72
4.6	Sending (*,G) Join/Prune Messages . . . . .	79
4.7	Sending (S,G) Join/Prune Messages . . . . .	89
4.8	(S,G,rpt) Periodic Messages . . . . .	101
4.9	State Machine for (S,G,rpt) Triggered Messages . . . . .	109

<b>5</b>	<b>PIM Assert Messages</b>	<b>128</b>
5.1	(S,G) Assert Message State Machine . . . . .	129
5.2	(* ,G) Assert Message State Machine . . . . .	148
<b>6</b>	<b>Bootstrap Mechanism</b>	<b>166</b>
6.1	Candidate BSR State Machine . . . . .	167
6.2	Non-Candidate BSR State Machine . . . . .	180
6.3	Sending Candidate-RP-Advertisements . . . . .	186
6.4	Creating the RP-Set at the BSR . . . . .	189
6.5	Forwarding Bootstrap Messages . . . . .	197
6.6	Receiving and Using the RP-Set . . . . .	200
6.7	Semantic Fragmentation of BSMs . . . . .	208

# List of Tables

1	PIM-SM base protocol specification timers and default values . . . . .	8
2	PIM-SM Bootstrap protocol specification timers and default values . . . . .	8

# List of Figures

1.1	Basic interoperability test setup . . . . .	11
2.1	Hello transmission test setup . . . . .	14
2.2	Two-way neighbor adjacency test setup . . . . .	15
2.3	Hello reception test setup . . . . .	17
2.4	Holdtime option test setup . . . . .	19
2.5	DR priority option test setup . . . . .	22
2.6	Generation ID option test setup . . . . .	26
2.7	Two-way neighbor adjacency without Hello messages test setup . . . . .	28
3.1	Register messages transmission test setup . . . . .	31
3.2	Register tunnel interface test setup . . . . .	34
3.3	Register messages reception test setup . . . . .	39
4.1	Receiving (*,*,RP) Join/Prune messages test setup . . . . .	43
4.2	Receiving (*,G) Join/Prune messages test setup . . . . .	48
4.3	Receiving (S,G) Join/Prune messages test setup . . . . .	54
4.4	Receiving (S,G,rpt) Join/Prune messages test setup . . . . .	64
4.5	Sending (*,*,RP) Join/Prune Messages test setup . . . . .	72
4.6	Sending (*,G) Join/Prune Messages test setup . . . . .	79
4.7	Sending (S,G) Join/Prune Messages test setup . . . . .	89
4.8	(S,G,rpt) periodic messages test setup . . . . .	101
4.9	State machine for (S,G,rpt) triggered messages test setup . . . . .	109
5.1	(S,G) Assert message state machine test setup . . . . .	129
5.2	(* ,G) Assert message state machine test setup . . . . .	148
6.1	Candidate BSR state machine test setup . . . . .	167
6.2	Non-candidate BSR state machine test setup . . . . .	180
6.3	Sending Candidate-RP-Advertisements test setup . . . . .	186
6.4	Creating the RP-Set at the BSR test setup . . . . .	189
6.5	Forwarding Bootstrap messages test setup . . . . .	197
6.6	Receiving and using the RP-Set test setup . . . . .	200
6.7	Semantic fragmentation of BSMs test setup . . . . .	208

# Chapter 0

## Introduction

### 0.1 Overview

This document describes a set of tests for evaluating Protocol Independent Multicast - Sparse Mode implementation. Those tests have been designed by the XORP project to evaluate the XORP PIM-SM implementation. However, even though the description of the observable results uses examples with XORP-specific commands, the description of the tests is generic, and can be used for evaluating any other PIM-SM implementation.

### 0.2 Test Software

The test software used in this test suite is the XORP PIM-SM implementation itself. More specifically, the XORP PIM-SM implementation has extensions that can be used to generate various PIM-SM protocol control packets for testing purpose. In addition, on several occasions a multicast sender and receiver programs are used to generate and receive multicast data traffic. In general, any software can be used for that, as long as it allows to specify the multicast interface to send or receive multicast packets on, the multicast group to use, and (in some cases) to control the data rate of the sender.

### 0.3 Acronyms

Acronyms used in this Test Suite:

- **LAN:** Local Area Network
- **M:** Monitor or packet capturer
- **MRT:** Multicast Routing Table
- **MRE:** Multicast Routing Entry
- **MRIB:** Multicast Routing Information Base
- **N:** Network
- **NBMA:** Non-Broadcast Multi-Access
- **RTE:** Routing Table Entry

- **RUT: Router Under Test**
- **Rx: Receiver**
- **S: Source**
- **TN: Testing Node**
- **TR: Testing Router**

When several entities of the same type are present in a test configuration, a number is appended to the acronym to yield a label for each entity. For example, if there were three testing routers in the test configuration, they would be labeled TR1, TR2, TR3.

## 0.4 Definitions

- **Route Metric:** The metric of a route as reported by the unicast routing protocol.
- **Route Metric Preference:** The preference for using a route as defined per unicast routing protocol that has been used to compute the route, or as configured per route.

## 0.5 Timers and Default Values

PIM-SMv2 defines several timers and default values. For the purpose of testing, all configurable timers and values are set to their defaults, unless otherwise noted in the test description. These defaults are given here for reference, taken or calculated from the PIM-SM protocol specification. Table 1 contains the timer and default values from the PIM-SM base protocol specification. Table 2 contains the timer and default values from the PIM-SM Bootstrap protocol specification.

## 0.6 Test Organization

This document organizes tests by loosely following the protocol specification as described in the protocol specification documents (see Section 0.7). Each test has the following format:

- **Test Name:** The name of the test. Typically, it corresponds to a sub-section in the protocol specification document.
- **Purpose:** A short description of the goal of the test.
- **References:** A list of documents that can be useful to understand the purpose of the test, and the expected behavior.
- **Test Setup:** A description of the configuration that should be prepared in advance. If a value for a configurable protocol parameter is not provided, then the protocol's default value is used. Occasionally, some configuration needs to be changed while the test is in process. In that case, this is explicitly described in the procedure for that test.
- **Procedure:** Detailed step-by-step instructions for performing the test. For example, starting a router, sending a protocol packet, observing transmitted packets on a network, observing protocol-specific state in a router, etc. Typically, the procedure has several parts. By default, each part should start with the original test setup, unless stated otherwise.



Protocol Timer or Variable Name	Value
PIM_SM_version_default	2
LAN_delay_default	0.5 sec
t_override_default	2.5 sec
Hello_Period	30 sec
Triggered_Hello_Delay	5 sec
Default_Hello_Holdtime	105 sec
Hello_Holdtime	105 sec
J/P_HoldTime	210 sec
J/P_Override_Interval(I)	3 sec
Assert_Override_Interval	3 sec
Assert_Time	180 sec
t_periodic	60 sec
t_suppressed	rand(66, 84) sec
t_override	rand(0, 2.5) sec
Keepalive_Period	210 sec
RP_Keepalive_Period	185 sec
Register_Suppression_Time	60 sec
Register_Probe_Time	5 sec

Table 1: PIM-SM base protocol specification timers and default values

Protocol Timer or Variable Name	Value
BS_Period	60 sec
BS_Timeout	130 sec
rand_override	weighted_rand(5.0, 23.0) sec
C-RP_Timeout	150 sec
C-RP-Adv_Period	60 sec
SZ_Timeout	1300 sec

Table 2: PIM-SM Bootstrap protocol specification timers and default values

- **Observable Results:** Detailed description of the results that are expected as the test is performed. Typically, those are some specific protocol or data packets expected to appear on a network, the protocol state inside a router to change in some specific way, etc. It is not necessary to observe everything at the same type. The procedure description contains information about what and when to observe.
- **Possible Problems:** A description of various issues that may affect the test results in certain situations. For example, some precise event timing or some permitted variations in the way the protocol is implemented may result in slightly different behavior.

## 0.7 References

The following documents are referenced in this text:

- `draft-ietf-pim-sm-v2-new-05`. {ps, tex} – Protocol Independent Multicast - Sparse Mode (PIM-SM): Protocol Specification (Revised)
- `draft-ietf-pim-sm-bsr-03`. {ps, tex} – Bootstrap Router (BSR) Mechanism for PIM Sparse Mode

## **0.8 Acknowledgments**

The format and notation in this test-suite is largely based on the format of the IP Consortium Test Suite developed by the InterOperability Laboratory at the University of New Hampshire.

# Test Group 1

## Interoperability

**Scope:** The following tests verify the general operation of a PIM-SM router and are not specific to any single section of the specification.

**Overview:** These tests have been designed to test the Interoperability of the RUT with other PIM-SM capable devices. This test group focuses on testing configurations of the network that could cause problems when deployed if the RUT does not operate properly with the devices that it is connected to. The tests in this group do not determine if a product conforms to the PIM-SM standard but they are designed as interoperability tests. The test routers in this section are complete implementation of PIM-SM.

Please note that in the case of interoperability tests, failure against any other router does not necessarily indicate nonconformance. Rather, it indicates that the two routers are unable to work “properly” together and that further work should be done to isolate the cause of the failure.

## 1.1 Basic Interoperability

**Purpose:** To ensure that a router can interoperate with other PIM-SM implementation in a multicast network.

**References:**

- draft-ietf-pim-sm-v2-new-05 – Section 4

**Discussion:** PIM capable routers detect each other with PIM Hello messages and exchange information for their routing tables through PIM Join/Prune messages. For each multicast group there is a single PIM-SM router that is the Rendezvous Point (RP) for that group. PIM-SM routers that are connected to group members send PIM Join messages toward the RP to create the group-specific shared tree. A PIM-SM router that is directly connected to a multicast source, encapsulates the multicast data in PIM Register messages which are unicast to the RP for that group. The RP decapsulates the PIM Register messages and forwards them down the group-specific shared tree to all receivers for that group.

**Test Setup:** Connect the RUT, TR1, TN1, and TN2 according to Figure 1.1. Enable PIM-SM on both the RUT and TR1.



Figure 1.1: Basic interoperability test setup

**Procedure:**

*Part A: The RUT is the RP, TN1 is the receiver, and TN2 is the sender.*

Configure both the RUT and TR1 such that the RUT is the RP for group 224.0.1.20. This configuration can be either manual, or implicit through the Bootstrap mechanism. Configure TN1 and TN2 such that TN1 is the receiver, and TN2 is the sender, both for group 224.0.1.20.

1. Start both the RUT and TR1. If necessary, wait until the RP-set in the RUT and TR1 converges.
2. Start the receiver and the sender.
3. Observe the data packets received by the receiver.

*Part B: TR1 is the RP, TN1 is the receiver, and TN2 is the sender.*

Configure both the RUT and TR1 such that TR1 is the RP for group 224.0.1.20. This configuration can be either manual, or implicit through the Bootstrap mechanism. Configure TN1 and TN2 such that TN1 is the receiver, and TN2 is the sender, both for group 224.0.1.20. The rest of the procedure is same as in Part A.

*Part C: The RUT is the RP, TN2 is the receiver, and TN1 is the sender.*

Configure both the RUT and TR1 such that the RUT is the RP for group 224.0.1.20. This configuration can be either manual, or implicit through the Bootstrap mechanism. Configure TN1 and TN2 such that TN2 is the receiver, and TN1 is the sender, both for group 224.0.1.20. The rest of the procedure is same as in Part A.

*Part D: TR1 is the RP, TN2 is the receiver, and TN1 is the sender.*

Configure both the RUT and TR1 such that TR1 is the RP for group 224.0.1.20. This configuration can be either manual, or implicit through the Bootstrap mechanism. Configure TN1 and TN2 such that TN2 is the receiver, and TN1 is the sender, both for group 224.0.1.20. The rest of the procedure is same as in Part A.

**Observable Results:** In all cases the data packets by the sender should be received by the receiver.

In Part A, the data packets from TN2 should be encapsulated in PIM Registers by TR1, unicast to the RUT (the RP), decapsulated by RUT, and then forwarded (using native multicast) to TN1. In Part B, the data packets from TN2 should be forwarded by TR1 to the RUT (using native multicast, because TR1 does not need to encapsulate PIM Registers to itself), and then forwarded to TN1. In Part C, the data packets from TN1 should be forwarded (using native multicast) by the RUT to TR1, and then to TN2. In Part D, the data packets from TN1 should be encapsulated in PIM Registers by the RUT, unicast to TN (the RP), decapsulated by TN, and then forwarded (using native multicast) to TN2.

**Possible Problems:** If the RP-set is empty, or is not same for the RUT and TR1, no multicast packets will be received by the receiver.

## Test Group 2

# Designated Routers (DR) and Hello Messages

**Scope:** Test PIM router neighbor discovery, option exchange, and DR election.

**Overview:** PIM Hello messages are sent periodically on each PIM-enabled interface. They are used to discover neighboring PIM routers, to exchange various options, and to elect a Designated Router (DR) per LAN. Hello messages are also used to provide a keep-alive function to detect a neighbor loss.

## 2.1 Hello Transmission

**Purpose:** Verify that a router properly sends Hello messages.

**References:**

- draft-ietf-pim-sm-v2-new-05 – Section 4.3.1

**Discussion:** Neighbor discovery of PIM capable routers is accomplished by sending Hello messages to the ALL-PIM-ROUTERS multicast address (224.0.0.13 for IPv4, and “ff02::d” for IPv6). These Hello messages must contain the following:

- The IP TTL MUST be set to one.
- The Type field must be set to 0, this designates a PIM Hello message.

The router should transmit the Hello messages at an interval of `Hello_Period` (30 sec).

**Test Setup:** Connect the RUT according to Figure 2.1. Enable PIM-SM on the RUT.

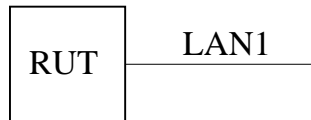


Figure 2.1: Hello transmission test setup

**Procedure:**

1. Start the RUT.
2. Observe the messages transmitted by the RUT.

**Observable Results:**

- The RUT should send properly formatted PIM Hello messages to the ALL-PIM-ROUTERS multicast address at `Hello_Period` (30 sec) interval.
- The first Hello message only should be send after a random interval between 0 and `Triggered_Hello_Delay` (5 sec).
- The PIM Hello messages should meet all the requirements in the discussion section.

**Possible Problems:** None.

## 2.2 Two-Way Neighbor Adjacency

**Purpose:** Verify that a router accepts Hello messages and forms a two-way neighbor adjacency.

**References:**

- draft-ietf-pim-sm-v2-new-05 – Section 4.3.1

**Discussion:** Neighbor discovery of PIM capable routers is accomplished by sending Hello messages to the ALL-PIM-ROUTERS address (224.0.0.13 for IPv4, and “ff02::d” for IPv6). As a PIM router receives Hello messages from its PIM neighbors, it records the neighbor addresses on each interface.

**Test Setup:** Connect the RUT and TR1 according to Figure 2.2. Enable PIM-SM on both the RUT and TR1.



Figure 2.2: Two-way neighbor adjacency test setup

**Procedure:**

*Part A: Neighbor adjacency when there is network connectivity failure.*

1. Start the RUT.
2. Observe the neighbor state information in the RUT for at least `Triggered_Hello_Delay` (5 sec).
3. Start TR1.
4. Observe the neighbor state information in the RUT for at least `Triggered_Hello_Delay` (5 sec).
5. Disconnect TR1 from LAN1.
6. Observe the neighbor state information in the RUT for at least `Hello_Holdtime` (105 sec).

*Part B: Neighbor adjacency when a neighbor gracefully goes down.*

The procedure is same as in Part A, except that TR1 is gracefully shut-down instead of disconnected from LAN1.

*Part C: Neighbor adjacency when the RUT is gracefully shut-down.*

1. Start the RUT and TR1.
2. Observe the neighbor state information in the RUT.
3. Observe the messages transmitted by the RUT on LAN1.
4. Gracefully shut-down the RUT.



## Observable Results:

### Part A:

- Before TR1 is started, the neighbor state information in the RUT should show no PIM neighbors:

```
Xorp> show pim neighbors
Interface          DRpriority NeighborAddr    V Mode    Holdtime Timeout
```

- After TR1 is started, and after up to `Triggered_Hello_Delay` (5 sec), the neighbor state information in the RUT must contain TR1:

```
Xorp> show pim neighbors
Interface          DRpriority NeighborAddr    V Mode    Holdtime Timeout
dc1                1 10.2.0.2      2 Sparse      105      103
```

- After TR1 is disconnected from LAN1, and after up to `Hello_Holdtime` (105 sec), the neighbor state information in the RUT should show no PIM neighbors:

```
Xorp> show pim neighbors
Interface          DRpriority NeighborAddr    V Mode    Holdtime Timeout
```

### Part B:

The observed results should be same as in Part A, except that after TR1 is gracefully shut-down, it would send a Hello message with zero `HoldTime`. After the RUT receives this Hello message, it should immediately timeout TR1, instead of up to `Hello_Holdtime` (105 sec).

### Part C:

- After TR1 is started, and after up to `Triggered_Hello_Delay` (5 sec), the neighbor state information in the RUT must contain TR1:

```
Xorp> show pim neighbors
Interface          DRpriority NeighborAddr    V Mode    Holdtime Timeout
dc1                1 10.2.0.2      2 Sparse      105      103
```

- Right after the RUT is gracefully shut-down, it should send a Hello message with zero `HoldTime`.

**Possible Problems:** None.

## 2.3 Hello Reception

**Purpose:** Verify that a router properly receives Hello messages.

**References:**

- draft-ietf-pim-sm-v2-new-05 – Sections 4.3.1, 4.10, and 4.10.2

**Discussion:** Neighbor discovery of PIM capable routers is accomplished by sending Hello messages to the ALL-PIM-ROUTERS address (224.0.0.13 for IPv4, and “ff02::d” for IPv6). As a PIM router receives Hello messages from its PIM neighbors, it records the neighbor addresses on each interface. The checksum is 16-bit one’s complement of the one’s complement sum of the PIM messages. The checksum **MUST** be validated on reception of the message. The unused and reserved bits **MUST** be ignored upon reception.

**Test Setup:** Connect the RUT and TR1 according to Figure 2.3. Enable PIM-SM on both the RUT and TR1.



Figure 2.3: Hello reception test setup

**Procedure:**

*Part A: Reception of a PIM Hello message containing an invalid checksum.*

1. TR1 transmits a Hello message with an invalid checksum.
2. Observe the neighbor state information in the RUT.

*Part B: Reception of a PIM Hello message containing a Reserved field of 0xFF.*

1. TR1 transmits a Hello message containing a Reserved field of 0xFF.
2. Observe the neighbor state information in the RUT.

*Part C: Reception of a PIM Hello message containing a Version field of 0xF.*

1. TR1 transmits a Hello message containing a Version field of 0xF.
2. Observe the neighbor state information in the RUT.

*Part D: Reception of a PIM message containing an unrecognized Type field of 0xF.*

1. TR1 transmits a PIM message containing a Type field of 0xF.
2. Observe the warning log messages in the RUT.

**Observable Results:**

- In Part A, the Hello messages with invalid checksum should be ignored, and the neighbor state information in the RUT should show no PIM neighbors:

```
Xorp> show pim neighbors
Interface          DRpriority NeighborAddr      V Mode      Holdtime Timeout
```

- In Part B, after TR1 is started, and after up to Triggered\_Hello\_Delay (5 sec), the neighbor state information in the RUT must contain TR1:

```
Xorp> show pim neighbors
Interface          DRpriority NeighborAddr      V Mode      Holdtime Timeout
dc1                 1 10.2.0.2         2 Sparse      105        103
```

- In Part C, after TR1 is started, and after up to Triggered\_Hello\_Delay (5 sec), the neighbor state information in the RUT must contain TR1 with protocol version of 15 (0xF).

```
Xorp> show pim neighbors
Interface          DRpriority NeighborAddr      V Mode      Holdtime Timeout
dc2                 1 10.3.0.1         15 Sparse      105        103
```

- In Part D, after TR1 is started and after it sends PIM messages containing a Type field of 0xF, the RUT should log the messages with this unrecognized Type field:

```
[ 2002/08/17 22:45:20 WARNING test_pim.rut PIM ] RX PIM_type_unknown from
10.3.0.2 to 224.0.0.13: message type (15) is unknown
```

### Possible Problems:

- Earlier protocol specification (RFC 2117), have “Addr length” field in place of the “Reserved” field. Therefore, the test in Part B may not be appropriate for such implementations.
- At the moment of writing, the latest PIM-SM specification does not describe the behavior if a PIM message is received with protocol version that is larger than the implemented one. (TODO: if the specification later is modified to include that behavior, remove this bullet). Hence, in Part C, it is possible that an implementation may silently ignore all messages with protocol version larger than PIM\_SM\_version\_default (PIM-SMv2). As a result, the RUT will not see TR1 as a neighbor.
- In Part D, the RUT may not log events such as receiving of a message with unrecognized Type field, because the logging is not described in the spec.

## 2.4 Holdtime Option

**Purpose:** Verify that a router properly sends and receives Hello messages with Holdtime option.

**References:**

- draft-ietf-pim-sm-v2-new-05 – Sections 4.3.1 and 4.10.2

**Discussion:** PIM capable routers periodically send Hello messages to the ALL-PIM-ROUTERS address (224.0.0.13 for IPv4, and “ff02::d” for IPv6). If a PIM router does not receive a Hello message from a neighbor for some amount of time, it is assumed that the neighbor (or the connectivity to it) is not operational, therefore the neighbor is timed-out. A Hello message may contain a Holdtime option that specifies the amount of time (in seconds) a router must keep the neighbor reachable. If a Hello message does not contain a Holdtime option, the default value of `Default_Hello_Holdtime` (105 sec) is assumed. If a Hello message contains a Holdtime option with value of `0xFFFF`, then only one Hello message should be sent, and the router-recipient of the message should not time-out the router-originator.

**Test Setup:** Connect the RUT and TR1 according to Figure 2.4. Enable PIM-SM on both the RUT and TR1.



Figure 2.4: Holdtime option test setup

**Procedure:**

*Part A: Transmission of a PIM Hello message containing a Holdtime option.*

1. Start the RUT.
2. Observe the messages transmitted by the RUT for at least `Triggered_Hello_Delay + 3 * Hello_Holdtime` (i.e., (5 sec) + 3 \* (105 sec)).
3. Stop the RUT.
4. Observe the messages transmitted by the RUT for at least `Triggered_Hello_Delay + 3 * Hello_Holdtime` (i.e., (5 sec) + 3 \* (105 sec)).
5. Change the configuration value of `Hello_Holdtime` and repeat.

*Part B: Transmission of a PIM Hello message containing a Holdtime option with value of 0xFFFF.*

The procedure is same as in Part A, except that the RUT is configured with Holdtime option value of `0xFFFF`. Note that the amount of time to observe the transmitted messages should be same as in Part A.

*Part C: Reception of a PIM Hello message containing a Holdtime option.*

1. Start the RUT.
2. Observe the neighbor state information in the RUT for at least `Triggered_Hello_Delay` (5 sec).

3. Configure TR1 such that its Hello messages would contain a Holdtime option with the default value of `Hello_Holdtime` (105 sec).
4. Start TR1.
5. Observe the neighbor state information in the RUT for at least `Triggered_Hello_Delay` (5 sec).
6. Stop TR1.
7. Observe the neighbor state information in the RUT for at least `Hello_Holdtime` (105 sec).
8. Change the configuration value of `Hello_Holdtime` in TR1 and repeat.

*Part D: Reception of a PIM Hello message containing a Holdtime option with value of 0xFFFF.*

The procedure is same as in Part C, except that in Step 3 the Hello message originated by TR1 must be configured contain a Holdtime option with value of 0xFFFF.

*Part E: Reception of a PIM Hello message that does not contain a Holdtime option.*

The procedure is same as in Part C, except that in Step 3 the the Hello message originated by TR1 must be configured to exclude the Holdtime option.

### **Observable Results:**

*Part A:*

- After the RUT is started, the first Hello message should be transmitted no later than `Triggered_Hello_Delay` (5 sec).
- After the first Hello message, there should be one Hello message transmitted each `Hello_Period` (30 sec). Each Hello message should contain a Holdtime option with default value of `Hello_Holdtime` (105 sec).
- Right after the RUT is stopped, there should be a Hello message transmitted with Holdtime option value of 0.
- After the Hello message with Holdtime option value of 0, no other Hello messages should be transmitted.
- The results of repeating the test with different value of `Hello_Holdtime` should be similar, except that the Hello messages should be transmitted every 1/3th of the new `Hello_Holdtime`, and the Holdtime Option value in the Hello messages should be the new `Hello_Holdtime`.

*Part B:*

- After the RUT is started, the first Hello message should be transmitted no later than `Triggered_Hello_Delay` (5 sec). This message should contain a Holdtime option with value of 0xFFFF.
- After the first Hello message, there should be no one Hello messages transmitted before the RUT is stopped.
- Right after the RUT is stopped, there should be a Hello message transmitted with Holdtime option value of 0.

- After the Hello message with Holdtime option value of 0, no other Hello messages should be transmitted.

*Part C:*

- Before TR1 is started, the neighbor state information in the RUT should show no PIM neighbors:

```
Xorp> show pim neighbors
Interface          DRpriority NeighborAddr    V Mode    Holdtime Timeout
```

- After TR1 is started, and after up to Triggered\_Hello\_Delay (5 sec), the neighbor state information in the RUT must contain TR1. The Holdtime information about TR1 must match the Holdtime value in the Hello messages by TR1:

```
Xorp> show pim neighbors
Interface          DRpriority NeighborAddr    V Mode    Holdtime Timeout
dc1                1 10.2.0.2      2 Sparse      105      103
```

- After TR1 is stopped, and after it sends a Hello message with Holdtime option value of 0, the RUT must immediately expire it. The neighbor state information in the RUT should show no PIM neighbors:

```
Xorp> show pim neighbors
Interface          DRpriority NeighborAddr    V Mode    Holdtime Timeout
```

- The results of repeating the test with different value of Hello\_Holdtime should be similar, except that the Holdtime value in the state information in the RUT about TR1 should match the chosen value of the Hello\_Holdtime.

*Part D:*

The observed results should be same as in Part C, except that after the first Hello message from TR1 is received, the neighbor state information in the RUT must show that the TR1 would never be expired:

```
Xorp> show pim neighbors
Interface          DRpriority NeighborAddr    V Mode    Holdtime Timeout
dc1                1 10.3.0.2      2 Sparse      65535    None
```

*Part E:*

The observed results should be same as in Part C, except that the RUT assumes that the Holdtime value about TR1 is always equal to the default value of Hello\_Holdtime (105 sec).

**Possible Problems:** None.

## 2.5 DR Priority Option

**Purpose:** Verify that a router properly sends and receives Hello messages with DR Priority option.

**References:**

- draft-ietf-pim-sm-v2-new-05 – Sections 4.3.1, 4.3.2, and 4.10.2

**Discussion:** One of the PIM routers on each LAN, the Designated Router (DR), needs to act on behalf of the rest of the routers and directly connected hosts with respect to the PIM protocol. The DR election considers the DR priority of each PIM router and its IP address: numerically larger DR priority is always better, with a numerically larger IP address used as a tie-break. Each PIM router includes its DR priority in the DR Priority option of the Hello messages it originates. If there is at least one PIM router on a LAN that does not include the DR Priority option in its Hello messages, then the DR election process considers only the IP addresses of the routers.

**Test Setup:** Connect the RUT and TR1 according to Figure 2.5. Enable PIM-SM on both the RUT and TR1.



Figure 2.5: DR priority option test setup

**Procedure:**

*Part A: The RUT has a numerically larger IP address than TR1.*

1. Start the RUT with default DR priority of 1, and observe the DR state information in the RUT.
2. Start TR1 with default DR priority of 1, and observe the DR state information in the RUT.
3. Change the DR priority of TR1 to 2, and observe the DR state information in the RUT.
4. Change the DR priority of TR1 to 0, and observe the DR state information in the RUT.
5. Change the DR priority of TR1 to 1, and observe the DR state information in the RUT.
6. Change the DR priority of the RUT to 2, and observe the DR state information in the RUT.
7. Change the DR priority of the RUT to 0, and observe the DR state information in the RUT.
8. Change the DR priority of the RUT to 1, and observe the DR state information in the RUT.

*Part B: The RUT has a numerically smaller IP address than TR1.*

The procedure is same as in Part A, except that TR1 has a numerically smaller IP address than TR1.

**Observable Results:**

*Part A:*

1. After the RUT is started with default DR priority of 1, it should be the DR for LAN1:

```
Xorp> show pim interface dc2
Interface      State    Mode    V PIMstate  Priority DRaddr    Neighbors
dc2            UP      Sparse  2 DR        1 10.2.0.2    0
```

2. After TR1 is started with default DR priority of 1, the RUT should be still the DR for LAN1:

```
Xorp> show pim interface dc2
Interface      State    Mode    V PIMstate  Priority DRaddr    Neighbors
dc2            UP      Sparse  2 DR        1 10.2.0.2    1
```

3. After the DR priority of TR1 is increased to 2, TR1 should become the DR for LAN1. The DR state information in the RUT should show that the RUT is not the DR anymore:

```
Xorp> show pim interface dc2
Interface      State    Mode    V PIMstate  Priority DRaddr    Neighbors
dc2            UP      Sparse  2 NotDR     1 10.2.0.1    1
```

4. After the DR priority of TR1 is decreased to 0, the RUT should become the DR for LAN1:

```
Xorp> show pim interface dc2
Interface      State    Mode    V PIMstate  Priority DRaddr    Neighbors
dc2            UP      Sparse  2 DR        1 10.2.0.2    1
```

5. After the DR priority of TR1 is increased to 1, the RUT should continue to be the DR for LAN1:

```
Xorp> show pim interface dc2
Interface      State    Mode    V PIMstate  Priority DRaddr    Neighbors
dc2            UP      Sparse  2 DR        1 10.2.0.2    1
```

6. After the DR priority of the RUT is increased to 2, the RUT should continue to be the DR for LAN1:

```
Xorp> show pim interface dc2
Interface      State    Mode    V PIMstate  Priority DRaddr    Neighbors
dc2            UP      Sparse  2 DR        2 10.2.0.2    1
```

7. After the DR priority of the RUT is decreased to 0, TR1 should become the DR for LAN1. The DR state information in the RUT should show that the RUT is not the DR anymore:

```
Xorp> show pim interface dc2
Interface      State    Mode    V PIMstate  Priority DRaddr    Neighbors
dc2            UP      Sparse  2 NotDR     0 10.2.0.1    1
```

8. After the DR priority of the RUT is increased to 1, the RUT should become the DR for LAN1:



```
Xorp> show pim interface dc2
Interface      State      Mode      V PIMstate  Priority DRaddr      Neighbors
dc2            UP        Sparse    2 DR        1 10.2.0.2    1
```

*Part B:*

1. After the RUT is started with default DR priority of 1, it should be the DR for LAN1:

```
Xorp> show pim interface dc2
Interface      State      Mode      V PIMstate  Priority DRaddr      Neighbors
dc2            UP        Sparse    2 DR        1 10.2.0.2    0
```

2. After TR1 is started with default DR priority of 1, it should become the DR for LAN1. The DR state information in the RUT should show that the RUT is not the DR anymore:

```
Xorp> show pim interface dc2
Interface      State      Mode      V PIMstate  Priority DRaddr      Neighbors
dc2            UP        Sparse    2 NotDR     1 10.2.0.3    1
```

3. After the DR priority of TR1 is increased to 2, TR1 should continue to be the DR for LAN1. The DR state information in the RUT should show that the RUT is not the DR:

```
Xorp> show pim interface dc2
Interface      State      Mode      V PIMstate  Priority DRaddr      Neighbors
dc2            UP        Sparse    2 NotDR     1 10.2.0.3    1
```

4. After the DR priority of TR1 is decreased to 0, the RUT should become the DR for LAN1:

```
Xorp> show pim interface dc2
Interface      State      Mode      V PIMstate  Priority DRaddr      Neighbors
dc2            UP        Sparse    2 DR        1 10.2.0.2    1
```

5. After the DR priority of TR1 is increased to 1, TR1 should become the DR for LAN1. The DR state in the RUT should show that the RUT is not the DR:

```
Xorp> show pim interface dc2
Interface      State      Mode      V PIMstate  Priority DRaddr      Neighbors
dc2            UP        Sparse    2 NotDR     1 10.2.0.3    1
```

6. After the DR priority of the RUT is increased to 2, the RUT should become the DR for LAN1:

```
Xorp> show pim interface dc2
Interface      State      Mode      V PIMstate  Priority DRaddr      Neighbors
dc2            UP        Sparse    2 DR        2 10.2.0.2    1
```

7. After the DR priority of the RUT is decreased to 0, TR1 should become the DR for LAN1. The DR state in the RUT should show that the RUT is not the DR:

```
Xorp> show pim interface dc2
Interface      State    Mode    V PIMstate  Priority DRaddr      Neighbors
dc2            UP      Sparse  2 NotDR      0 10.2.0.3    1
```

8. After the DR priority of the RUT is increased to 1, TR1 should continue to be the DR for LAN1. The DR state information in the RUT should show that the RUT is not the DR:

```
Xorp> show pim interface dc2
Interface      State    Mode    V PIMstate  Priority DRaddr      Neighbors
dc2            UP      Sparse  2 NotDR      1 10.2.0.3    1
```

**Possible Problems:** None.

## 2.6 Generation ID Option

**Purpose:** Verify that a router properly sends and receives Hello messages with Generation ID option.

**References:**

- draft-ietf-pim-sm-v2-new-05 – Sections 4.3.1 and 4.10.2

**Discussion:** The Generation ID (GenID) option contains a randomly generated 32-bit value that is regenerated each time PIM forwarding is started or restarted on the interface, including when the router itself restarts. When a Hello message with a new GenID is received from a neighbor, any old Hello information about that neighbor should be discarded and superseded by the information from the new Hello message. In addition, if a router needs to send a Join/Prune or some other control messages to the new neighbor, then it must send a Hello message, immediately followed by the relevant control messages.

**Test Setup:** Connect the RUT, TR1, and Rx1 according to Figure 2.6. Enable PIM-SM on both the RUT and TR1.

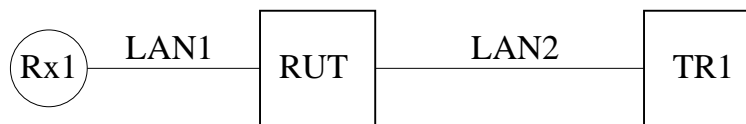


Figure 2.6: Generation ID option test setup

**Procedure:**

*Part A: Transmission of a PIM Hello message containing a Generation ID option.*

1. Start the RUT.
2. Observe the messages transmitted by the RUT on LAN2 for at least `Triggered_Hello_Delay + 3 * Hello_Holdtime` (i.e., (5 sec) + 3 \* (105 sec)).
3. Restart the RUT interface that connects the RUT to LAN2.
4. Observe the messages transmitted by the RUT on LAN2 for at least `Triggered_Hello_Delay` (5 sec).
5. Restart the RUT.
6. Observe the messages transmitted by the RUT on LAN2 for at least `Triggered_Hello_Delay` (5 sec).

*Part B: Reception of a PIM Hello message containing a Generation ID option.*

1. Start both the RUT and TR1.
2. Observe the messages transmitted by the RUT on LAN2.
3. Quit TR1 (i.e., stop it without graceful shutdown), and start it immediately.

*Part C: Reception of a PIM Hello message containing a Generation ID option when the RUT has pending Join messages to send.*

Configure both the RUT and TR1 such that it is the RP for group 224.0.1.20. This configuration can be either manual, or implicit through the Bootstrap mechanism. Configure Rx1 such that it is the receiver for group 224.0.1.20.

1. Start both the RUT and TR1. If necessary, wait until the RP-set in the RUT and TR1 converges.
2. Start Rx1, and observe the Join state in the RUT and TR1.
3. Observe the messages transmitted by the RUT on LAN2.
4. Quit TR1 (*i.e.*, stop it without graceful shutdown), and start it immediately.

### **Observable Results:**

*Part A:*

- After the RUT is started, after a random interval between 0 and `Triggered_Hello_Delay` (5 sec) the RUT should start transmitting Hello message with Generation ID option included. There should be a Hello message every `Hello_Holdtime` (105 sec), and the value of the Generation ID must be same for all messages.
- After the RUT interface that connects the RUT to LAN2 is restarted, after a random interval between 0 and `Triggered_Hello_Delay` (5 sec) the RUT should transmit on LAN2 a Hello message with Generation ID option included. The value of this Generation ID must be different from the value of the Hello message before the restart.
- After the RUT is restarted, after a random interval between 0 and `Triggered_Hello_Delay` (5 sec) the RUT should transmit on LAN2 a Hello message with Generation ID option included. The value of this Generation ID must be different from the value of the Hello message before the restart.

*Part B:*

- After the RUT receives the first Hello message from TR1 that has different Generation ID from the one before the restart, after a random interval between 0 and `Triggered_Hello_Delay` (5 sec) the RUT should transmit on LAN2 a Hello message.

*Part C:*

- After the RUT receives the first Hello message from TR1 that has different Generation ID from the one before the restart, the RUT should transmit immediately on LAN2 a Hello message followed by a PIM Join/Prune message with group 224.0.1.20 included in the list of joined groups.

**Possible Problems:** None.

## 2.7 Two-Way Neighbor Adjacency Without Hello Messages

**Purpose:** Verify that a router can be configured to form a two-way neighbor adjacency even if no Hello message was received.

### References:

- draft-ietf-pim-sm-v2-new-05 – Sections 4.3.1, and 4.5
- draft-ietf-pim-sm-bsr-03 – Section 3

**Discussion:** The following PIM control messages should only be accepted for processing if they come from a known PIM neighbor: Join/Prune, Bootstrap, Assert, Graft, and Graft-Ack. A PIM router hears about PIM neighbors through PIM Hello messages. However, some older PIM implementations incorrectly fail to send Hello messages on point-to-point interfaces. Hence, the protocol specification recommends that a configuration option should be provided to allow interoperation with such old routers (disabled by default). More specifically, if the option is enabled, then the above PIM control messages should be accepted from a neighbor even if no Hello message was received first from that neighbor.

**Test Setup:** Connect the RUT, TR1, S1, and Rx1 according to Figure 2.7. Enable PIM-SM on both TR1 and the RUT. Configure TR1 as a Candidate-BSR, and the RUT as a Candidate-RP. Modify or configure TR1 such that it never sends PIM Hello messages. Configure Rx1 and S1 such that Rx1 is a receiver, and S1 is a sender, both for group 224.0.1.20.



Figure 2.7: Two-way neighbor adjacency without Hello messages test setup

### Procedure:

1. Start TR1 and the RUT.
2. Observe the messages transmitted by TR1 and the RUT, and the neighbor and Bootstrap state information in the RUT.
3. Wait until TR1 transmits 2-3 Bootstrap messages.
4. Enable the interoperability option in the RUT (without restarting it), such that the RUT would accept PIM control messages from TR1 even if TR1 does not send Hello messages.
5. Wait until TR1 transmits 2-3 Bootstrap messages.
6. Start Rx1.
7. Start S1.

### Observable Results:

- After TR1 and the RUT are started, the RUT should start transmitting PIM Hello messages on LAN2.
- After TR1 receives the first Hello message from the RUT, TR1 should unicast a Bootstrap message to the RUT. After that it start transmitting periodically only Bootstrap messages on LAN2.
- Each Bootstrap message received by the RUT should be ignored because it comes from an unknown neighbor. Therefore, the RUT should not have a BSR:

```
Xorp> show pim bootstrap
Active zones:
BSR          Pri LocalAddress      Pri State      Timeout SZTimeout
Expiring zones:
BSR          Pri LocalAddress      Pri State      Timeout SZTimeout
Configured zones:
BSR          Pri LocalAddress      Pri State      Timeout SZTimeout
0.0.0.0      0 0.0.0.0            0 Init        -1      -1
```

In addition, the neighbor state information in the RUT should be empty:

```
Xorp> show pim neighbors
Interface      DRpriority NeighborAddr      V Mode      Holdtime Timeout
```

- After the interoperability option in the RUT is enabled, the next Bootstrap message from TR1 should be accepted by the RUT. As a result, the Bootstrap state in the RUT should show that TR1 is the BSR:

```
Xorp> show pim bootstrap
Active zones:
BSR          Pri LocalAddress      Pri State      Timeout SZTimeout
10.2.0.1     1 0.0.0.0            0 AcceptPreferred 74      1444
```

Eventually, the neighbor state information in the RUT may show TR1. If this is the case, the state information in the RUT for TR1 should be refreshed by each Bootstrap originated by TR1:

```
Xorp> show pim neighbors
Interface      DRpriority NeighborAddr      V Mode      Holdtime Timeout
dc2           none 10.2.0.1          2 Sparse      210      164
```

- After Rx1 is started, TR1 should send PIM Join message for group 224.0.1.20 on LAN2 toward the RP (the RUT).
- After S1 is started, the multicast data packets originated by it should be forwarded by the RUT and TR1 to Rx1.

**Possible Problems:** None.

## Test Group 3

# PIM Register Messages

**Scope:** Test sending and receiving of PIM Register messages.

**Overview:** The Designated Router (DR) on a LAN or point-to-point link encapsulates multicast packets from local sources to the RP for the relevant group unless it recently received a Register Stop message for that (S,G) or (\*,G) from the RP. When the DR receives a Register Stop message from the RP, it starts a Register Stop timer to maintain this state. Just before the Register Stop timer expires, the DR sends a Null-Register message to the RP to allow the RP to refresh the Register Stop information at the DR. If the Register Stop timer actually expires, the DR will resume encapsulating packets from the source to the RP.

### 3.1 Register Messages Transmission

**Purpose:** Verify that a DR properly sends Register messages.

**References:**

- draft-ietf-pim-sm-v2-new-05 – Section 4.4.1

**Discussion:** The DR encapsulates multicast packets from local sources into PIM Register messages, and unicasts them to the RP for the relevant multicast group.

**Test Setup:** Connect the RUT, TR1, TR2, S1, and Rx1 according to Figure 3.1. Configure the RUT, TR1, and TR2 such that TR1 is the RP for group 224.0.1.20, and such that it never attempts to switch to the shortest-path tree by originating an (S,G) SPT Join message toward a source. Enable PIM-SM on the RUT, TR1, and TR2. Configure Rx1 and S1 such that Rx1 is a receiver, and S1 is a sender, both for group 224.0.1.20.

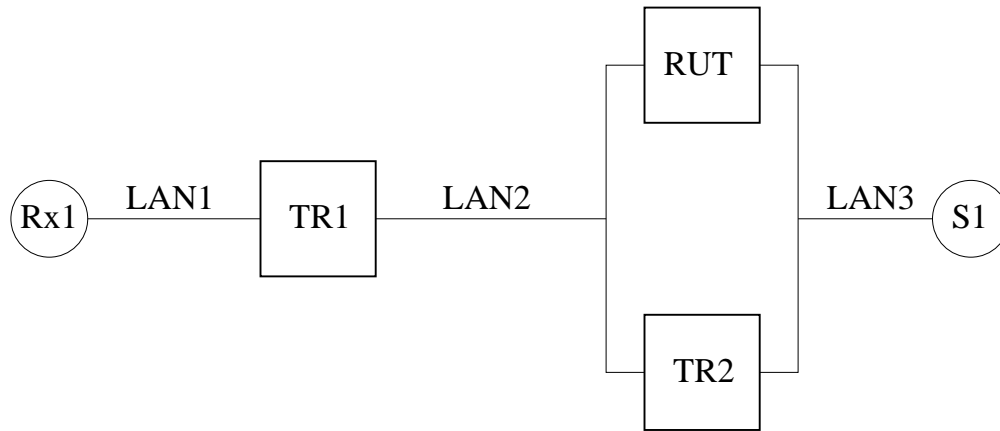


Figure 3.1: Register messages transmission test setup

**Procedure:**

*Part A: Transmission of Register messages.*

1. Configure the RUT such that it is the DR on LAN3.
2. Start the RUT, TR1, and TR2. If necessary, wait until the RP-set in the RUT, TR1, and TR1 converges.
3. Start Rx1.
4. Observe the messages transmitted by the RUT and TR2 on LAN2.
5. Start S1.

*Part B: Non-transmission of Register messages.*

The procedure is same as in Part A, except that TR1 instead of the RUT is the DR on LAN3.

*Part C: Switching between transmission and non-transmission of Register messages.*



1. Configure the RUT such that it is the DR on LAN3.
2. Start the RUT, TR1, and TR2. If necessary, wait until the RP-set in the RUT, TR1, and TR1 converges.
3. Start Rx1.
4. Observe the messages transmitted by the RUT and TR2 on LAN2.
5. Start S1.
6. Reconfigure the RUT (without stopping it), such that TR2 is the DR on LAN3.
7. Reconfigure the RUT (without stopping it), such that it again is the DR on LAN3.

*Part D: Handling of RegisterStop(S,G) messages at the DR.*

1. Start the RUT and TR1 (note that in this part we do not use TR2). If necessary, wait until the RP-set in the RUT and TR1 converges.
2. Start Rx1.
3. Observe the messages transmitted by the RUT on LAN2.
4. Start S1.
5. Stop Rx1.
6. Start Rx1.

## **Observable Results:**

*Part A:*

After S1 is started, the RUT should start encapsulating the data packets transmitted by S1 in PIM Register messages, and unicast them to the RP (TR1, that should decapsulate and forward them to Rx1).

*Part B:*

After S1 is started, the RUT should NOT encapsulate the data packets transmitted by S1 in PIM Register messages. Instead, TR2 should encapsulate and unicast them to the RP (TR1, that should decapsulate and forward them to Rx1).

*Part C:*

- After S1 is started, the RUT should start encapsulating the data packets transmitted by S1 in PIM Register messages, and unicast them to the RP (TR1, that should decapsulate and forward them to Rx1).
- After the RUT is reconfigured such that it is not the DR on LAN3, it should immediately stop transmitting PIM Register messages to the RP. Instead, the new DR (TR2) should start transmitting them.
- After the RUT is reconfigured such that it is again the DR on LAN3, it should immediately start transmitting PIM Register messages to the RP. The previous DR (TR2) should stop transmitting them.

*Part D:*

- After S1 is started, the RUT should start encapsulating the data packets transmitted by S1 in PIM Register messages, and unicast them to the RP (TR1, that should decapsulate and forward them to Rx1).
- After Rx1 is stopped, TR1 should send PIM Register Stop message to the RUT for each PIM Register message it receives from the RUT (including the PIM Null Register messages). After receiving the first PIM Register Stop message, the RUT should stop sending PIM Register messages to the RP (TR1) with the encapsulated data packets from S1. However, from time to time the RUT should be sending PIM Null Register messages to the RP (TR1) with time interval between two messages a random value chosen uniformly from the interval  
 $(0.5 * \text{Register\_Suppression\_Time}, 1.5 * \text{Register\_Suppression\_Time})$   
 $- \text{Register\_Probe\_Time}$   
 $= ( (0.5 * 60 \text{ sec}, 1.5 * 60 \text{ sec}) - 5 \text{ sec} )$ .  
 To each PIM Null Register message, the RP (TR1) should respond with a PIM Register Stop message, therefore the RUT should continue not to encapsulate the data packets from S1.
- After Rx1 is started again, the RP (TR1) should send an SPT (S,G) Join message on LAN2 toward the source. As a result, the data packets from S1 should be forwarded to the RP (TR1) natively instead of encapsulating them in PIM Register messages.

**Possible Problems:** In Part C, if the sender's rate is relatively high, there could be few packet losses at Rx1 when the DR on LAN3 changes.

## 3.2 Register Tunnel Interface

**Purpose:** Verify that a Register tunnel virtual interface is properly created, removed, or changed.

**References:**

- draft-ietf-pim-sm-v2-new-05 – Section 4.4.1

**Discussion:** When the DR has to encapsulate the data packets from local sources into PIM Register messages, and unicasts them to the RP for the relevant multicast group, it creates a Register tunnel virtual interface with its encapsulation target being the RP. If the DR should stop encapsulating the data packets, it removes the Register tunnel virtual interface. If the RP for the multicast group changes, the DR should update the Register tunnel virtual interface.

**Test Setup:** Connect the RUT, TR1, TR2, S1, and Rx1 according to Figure 3.2. Enable PIM-SM on the RUT, TR1, and TR2. In all the tests, configure the RP such that it never attempts to switch to the shortest-path tree by originating an (S,G) SPT Join message toward a source. Enable PIM-SM on the RUT, TR1, and TR2. Configure Rx1 and S1 such that Rx1 is a receiver, and S1 is a sender, both for group 224.0.1.20.

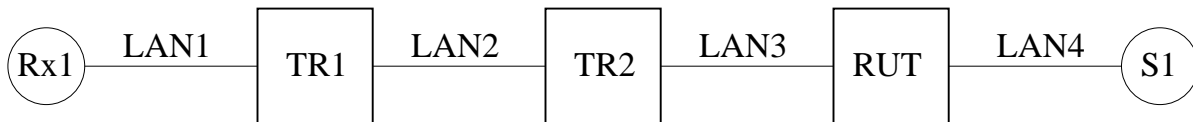


Figure 3.2: Register tunnel interface test setup

**Procedure:**

*Part A: Add and remove Register tunnel.*

1. Configure TR1 such that it is the RP.
2. Start the RUT, TR1, and TR2. If necessary, wait until the RP-set in the RUT, TR1, and TR2 converges.
3. Start Rx1.
4. Observe the Register state machine at the RUT, and the messages transmitted by the RUT on LAN3.
5. Start S1.
6. Stop Rx1.
7. Stop S1.

*Part B: Update Register tunnel.*

1. Configure TR1 such that it is the RP.
2. Start the RUT, TR1, and TR2. If necessary, wait until the RP-set in the RUT, TR1, and TR2 converges.
3. Start Rx1.
4. Observe the Register state machine at the RUT, and the messages transmitted by the RUT on LAN3.

5. Start S1.
6. Reconfigure TR1 and TR2 such that TR2 becomes the RP.

## Observable Results:

### Part A:

- After Rx1 is started, the Register state machine in the RUT for source S1 and group 224.0.1.20 should be in No Info state:

```
Xorp> show pim join 224.0.1.20
Group           Source           RP           Flags
```

Further, no PIM Register messages should be transmitted by the RUT.

- After S1 is started, the Register state machine in the RUT for source S1 and group 224.0.1.20 should be in Join state, and the Register tunnel virtual interface should be created between the RUT and the RP (TR1):

```
Xorp> show pim join 224.0.1.20
Group           Source           RP           Flags
224.0.1.20      10.4.0.2         10.2.0.1     SG SPT DirectlyConnectedS
  Upstream interface (S):    dc0
  Upstream interface (RP):   dc2
  Upstream MRIB next hop (RP): 10.3.0.1
  Upstream MRIB next hop (S): UNKNOWN
  Upstream RPF'(S,G):        UNKNOWN
  Upstream state:           Joined
  Register state:           RegisterJoin RegisterCouldRegister
  Join timer:                13
  Local receiver include WC: .....
  Local receiver include SG: .....
  Local receiver exclude SG: .....
  Joins RP:                  .....
  Joins WC:                   .....
  Joins SG:                   .....0
  Join state:                 .....0
  Prune state:                .....
  Prune pending state:       .....
  I am assert winner state:  .....
  I am assert loser state:   .....
  Assert winner WC:          .....
  Assert winner SG:          .....
  Assert lost WC:            .....
  Assert lost SG:            .....
  Assert lost SG_RPT:        .....
  Assert tracking SG:        ....0.....0
```

```

Could assert WC: .....
Could assert SG: .....O
I am DR: .....O.O.....
Immediate olist RP: .....
Immediate olist WC: .....
Immediate olist SG: .....O
Inherited olist SG: .....O
Inherited olist SG_RPT: .....
PIM include WC: .....
PIM include SG: .....
PIM exclude SG: .....

```

Further, each data packet from S1 should be encapsulated by the RUT in a PIM Register message and unicast to the RP (TR1).

- After Rx1 is stopped, the RP (TR1) should send PIM Register Stop message to the RUT for each PIM Register message it receives from the RUT (PIM Null Register messages excluded). After the RUT receives the first PIM Register Stop message, the Register tunnel virtual interface to the RP (TR1) should be in Prune state:

```

Xorp> show pim join 224.0.1.20
Group          Source          RP              Flags
224.0.1.20     10.4.0.2       10.2.0.1       SG DirectlyConnectedS
  Upstream interface (S):   dc0
  Upstream interface (RP):  dc2
  Upstream MRIB next hop (RP): 10.3.0.1
  Upstream MRIB next hop (S):  UNKNOWN
  Upstream RPF'(S,G):       UNKNOWN
  Upstream state:          NotJoined
  Register state:          RegisterPrune RegisterCouldRegister
  Join timer:              -1
  Local receiver include WC: .....
  Local receiver include SG: .....
  Local receiver exclude SG: .....
  Joins RP:                .....
  Joins WC:                 .....
  Joins SG:                 .....
  Join state:               .....
  Prune state:              .....
  Prune pending state:     .....
  I am assert winner state: .....
  I am assert loser state:  .....
  Assert winner WC:        .....
  Assert winner SG:        .....
  Assert lost WC:          .....
  Assert lost SG:          .....
  Assert lost SG_RPT:     .....

```

```

Assert tracking SG: .....
Could assert WC: .....
Could assert SG: .....
I am DR: .....O.O.....
Immediate olist RP: .....
Immediate olist WC: .....
Immediate olist SG: .....
Inherited olist SG: .....
Inherited olist SG_RPT: .....
PIM include WC: .....
PIM include SG: .....
PIM exclude SG: .....

```

Further, from time to time the RUT should be sending PIM Null Register messages to the RP (TR1) with time interval between two messages a random value chosen uniformly from the interval  $(0.5 * Register\_Suppression\_Time, 1.5 * Register\_Suppression\_Time) - Register\_Probe\_Time$  =  $((0.5 * 60 \text{ sec}, 1.5 * 60 \text{ sec}) - 5 \text{ sec})$ .

To each PIM Null Register message, TR1 should respond with a PIM Register Stop message, therefore the RUT should continue not to encapsulate the data packets from S1.

- After S1 is stopped, and after period of `Keepalive_Period` (210 sec), the state for source S1 and group 224.0.1.20 in the RUT should expire:

```

Xorp> show pim join 224.0.1.20
Group           Source           RP           Flags

```

Further, no PIM Register messages should be transmitted by the RUT.

*Part B:*

- The results until after S1 is started should be same as in Part A.
- After TR1 and TR2 are reconfigured such that TR2 becomes the RP, and after the RP-set in the RUT, TR1, and TR2 converges, the Register tunnel virtual interface in the RUT should be updated to point to the new RP (TR2). The Register state machine should still be in Join state:

```

Xorp> show pim join 224.0.1.20
Group           Source           RP           Flags
224.0.1.20      10.4.0.2         10.3.0.1     SG SPT DirectlyConnectedS
  Upstream interface (S):  dc0
  Upstream interface (RP): dc2
  Upstream MRIB next hop (RP): 10.3.0.1
  Upstream MRIB next hop (S): UNKNOWN
  Upstream RPF' (S,G):     UNKNOWN
  Upstream state:         Joined
  Register state:         RegisterJoin RegisterCouldRegister

```

```

Join timer:                               48
Local receiver include WC: .....
Local receiver include SG: .....
Local receiver exclude SG: .....
Joins RP: .....
Joins WC: .....
Joins SG: .....0
Join state: .....0
Prune state: .....
Prune pending state: .....
I am assert winner state: .....
I am assert loser state: .....
Assert winner WC: .....
Assert winner SG: .....
Assert lost WC: .....
Assert lost SG: .....
Assert lost SG_RPT: .....
Assert tracking SG: ....0.....0
Could assert WC: .....
Could assert SG: .....0
I am DR: ....0.0.....
Immediate olist RP: .....
Immediate olist WC: .....
Immediate olist SG: .....0
Inherited olist SG: .....0
Inherited olist SG_RPT: .....
PIM include WC: .....
PIM include SG: .....
PIM exclude SG: .....

```

Further, each data packet from S1 should be encapsulated by the RUT in a PIM Register message and unicast to the new RP (TR2).

**Possible Problems:** In Part B, if the RP-set converges such that the RUT learns that TR2 is the RP before TR2 itself, the PIM Register messages the RUT sends to TR2 may result in TR2 sending-back PIM Register Stop messages. Those PIM Register Stop messages would change the state for source S1 and group 224.0.1.20 in the RUT to Prune, and will stop the PIM Register encapsulation of the data packets from S1. Further, after TR2 learns that it is the RP, it may actually send an SPT (S,G) Join message on LAN2 toward the source. As a result, the data packets from S1 will be forwarded to Rx1 natively instead of encapsulating them in PIM Register messages.

### 3.3 Register Messages Reception

**Purpose:** Verify that an RP properly receives and decapsulates Register messages.

**References:**

- draft-ietf-pim-sm-v2-new-05 – Section 4.4.2

**Discussion:** If the RP for a multicast group receives Register messages for that group, and if there are receivers that have joined that group, the RP decapsulates the data packets, and forwards them natively to the receivers. If the multicast group has no receivers, the RP sends Register Stop to the originator of the Register messages.

**Test Setup:** Connect the RUT, TR1, TR2, S1, and Rx1 according to Figure 3.3. Enable PIM-SM on the RUT, TR1, and TR2. In all the tests, configure the RP such that it never attempts to switch to the shortest-path tree by originating an (S,G) SPT Join message toward a source. Enable PIM-SM on the RUT, TR1, and TR2. Configure Rx1 and S1 such that Rx1 is a receiver, and S1 is a sender, both for group 224.0.1.20.

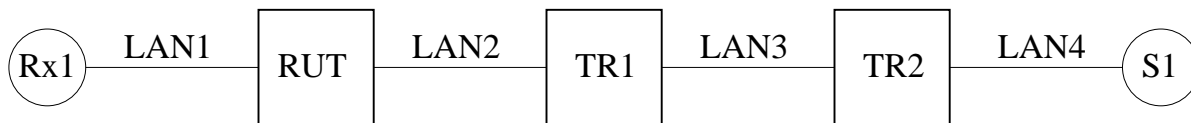


Figure 3.3: Register messages reception test setup

**Procedure:**

*Part A: Receiving Register messages at the RP when there is a receiver.*

1. Configure the RUT such that it is the RP.
2. Start the RUT, TR1, and TR2. If necessary, wait until the RP-set in the RUT, TR1, and TR2 converges.
3. Start Rx1.
4. Observe the messages transmitted by the RUT on LAN2, and the messages received by Rx1.
5. Start S1.
6. Stop Rx1.
7. Start Rx1.

*Part B: Receiving Register messages at the RP when there is no receiver.*

1. Configure the RUT such that it is the RP.
2. Start the RUT, TR1, and TR2. If necessary, wait until the RP-set in the RUT, TR1, and TR2 converges.
3. Observe the messages transmitted by the RUT on LAN2, and the messages received by Rx1.
4. Start S1.



5. Start Rx1.
6. Stop Rx1.
7. Start Rx1.

*Part C: Receiving Register messages at the non-RP.*

1. Manually configure TR2 only to appear that the RUT is the RP. However, configure the RUT itself, and TR1 such that for both of them appear that TR1 is the RP.
2. Start Rx1.
3. Start S1.

**Observable Results:**

*Part A:*

- After S1 is started, the data messages it transmits should be encapsulated in PIM Register messages by TR2, and sent to the RP (the RUT). The RUT should decapsulate them, and forward the inner multicast packets down the shared multicast tree to Rx1.
- After Rx1 is stopped, the RUT should send PIM Register Stop message to TR2 for each PIM Register message it receives from the RUT (including the PIM Null Register messages). After receiving the first PIM Register Stop message, TR2 should stop sending PIM Register messages to the RP (the RUT) with the encapsulated data packets from S1. However, from time to time TR2 should be sending PIM Null Register messages to the RP (the RUT) with time interval between two messages a random value chosen uniformly from the interval  
 $(0.5 * \text{Register\_Suppression\_Time}, 1.5 * \text{Register\_Suppression\_Time})$   
 $- \text{Register\_Probe\_Time}$   
 $= ( (0.5 * 60 \text{ sec}, 1.5 * 60 \text{ sec}) - 5 \text{ sec} )$ .  
 To each PIM Null Register message, the RP (the RUT) should respond with a PIM Register Stop message, therefore TR2 should continue not to encapsulate the data packets from S1.
- After Rx1 is started again, the RUT should send an SPT (S,G) Join message on LAN2 toward the source. As a result, the data packets from S1 should be forwarded to the RP (the RUT) natively instead of encapsulating them in PIM Register messages.

*Part B:*

- After S1 is started, the first one or few data messages it transmits should be encapsulated in PIM Register messages by TR2, and sent to the RP (the RUT). The RUT should respond to each PIM Register message with a PIM Register Stop message for source S1 and group 224.0.1.20. After TR2 receives the first Register Stop message, it should stop encapsulating the data packets and sending them to the RP (the RUT).
- From time to time TR2 should be sending PIM Null Register messages to the RP (the RUT) with time interval between two messages a random value chosen uniformly from the interval  
 $(0.5 * \text{Register\_Suppression\_Time}, 1.5 * \text{Register\_Suppression\_Time})$

- Register\_Probe\_Time  
= ( (0.5 \* 60 sec, 1.5 \* 60 sec) - 5 sec ).

To each PIM Null Register message, the RP (the RUT) should respond with a PIM Register Stop message, therefore TR2 should continue not to encapsulate the data packets from S1.

- After Rx1 is started, the RUT should send an SPT (S,G) Join message on LAN2 toward the source. As a result, the data packets from S1 should be forwarded to the RP (the RUT) natively instead of encapsulating them in PIM Register messages.
- After Rx1 is stopped, the RUT should send an SPT (S,G) Prune message on LAN2 toward the source. As a result, the data packets from S1 should not be forwarded by TR2 from LAN4 on LAN3.
- After Rx1 is started again, the RUT should send an SPT (S,G) Join message on LAN2 toward the source. As a result, the data packets from S1 should be again be forwarded to the RP (the RUT) natively instead of encapsulating them in PIM Register messages.

*Part C:*

- After S1 is started, the first one or few data messages it transmits should be encapsulated in PIM Register messages by TR2, and sent to the RUT, which TR2 thinks is the RP for group 224.0.1.20. However, because the RUT is not the RP, it should respond to each PIM Register message with a PIM Register Stop message for source S1 and group 224.0.1.20. After TR2 receives the first Register Stop message, it should stop encapsulating the data packets and sending them to the RUT.
- From time to time TR2 should be sending PIM Null Register messages to the RUT with time interval between two messages a random value chosen uniformly from the interval  
(0.5 \* Register\_Suppression\_Time, 1.5 \* Register\_Suppression\_Time)  
- Register\_Probe\_Time  
= ( (0.5 \* 60 sec, 1.5 \* 60 sec) - 5 sec ).

To each PIM Null Register message, the RUT should respond with a PIM Register Stop message, therefore TR2 should continue not to encapsulate the data packets from S1.

**Possible Problems:** None.

## Test Group 4

# PIM Join/Prune Messages

**Scope:** Test sending and receiving of PIM Join/Prune messages.

**Overview:** A PIM Join/Prune message consists of a list of groups and a list of Joined and Pruned source for each group. It is used by the router originating it to express interest (or lack of interest) in receiving multicast traffic for specific groups and sources.

A Join/Prune message may contain four types of entries. An (\*,G) Join/Prune entry is sent toward the RP for group G, and is used to express interest in receiving multicast packets from all sources for that group. An (S,G) Join/Prune entry is sent toward the specified source S, and is used to express interest in receiving multicast packets from the specified source S and group G. An (S,G,rpt) Prune entry is sent toward the RP for group G, and is used to stop receiving multicast packets on the shared tree for the specified source S (note that there is no (S,G,rpt) Join entry, because the (\*,G) entry is used for that purpose). An (\*,\*,RP) Join/Prune entry is sent toward the specified RP, and is used to express interest in receiving multicast packets for all multicast groups that use the specified RP as the root of their shared trees.

The Join/Prune messages are sent either periodic or are triggered by some events. Typically, all Join messages and the (S,G,rpt) Prune messages are sent periodically.

## 4.1 Receiving (\*,\*,RP) Join/Prune Messages

**Purpose:** Verify that (\*,\*,RP) Join/Prune messages are received and processed properly.

**References:**

- draft-ietf-pim-sm-v2-new-05 – Section 4.5.1

**Discussion:** When a PIM-SM router receives a PIM (\*,\*,RP) Join/Prune message, the per-interface (\*,\*,RP) state machine should be updated appropriately. Typically, if an (\*,\*,RP) Join message is received, the interface it was received on should be added to the set of outgoing interfaces to forward packets destined for any group handled by the specified RP. If that set has just become non-empty, an (\*,\*,RP) Join should be sent toward the RP. If an (\*,\*,RP) Prune message is received, typically it should remove the interface it was received on from the set of outgoing interfaces to forward packets destined to any group handled by the specified RP. If that set has just become empty, an (\*,\*,RP) Prune message should be sent toward the RP.

**Test Setup:** Connect the RUT, TR1, TR2, TR3, S1, and S2 according to Figure 4.1<sup>1</sup>. Enable PIM-SM on the RUT, TR1, TR2, and TR3. Configure S1 and S2 as senders for group 224.0.1.20.

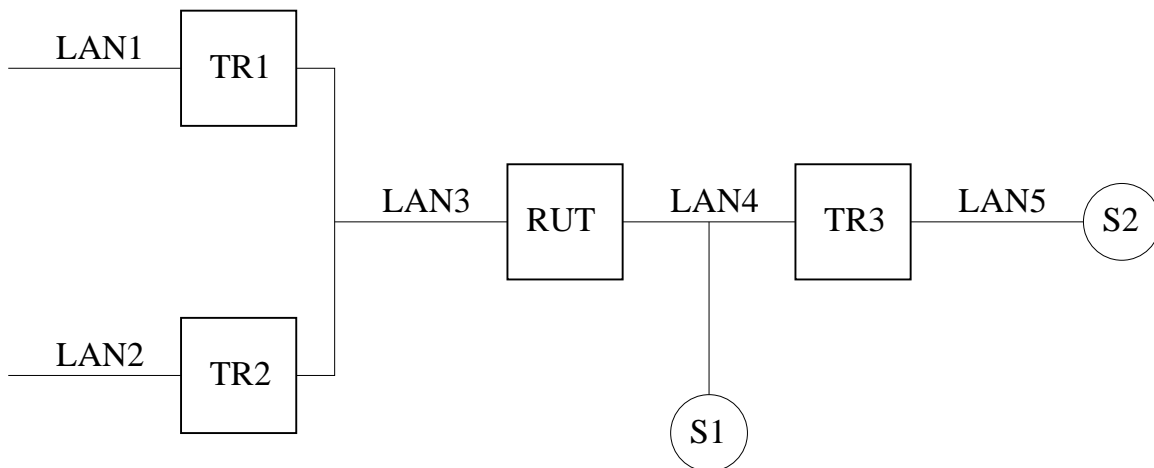


Figure 4.1: Receiving (\*,\*,RP) Join/Prune messages test setup

**Procedure:**

*Part A: Receiving (\*,\*,RP) Join messages at the RP.*

1. Configure the RUT as the RP. Start the RUT and TR1. If necessary, wait until the RP-set in the RUT and TR1 converges.
2. Start observing the downstream (\*,\*,RP) per-interface state machine at the RUT.
3. Compose an (\*,\*,RP) Join message at TR1 with the RP address set to the address of the RUT, and send it to the RUT. The `J/P_HoldTime` of the message should be set to its default value (210).
4. Start S1, and observe the data packets transmitted by the RUT on LAN3.

---

<sup>1</sup>Note that S1 is used only when TR3 and S2 are not used, hence it is not necessary to have two senders at same time.

5. Wait until the downstream (\*,\*,RP) per-interface state in the RUT expires.
6. Observe the data packets transmitted by the RUT on LAN3.

*Part B: Receiving (\*,\*,RP) Prune messages at the RP.*

1. Configure the RUT as the RP. Start the RUT and TR1. If necessary, wait until the RP-set in the RUT and TR1 converges.
2. Start observing the downstream (\*,\*,RP) per-interface state machine at the RUT.
3. Compose an (\*,\*,RP) Prune message at TR1 with the RP address set to the address of the RUT, and send it to the RUT. The `J/P_HoldTime` of the message should be set to its default value (210).
4. Compose an (\*,\*,RP) Join message at TR1 with the RP address set to the address of the RUT, and send it to the RUT. The `J/P_HoldTime` of the message should be set to its default value (210).
5. Start S1, and observe the data packets transmitted by the RUT on LAN3.
6. Compose an (\*,\*,RP) Prune message at TR1 with the RP address set to the address of the RUT, and send it to the RUT.
7. Observe the messages and data packets transmitted by the RUT on LAN3.

*Part C: Receiving (\*,\*,RP) Join messages at non-RP router.*

1. Configure TR3 as the RP. Start the RUT, TR1, and TR3. If necessary, wait until the RP-set in the RUT, TR1, and TR3 converges.
2. Start observing the downstream (\*,\*,RP) per-interface state machine at the RUT.
3. Compose an (\*,\*,RP) Join message at TR1 with the RP address set to the address of TR3, and send it to the RUT. The `J/P_HoldTime` of the message should be set to its default value (210).
4. Observe the messages transmitted by the RUT on LAN4.
5. Start S2, and observe the data packets transmitted by the RUT on LAN3.
6. Wait until the downstream (\*,\*,RP) per-interface state in the RUT expires.
7. Observe the data packets transmitted by the RUT on LAN3.

*Part D: Receiving (\*,\*,RP) Prune messages at non-RP router.*

1. Configure TR3 as the RP. Start the RUT, TR1, and TR3. If necessary, wait until the RP-set in the RUT, TR1, and TR3 converges.
2. Start observing the downstream (\*,\*,RP) per-interface state machine at the RUT.
3. Compose an (\*,\*,RP) Prune message at TR1 with the RP address set to the address of TR3, and send it to the RUT. The `J/P_HoldTime` of the message should be set to its default value (210).

4. Compose an (\*,\*,RP) Join message at TR1 with the RP address set to the address of TR3, and send it to the RUT. The  $J/P\_HoldTime$  of the message should be set to its default value (210).
5. Observe the messages transmitted by the RUT on LAN4.
6. Start S2, and observe the data packets transmitted by the RUT on LAN3.
7. Compose an (\*,\*,RP) Prune message at TR1 with the RP address set to the address of TR3, and send it to the RUT.
8. Observe the messages transmitted by the RUT on LAN3 and LAN4, and the data packets transmitted by the RUT on LAN3.

*Part E: Receiving (\*,\*,RP) Prune messages on a LAN.*

This part is same as Part D, except that in Step 1 we start TR2 as well.

*Part F: Receiving (\*,\*,RP) Join and Prune messages on a LAN.*

This part is same as Part E, except that in Step 2 we compose and send same (\*,\*,RP) Join message from TR2 as well.

### Observable Results:

*Part A:*

- After the (\*,\*,RP) Join message is received by the RUT, it should create the appropriate (\*,\*,RP) multicast routing entry for that RP, and the interface toward LAN3 should be in Join state and added to the set of outgoing interface for that entry:

```
Xorp> show pim join
Group          Source          RP              Flags
224.0.0.0      10.3.0.1        10.3.0.1        RP
  Upstream interface (S):  UNKNOWN
  Upstream interface (RP): register_vif
  Upstream MRIB next hop (RP): UNKNOWN
  Upstream MRIB next hop (S): UNKNOWN
  Upstream RPF' (*,G):    UNKNOWN
  Upstream RPF' (S,G):    UNKNOWN
  Upstream RPF' (S,G,rpt): UNKNOWN
  Upstream state:         Joined
  Register state:
  Join timer:             52
  Joins RP:               .....O.....
  Join state:              .....O.....
  Prune state:             .....
  Prune pending state:    .....
  Could assert WC:        .....O.....
  I am DR:                .....OO.....
  Immediate olist RP:     .....O.....
  Inherited olist SG:     .....
  Inherited olist SG_RPT: .....
```

- After S1 is started, the multicast data packets should be forwarded by the RUT on LAN3.
- After J/P\_HoldTime (210), the (\*,\*,RP) state machine for the interface that connects the RUT to LAN3 should timeout and transition to NoInfo state (*i.e.*, the (\*,\*,RP) entry in the RUT should expire). As a result of that transition, no multicast packets should be forwarded by the RUT on LAN3.

Part B:

- After the (\*,\*,RP) Prune message is received by the RUT, the (\*,\*,RP) state machine for the interface that connects the RUT to LAN3 should continue to stay in the NoInfo state (*i.e.*, no (\*,\*,RP) multicast routing entry should be created).
- After that, the results until after S1 is started should be same as in Part A.
- After the (\*,\*,RP) Prune message is received by the RUT, the (\*,\*,RP) state machine for the interface that connects the RUT to LAN3 should transition to NoInfo state (*i.e.*, the (\*,\*,RP) entry in the RUT should expire). As a result of that transition no multicast packets should be forwarded by the RUT on LAN3.

Part C:

- After the (\*,\*,RP) Join message is received by the RUT, it should create the appropriate (\*,\*,RP) multicast routing entry for that RP, and the interface toward LAN3 should be in Join state and added to the set of outgoing interface for that entry:

```
Xorp> show pim join
Group          Source          RP              Flags
224.0.0.0      10.9.0.1        10.9.0.1        RP
  Upstream interface (S):  UNKNOWN
  Upstream interface (RP):  dc1
  Upstream MRIB next hop (RP): 10.3.0.2
  Upstream MRIB next hop (S):  UNKNOWN
  Upstream RPF' (*,G):      UNKNOWN
  Upstream RPF' (S,G):      UNKNOWN
  Upstream RPF' (S,G,rpt):  UNKNOWN
  Upstream state:          Joined
  Register state:
  Join timer:              47
  Joins RP:                .....O.....
  Join state:              .....O.....
  Prune state:             .....
  Prune pending state:    .....
  Could assert WC:        .....O.....
  I am DR:                 .....O.....
  Immediate olist RP:     .....O.....
  Inherited olist SG:     .....
  Inherited olist SG_RPT: .....
```

Further, the RUT itself should originate an (\*,\*,RP) Join message toward the RP (TR3).

- After S2 is started, the multicast data packets forwarded by TR3 on LAN4 should be forwarded by the RUT on LAN3.
- After `J/P_HoldTime` (210), the `(*,* ,RP)` state machine for the interface that connects the RUT to LAN3 should timeout and transition to NoInfo state (*i.e.*, the `(*,* ,RP)` entry in the RUT should expire). As a result of that transition, the RUT should send `(*,* ,RP)` Prune message toward the RP (TR3), and no multicast packets should be forwarded by the RUT on LAN3.

*Part D:*

- After the `(*,* ,RP)` Prune message is received by the RUT, the `(*,* ,RP)` state machine for the interface that connects the RUT to LAN3 should continue to stay in the NoInfo state (*i.e.*, no `(*,* ,RP)` multicast routing entry should be created).
- After that, the results until after S2 is started should be same as in Part C.
- After the `(*,* ,RP)` Prune message from TR1 is received by the RUT, the `(*,* ,RP)` state machine for the interface that connects the RUT to LAN3 should transition to NoInfo state (*i.e.*, the `(*,* ,RP)` entry in the RUT should expire). As a result of that transition, the RUT should send `(*,* ,RP)` Prune message toward the RP (TR3), and no multicast packets should be forwarded by the RUT on LAN3. Note that because the RUT has only one PIM neighbor on LAN3, it does not need to send `(*,* ,RP)` PruneEcho on LAN3.

*Part E:*

- The results until after S2 is started should be same as in Part C and D.
- After the `(*,* ,RP)` Prune message from TR1 is received by the RUT, the `(*,* ,RP)` state machine for the interface that connects the RUT to LAN3 should transition to PrunePending state (the reason that it does not transit to NoInfo instead is because the RUT has more than one PIM neighbors on that interface). After `J/P_Override_Interval(I)` (3 sec), the PrunePending timer on that interface should expire, and the `(*,* ,RP)` state machine for the interface should send `(*,* ,RP)` PruneEcho on LAN3 and transit to NoInfo state (*i.e.*, the `(*,* ,RP)` entry in the RUT should expire). As a result of that transition, the RUT should send `(*,* ,RP)` Prune message toward the RP (TR3), and no multicast packets should be forwarded by the RUT on LAN3.

*Part F:*

- The results until after S2 is started should be same as in Part C, D, and E.
- After the `(*,* ,RP)` Prune message from TR1 is received by the RUT, the `(*,* ,RP)` state machine for the interface that connects the RUT to LAN3 should transition to PrunePending state (the reason that it does not transit to NoInfo instead is because the RUT has more than one PIM neighbors on that interface). Assuming that TR2 has `(*,* ,RP)` multicast routing entry in Joined state for the RP it had originated `(*,* ,RP)` Join message earlier, then after very short random interval `t_override` (`rand(0, 2.5)` sec) TR2 should send another `(*,* ,RP)` Join message to the RUT. After the RUT receives that `(*,* ,RP)` Join message from TR2, the `(*,* ,RP)` state machine for the interface that connects the RUT to LAN3 should transition back to Join state. As a result of that transition, the RUT should not send `(*,* ,RP)` Prune message toward the RP (TR3), and the multicast packets should continue to be forwarded by the RUT on LAN3.

**Possible Problems:** None.



## 4.2 Receiving (\*,G) Join/Prune Messages

**Purpose:** Verify that (\*,G) Join/Prune messages are received and processed properly.

**References:**

- draft-ietf-pim-sm-v2-new-05 – Section 4.5.2

**Discussion:** When a PIM-SM router receives a PIM (\*,G) Join/Prune message, the per-interface (\*,G) state machine should be updated appropriately. Typically, if an (\*,G) Join message is received, the interface it was received on should be added to the set of outgoing interfaces to forward packets destined for the specified multicast group address. If that set has just become non-empty, an (\*,G) Join should be sent toward the RP for that group. If an (\*,G) Prune message is received, typically it should remove the interface it was received on from the set of outgoing interfaces for that group. If that set has just become empty, an (\*,G) Prune message should be sent toward the RP for that group.

**Test Setup:** Connect the RUT, TR1, TR2, TR3, S1, and S2 according to Figure 4.2<sup>2</sup>. Enable PIM-SM on the RUT, TR1, TR2, and TR3. Configure S1 and S2 as senders for group 224.0.1.20.

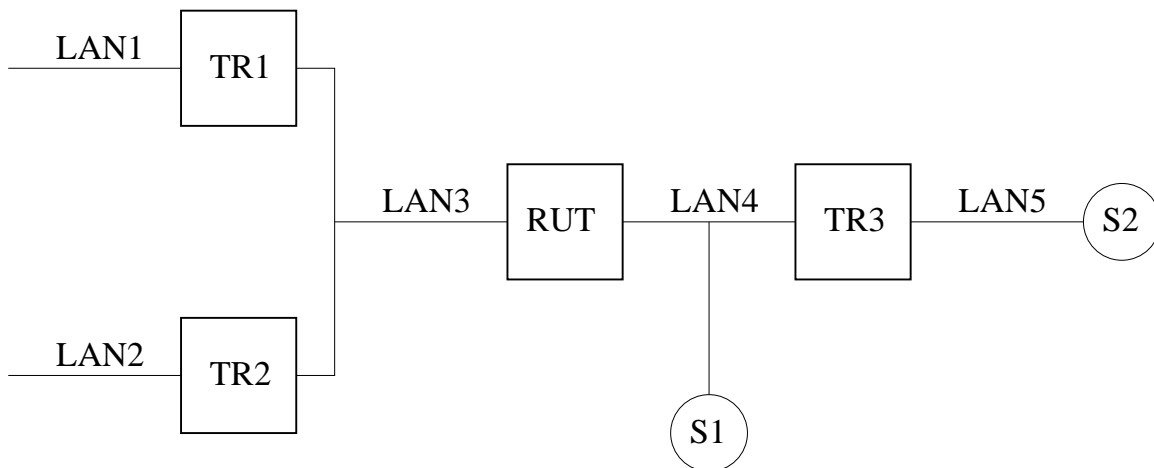


Figure 4.2: Receiving (\*,G) Join/Prune messages test setup

**Procedure:**

*Part A: Receiving (\*,G) Join messages at the RP.*

1. Configure the RUT as the RP. Start the RUT and TR1. If necessary, wait until the RP-set in the RUT and TR1 converges.
2. Start observing the downstream (\*,G) per-interface state machine at the RUT.
3. Compose an (\*,G) Join message at TR1 with the RP address set to the address of the RUT, and send it to the RUT. The `J/P_HoldTime` of the message should be set to its default value (210).
4. Start S1, and observe the data packets transmitted by the RUT on LAN3.

---

<sup>2</sup>Note that S1 is used only when TR3 and S2 are not used, hence it is not necessary to have two senders at same time.

5. Wait until the downstream (\*,G) per-interface state in the RUT expires.
6. Observe the data packets transmitted by the RUT on LAN3.

*Part B: Receiving (\*,G) Prune messages at the RP.*

1. Configure the RUT as the RP. Start the RUT and TR1. If necessary, wait until the RP-set in the RUT and TR1 converges.
2. Start observing the downstream (\*,G) per-interface state machine at the RUT.
3. Compose an (\*,G) Prune message at TR1 with the RP address set to the address of the RUT, and send it to the RUT. The `J/P_HoldTime` of the message should be set to its default value (210).
4. Compose an (\*,G) Join message at TR1 with the RP address set to the address of the RUT, and send it to the RUT. The `J/P_HoldTime` of the message should be set to its default value (210).
5. Start S1, and observe the data packets transmitted by the RUT on LAN3.
6. Compose an (\*,G) Prune message at TR1 with the RP address set to the address of the RUT, and send it to the RUT.
7. Observe the messages and data packets transmitted by the RUT on LAN3.

*Part C: Receiving (\*,G) Join messages at non-RP router.*

1. Configure TR3 as the RP. Start the RUT, TR1, and TR3. If necessary, wait until the RP-set in the RUT, TR1, and TR3 converges.
2. Start observing the downstream (\*,G) per-interface state machine at the RUT.
3. Compose an (\*,G) Join message at TR1 with the RP address set to the address of TR3, and send it to the RUT. The `J/P_HoldTime` of the message should be set to its default value (210).
4. Observe the messages transmitted by the RUT on LAN4.
5. Start S2, and observe the data packets transmitted by the RUT on LAN3.
6. Wait until the downstream (\*,G) per-interface state in the RUT expires.
7. Observe the data packets transmitted by the RUT on LAN3.

*Part D: Receiving (\*,G) Prune messages at non-RP router.*

1. Configure TR3 as the RP. Start the RUT, TR1, and TR3. If necessary, wait until the RP-set in the RUT, TR1, and TR3 converges.
2. Start observing the downstream (\*,G) per-interface state machine at the RUT.
3. Compose an (\*,G) Prune message at TR1 with the RP address set to the address of TR3, and send it to the RUT. The `J/P_HoldTime` of the message should be set to its default value (210).

4. Compose an (\*,G) Join message at TR1 with the RP address set to the address of TR3, and send it to the RUT. The `J/P_HoldTime` of the message should be set to its default value (210).
5. Observe the messages transmitted by the RUT on LAN4.
6. Start S2, and observe the data packets transmitted by the RUT on LAN3.
7. Compose an (\*,G) Prune message at TR1 with the RP address set to the address of TR3, and send it to the RUT.
8. Observe the messages transmitted by the RUT on LAN3 and LAN4, and the data packets transmitted by the RUT on LAN3.

*Part E: Receiving (\*,G) Prune messages on a LAN.*

This part is same as Part D, except that in Step 1 we start TR2 as well.

*Part F: Receiving (\*,G) Join and Prune messages on a LAN.*

This part is same as Part E, except that in Step 2 we compose and send same (\*,G) Join message from TR2 as well.

*Part G: Receiving (\*,G) Join messages with mismatch RP address at non-RP router*

1. Configure TR3 as the RP. Start the RUT, TR1, and TR3. If necessary, wait until the RP-set in the RUT, TR1, and TR3 converges.
2. Start observing the downstream (\*,G) per-interface state machine at the RUT.
3. Compose an (\*,G) Join message at TR1 with the RP address set to an address that is different from the address of TR3, but such that TR3 is the next-hop router toward it (*e.g.*, the address of S), and send it to the RUT. The `J/P_HoldTime` of the message should be set to its default value (210).
4. Observe the messages transmitted by the RUT on LAN4.

**Observable Results:**

*Part A:*

- After the (\*,G) Join message is received by the RUT, it should create the appropriate (\*,G) multicast routing entry for that group, and the interface toward LAN3 should be in Join state and added to the set of outgoing interface for that entry:

```
Xorp> show pim join
Group          Source          RP              Flags
224.0.1.20    0.0.0.0         10.3.0.1       WC
  Upstream interface (RP):  register_vif
  Upstream MRIB next hop (RP): UNKNOWN
  Upstream RPF' (*,G):    UNKNOWN
  Upstream state:         Joined
  Register state:
  Join timer:             42
  Local receiver include WC: .....
```

```

Joins RP: .....
Joins WC: .....O.....
Join state: .....O.....
Prune state: .....
Prune pending state: .....
I am assert winner state: .....
I am assert loser state: .....
Assert winner WC: .....
Assert lost WC: .....
Assert tracking WC: .....O.....O
Could assert WC: .....O.....
I am DR: .....OO.....
Immediate olist RP: .....
Immediate olist WC: .....O.....
Inherited olist SG: .....
Inherited olist SG_RPT: .....
PIM include WC: .....

```

- After S1 is started, the multicast data packets should be forwarded by the RUT on LAN3.
- After J/P\_HoldTime (210), the (\*,G) state machine for the interface that connects the RUT to LAN3 should timeout and transition to NoInfo state (*i.e.*, the (\*,G) entry in the RUT should expire). As a result of that transition, no multicast packets should be forwarded by the RUT on LAN3.

*Part B:*

- After the (\*,G) Prune message is received by the RUT, the (\*,G) state machine for the interface that connects the RUT to LAN3 should continue to stay in the NoInfo state (*i.e.*, no (\*,G) multicast routing entry should be created).
- After that, the results until after S1 is started should be same as in Part A.
- After the (\*,G) Prune message is received by the RUT, the (\*,G) state machine for the interface that connects the RUT to LAN3 should transition to NoInfo state (*i.e.*, the (\*,G) entry in the RUT should expire). As a result of that transition no multicast packets should be forwarded by the RUT on LAN3.

*Part C:*

- After the (\*,G) Join message is received by the RUT, it should create the appropriate (\*,G) multicast routing entry for that group, and the interface toward LAN3 should be in Join state and added to the set of outgoing interface for that entry:

```

Xorp> show pim join
Group          Source          RP              Flags
224.0.1.20    0.0.0.0        10.4.0.1       WC
  Upstream interface (RP):  dcl
  Upstream MRIB next hop (RP): 10.3.0.2
  Upstream RPF' (*,G):      10.3.0.2

```

```

Upstream state:           Joined
Register state:
Join timer:              50
Local receiver include WC: .....
Joins RP:                .....
Joins WC:                .....O.....
Join state:              .....O.....
Prune state:             .....
Prune pending state:    .....
I am assert winner state: .....
I am assert loser state: .....
Assert winner WC:       .....
Assert lost WC:         .....
Assert tracking WC:     .....OO.....
Could assert WC:        .....O.....
I am DR:                 .....O.....
Immediate olist RP:     .....
Immediate olist WC:     .....O.....
Inherited olist SG:     .....
Inherited olist SG_RPT: .....
PIM include WC:         .....

```

Further, the RUT itself should originate an (\*,G) Join message toward the RP (TR3).

- After S2 is started, the multicast data packets forwarded by TR3 on LAN4 should be forwarded by the RUT on LAN3.
- After J/P\_HoldTime (210), the (\*,G) state machine for the interface that connects the RUT to LAN3 should timeout and transition to NoInfo state (*i.e.*, the (\*,G) entry in the RUT should expire). As a result of that transition, the RUT should send (\*,G) Prune message toward the RP (TR3), and no multicast packets should be forwarded by the RUT on LAN3.

*Part D:*

- After the (\*,G) Prune message is received by the RUT, the (\*,G) state machine for the interface that connects the RUT to LAN3 should continue to stay in the NoInfo state (*i.e.*, no (\*,G) multicast routing entry should be created).
- After that, the results until after S2 is started should be same as in Part C.
- After the (\*,G) Prune message from TR1 is received by the RUT, the (\*,G) state machine for the interface that connects the RUT to LAN3 should transition to NoInfo state (*i.e.*, the (\*,G) entry in the RUT should expire). As a result of that transition, the RUT should send (\*,G) Prune message toward the RP (TR3), and no multicast packets should be forwarded by the RUT on LAN3. Note that because the RUT has only one PIM neighbor on LAN3, it does not need to send (\*,G) PruneEcho on LAN3.

*Part E:*

- The results until after S2 is started should be same as in Part C and D.

- After the (\*,G) Prune message from TR1 is received by the RUT, the (\*,G) state machine for the interface that connects the RUT to LAN3 should transition to PrunePending state (the reason that it does not transit to NoInfo instead is because the RUT has more than one PIM neighbors on that interface). After  $J/P\_Override\_Interval(I)$  (3 sec), the PrunePending timer on that interface should expire, and the (\*,G) state machine for the interface should send (\*,G) PruneEcho on LAN3 and transit to NoInfo state (*i.e.*, the (\*,G) entry in the RUT should expire). As a result of that transition, the RUT should send (\*,G) Prune message toward the RP (TR3), and no multicast packets should be forwarded by the RUT on LAN3.

*Part F:*

- The results until after S2 is started should be same as in Part C, D, and E.
- After the (\*,G) Prune message from TR1 is received by the RUT, the (\*,G) state machine for the interface that connects the RUT to LAN3 should transition to PrunePending state (the reason that it does not transit to NoInfo instead is because the RUT has more than one PIM neighbors on that interface). Assuming that TR2 has (\*,G) multicast routing entry in Joined state for the RP it had originated (\*,G) Join message earlier, then after very short random interval  $t\_override$  (rand(0, 2.5) sec) TR2 should send another (\*,G) Join message to the RUT. After the RUT receives that (\*,G) Join message from TR2, the (\*,G) state machine for the interface that connects the RUT to LAN3 should transition back to Join state. As a result of that transition, the RUT should not send (\*,G) Prune message toward the RP (TR3), and the multicast packets should continue to be forwarded by the RUT on LAN3.

*Part G:*

- After the RUT receives the (\*,G) Join message with the mismatch RP address inside, it should silently ignore it without any further action.

**Possible Problems:** None.

### 4.3 Receiving (S,G) Join/Prune Messages

**Purpose:** Verify that (S,G) Join/Prune messages are received and processed properly.

**References:**

- draft-ietf-pim-sm-v2-new-05 – Section 4.5.3

**Discussion:** When a PIM-SM router receives a PIM (S,G) Join/Prune message, the per-interface (S,G) state machine should be updated appropriately. Typically, if an (S,G) Join message is received, the interface it was received on should be added to the set of outgoing interfaces to forward packets destined for the specified source address and multicast group. If that set has just become non-empty, an (S,G) Join should be sent toward the specified source. If an (S,G) Prune message is received, typically it should remove the interface it was received on from the set of outgoing interfaces for that source and group. If that set has just become empty, an (S,G) Prune message should be sent toward the source.

**Test Setup:** Connect the RUT, TR1, TR2, TR3, S1, and S2 according to Figure 4.3<sup>3</sup>. Enable PIM-SM on the RUT, TR1, TR2, and TR3. Configure S1 and S2 as senders for group 224.0.1.20.

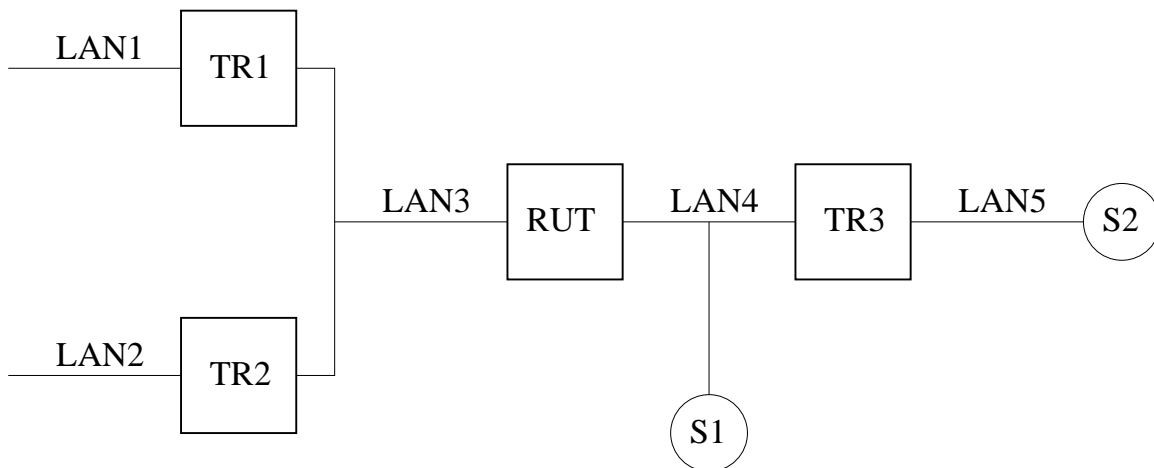


Figure 4.3: Receiving (S,G) Join/Prune messages test setup

**Procedure:**

*Part A: Receiving (S,G) Join messages at the first-hop router.*

1. Configure the RUT as the RP. Start the RUT and TR1. If necessary, wait until the RP-set in the RUT and TR1 converges.
2. Start observing the downstream (S,G) per-interface state machine at the RUT.
3. Compose an (S,G) Join message at TR1 with the source address set to the address of S1, and send it to the RUT. The `J/P_HoldTime` of the message should be set to its default value (210).
4. Start S1, and observe the data packets transmitted by the RUT on LAN3.

---

<sup>3</sup>Note that S1 is used only when TR3 and S2 are not used, hence it is not necessary to have two senders at same time.

5. Wait until the downstream (S,G) per-interface state in the RUT expires.
6. Observe the data packets transmitted by the RUT on LAN3.
7. Stop S1.

*Part B: Receiving (S,G) Prune messages at the first-hop router.*

1. Configure the RUT as the RP. Start the RUT and TR1. If necessary, wait until the RP-set in the RUT and TR1 converges.
2. Start observing the downstream (S,G) per-interface state machine at the RUT.
3. Compose an (S,G) Prune message at TR1 with the source address set to the address of S1, and send it to the RUT. The `J/P_HoldTime` of the message should be set to its default value (210).
4. Compose an (S,G) Join message at TR1 with the source address set to the address of S1, and send it to the RUT. The `J/P_HoldTime` of the message should be set to its default value (210).
5. Start S1, and observe the data packets transmitted by the RUT on LAN3.
6. Compose an (S,G) Prune message at TR1 with the source address set to the address of S1, and send it to the RUT.
7. Observe the messages and data packets transmitted by the RUT on LAN3.
8. Stop S1.

*Part C: Receiving (S,G) Join messages at non-first-hop router.*

1. Configure TR3 as the RP. Start the RUT, TR1, and TR3. If necessary, wait until the RP-set in the RUT, TR1, and TR3 converges.
2. Start observing the downstream (S,G) per-interface state machine at the RUT.
3. Compose an (S,G) Join message at TR1 with the source address set to the address of S2, and send it to the RUT. The `J/P_HoldTime` of the message should be set to its default value (210).
4. Observe the messages transmitted by the RUT on LAN4.
5. Start S2, and observe the data packets transmitted by the RUT on LAN3.
6. Wait until the downstream (S,G) per-interface state in the RUT expires.
7. Observe the data packets transmitted by the RUT on LAN3.
8. Stop S2.

*Part D: Receiving (S,G) Prune messages at non-first-hop router.*

1. Configure TR3 as the RP. Start the RUT, TR1, and TR3. If necessary, wait until the RP-set in the RUT, TR1, and TR3 converges.



2. Start observing the downstream (S,G) per-interface state machine at the RUT.
3. Compose an (S,G) Prune message at TR1 with the source address set to the address of S2, and send it to the RUT. The J/P\_HoldTime of the message should be set to its default value (210).
4. Compose an (S,G) Join message at TR1 with the source address set to the address of S2, and send it to the RUT. The J/P\_HoldTime of the message should be set to its default value (210).
5. Observe the messages transmitted by the RUT on LAN4.
6. Start S2, and observe the data packets transmitted by the RUT on LAN3.
7. Compose an (S,G) Prune message at TR1 with the source address set to the address of S2, and send it to the RUT.
8. Observe the messages transmitted by the RUT on LAN3 and LAN4, and the data packets transmitted by the RUT on LAN3.
9. Stop S2.

*Part E: Receiving (S,G) Prune messages on a LAN.*

This part is same as Part D, except that in Step 1 we start TR2 as well.

*Part F: Receiving (S,G) Join and Prune messages on a LAN.*

This part is same as Part E, except that in Step 2 we compose and send same (S,G) Join message from TR2 as well.

## Observable Results:

*Part A:*

- After the (S,G) Join message is received by the RUT, it should create the appropriate (S,G) multicast routing entry for that source and group, and the interface toward LAN3 should be in Join state and added to the set of outgoing interface for that entry:

```
Xorp> show pim join
Group          Source          RP              Flags
224.0.1.20    10.3.0.2       10.3.0.1       SG DirectlyConnectedS
  Upstream interface (S):    dcl
  Upstream interface (RP):  register_vif
  Upstream MRIB next hop (RP): UNKNOWN
  Upstream MRIB next hop (S): UNKNOWN
  Upstream RPF' (S,G):      UNKNOWN
  Upstream state:           Joined
  Register state:           RegisterNoInfo RegisterNotCouldRegister
  Join timer:               51
  Local receiver include WC: .....
  Local receiver include SG: .....
  Local receiver exclude SG: .....
  Joins RP:                 .....
  Joins WC:                 .....
```

```

Joins SG: .....0.....
Join state: .....0.....
Prune state: .....
Prune pending state: .....
I am assert winner state: .....
I am assert loser state: .....
Assert winner WC: .....
Assert winner SG: .....
Assert lost WC: .....
Assert lost SG: .....
Assert lost SG_RPT: .....
Assert tracking SG: .....00.....
Could assert WC: .....
Could assert SG: .....
I am DR: .....00.....
Immediate olist RP: .....
Immediate olist WC: .....
Immediate olist SG: .....0.....
Inherited olist SG: .....0.....
Inherited olist SG_RPT: .....
PIM include WC: .....
PIM include SG: .....
PIM exclude SG: .....

```

- After S1 is started, the multicast data packets should be forwarded by the RUT on LAN3. In addition, the SPT flag for the entry should be set:

```

Xorp> show pim join
Group          Source          RP              Flags
224.0.1.20    10.3.0.2        10.3.0.1        SG SPT DirectlyConnectedS
  Upstream interface (S):  dcl
  Upstream interface (RP): register_vif
  Upstream MRIB next hop (RP): UNKNOWN
  Upstream MRIB next hop (S): UNKNOWN
  Upstream RPF'(S,G):     UNKNOWN
  Upstream state:         Joined
  Register state:         RegisterNoinfo RegisterNotCouldRegister
  Join timer:              19
  Local receiver include WC: .....
  Local receiver include SG: .....
  Local receiver exclude SG: .....
  Joins RP:                .....
  Joins WC:                .....
  Joins SG:                .....0.....
  Join state:              .....0.....
  Prune state:            .....
  Prune pending state:    .....

```

```

I am assert winner state: .....
I am assert loser state: .....
Assert winner WC: .....
Assert winner SG: .....
Assert lost WC: .....
Assert lost SG: .....
Assert lost SG_RPT: .....
Assert tracking SG: .....OO.....
Could assert WC: .....
Could assert SG: .....O.....
I am DR: .....OO.....
Immediate olist RP: .....
Immediate olist WC: .....
Immediate olist SG: .....O.....
Inherited olist SG: .....O.....
Inherited olist SG_RPT: .....
PIM include WC: .....
PIM include SG: .....
PIM exclude SG: .....

```

- After J/P\_HoldTime (210), the (S,G) state machine for the interface that connects the RUT to LAN3 should timeout and transition to NoInfo state. As a result of that transition, no multicast packets should be forwarded by the RUT on LAN3. However, the (S,G) entry itself should not be removed yet, because the directly-connected sender is still active:

```

Xorp> show pim join
Group          Source          RP              Flags
224.0.1.20    10.3.0.2       10.3.0.1       SG DirectlyConnectedS
  Upstream interface (S):    dc1
  Upstream interface (RP):   register_vif
  Upstream MRIB next hop (RP): UNKNOWN
  Upstream MRIB next hop (S): UNKNOWN
  Upstream RPF'(S,G):       UNKNOWN
  Upstream state:           NotJoined
  Register state:           RegisterNoInfo RegisterNotCouldRegister
  Join timer:                -1
  Local receiver include WC: .....
  Local receiver include SG: .....
  Local receiver exclude SG: .....
  Joins RP:                  .....
  Joins WC:                  .....
  Joins SG:                  .....
  Join state:                .....
  Prune state:               .....
  Prune pending state:      .....
  I am assert winner state: .....
  I am assert loser state:  .....

```

```

Assert winner WC: .....
Assert winner SG: .....
Assert lost WC: .....
Assert lost SG: .....
Assert lost SG_RPT: .....
Assert tracking SG: .....
Could assert WC: .....
Could assert SG: .....
I am DR: .....OO.....
Immediate olist RP: .....
Immediate olist WC: .....
Immediate olist SG: .....
Inherited olist SG: .....
Inherited olist SG_RPT: .....
PIM include WC: .....
PIM include SG: .....
PIM exclude WC: .....

```

- After the sender is stopped, and after it has been inactive for `Keepalive_Period` (210 sec), the (S,G) entry should expire.

*Part B:*

- After the (S,G) Prune message is received by the RUT, the (S,G) state machine for the interface that connects the RUT to LAN3 should continue to stay in the NoInfo state (*i.e.*, no (S,G) multicast routing entry should be created).
- After that, the results until after S1 is started should be same as in Part A.
- After the (S,G) Prune message is received by the RUT, the (S,G) state machine for the interface that connects the RUT to LAN3 should transition to NoInfo state. As a result of that transition no multicast packets should be forwarded by the RUT on LAN3. However, the (S,G) entry itself should not be removed yet, because the directly-connected sender is still active (see Part A).
- After the sender is stopped, and after it has been inactive for `Keepalive_Period` (210 sec), the (S,G) entry should expire.

*Part C:*

- After the (S,G) Join message is received by the RUT, it should create the appropriate (S,G) multicast routing entry for that source and group, and the interface toward LAN3 should be in Join state and added to the set of outgoing interface for that entry:

```

Xorp> show pim join
Group          Source          RP              Flags
224.0.1.20    10.4.0.2        10.4.0.1       SG
  Upstream interface (S):  dc1
  Upstream interface (RP): dc1

```

```

Upstream MRIB next hop (RP): 10.3.0.2
Upstream MRIB next hop (S): 10.3.0.2
Upstream RPF'(S,G):         10.3.0.2
Upstream state:              Joined
Register state:
Join timer:                   47
Local receiver include WC: .....
```

Local receiver include SG:	.....
Local receiver exclude SG:	.....
Joins RP:	.....
Joins WC:	.....
Joins SG:	.....O.....
Join state:	.....O.....
Prune state:	.....
Prune pending state:	.....
I am assert winner state:	.....
I am assert loser state:	.....
Assert winner WC:	.....
Assert winner SG:	.....
Assert lost WC:	.....
Assert lost SG:	.....
Assert lost SG_RPT:	.....
Assert tracking SG:	.....OO.....
Could assert WC:	.....
Could assert SG:	.....
I am DR:	.....O.....
Immediate olist RP:	.....
Immediate olist WC:	.....
Immediate olist SG:	.....O.....
Inherited olist SG:	.....O.....
Inherited olist SG_RPT:	.....
PIM include WC:	.....
PIM include SG:	.....
PIM exclude SG:	.....

Further, the RUT itself should originate an (S,G) Join message toward the source (S2).

- After S2 is started, the multicast data packets forwarded by TR3 on LAN4 should be forwarded by the RUT on LAN3. Further, the SPT-bit for the entry should be set:

```

Xorp> show pim join
Group          Source          RP              Flags
224.0.1.20    10.4.0.2       10.4.0.1       SG SPT
  Upstream interface (S):  dc1
  Upstream interface (RP): dc1
  Upstream MRIB next hop (RP): 10.3.0.2
  Upstream MRIB next hop (S): 10.3.0.2
```

```

Upstream RPF'(S,G):      10.3.0.2
Upstream state:         Joined
Register state:
Join timer:             19
Local receiver include WC: .....
Local receiver include SG: .....
Local receiver exclude SG: .....
Joins RP:               .....
Joins WC:                .....
Joins SG:                .....O.....
Join state:              .....O.....
Prune state:             .....
Prune pending state:    .....
I am assert winner state: .....
I am assert loser state: .....
Assert winner WC:        .....
Assert winner SG:        .....
Assert lost WC:          .....
Assert lost SG:          .....
Assert lost SG_RPT:      .....
Assert tracking SG:      .....OO.....
Could assert WC:         .....
Could assert SG:         .....O.....
I am DR:                 .....O.....
Immediate olist RP:      .....
Immediate olist WC:      .....
Immediate olist SG:      .....O.....
Inherited olist SG:      .....O.....
Inherited olist SG_RPT: .....
PIM include WC:          .....
PIM include SG:          .....
PIM exclude SG:         .....

```

- After J/P\_HoldTime (210), the (S,G) state machine for the interface that connects the RUT to LAN3 should timeout and transition to NoInfo state. As a result of that transition, the RUT should send (S,G) Prune message toward the source (S2), and no multicast packets should be forwarded by the RUT on LAN3. Note that if the implementation does not remove (S,G) entries that have the Keepalive Timer running, the entry may not be removed yet:

```

Xorp> show pim join
Group          Source          RP              Flags
224.0.1.20    10.4.0.2        10.4.0.1        SG
  Upstream interface (S):  dc1
  Upstream interface (RP): dc1
  Upstream MRIB next hop (RP): 10.3.0.2
  Upstream MRIB next hop (S): 10.3.0.2
  Upstream RPF'(S,G):      10.3.0.2

```

```

Upstream state:                NotJoined
Register state:
Join timer:                    -1
Local receiver include WC:     .....
Local receiver include SG:     .....
Local receiver exclude SG:     .....
Joins RP:                      .....
Joins WC:                      .....
Joins SG:                      .....
Join state:                    .....
Prune state:                   .....
Prune pending state:          .....
I am assert winner state:      .....
I am assert loser state:       .....
Assert winner WC:              .....
Assert winner SG:              .....
Assert lost WC:                .....
Assert lost SG:                .....
Assert lost SG_RPT:            .....
Assert tracking SG:            .....
Could assert WC:               .....
Could assert SG:               .....
I am DR:                       .....0.....
Immediate olist RP:            .....
Immediate olist WC:            .....
Immediate olist SG:            .....
Inherited olist SG:            .....
Inherited olist SG_RPT:        .....
PIM include WC:                .....
PIM include SG:                .....
PIM exclude SG:                .....

```

- After the sender is stopped, and after it has been inactive for `Keepalive_Period` (210 sec), the (S,G) entry should expire if it was not removed earlier.

*Part D:*

- After the (S,G) Prune message is received by the RUT, the (S,G) state machine for the interface that connects the RUT to LAN3 should continue to stay in the NoInfo state (*i.e.*, no (S,G) multicast routing entry should be created).
- After that, the results until after S2 is started should be same as in Part C.
- After the (S,G) Prune message from TR1 is received by the RUT, the (S,G) state machine for the interface that connects the RUT to LAN3 should transition to NoInfo state. This may or may not remove the (S,G) entry itself (see the observable results in Part C). As a result of that transition, the RUT should send (S,G) Prune message toward the source (S2), and no multicast packets should be forwarded by the RUT on LAN3. Note that because the RUT has only one PIM neighbor on LAN3, it does not need to send (S,G) PruneEcho on LAN3.

*Part E:*

- The results until after S2 is started should be same as in Part C and D.
- After the (S,G) Prune message from TR1 is received by the RUT, the (S,G) state machine for the interface that connects the RUT to LAN3 should transition to PrunePending state (the reason that it does not transit to NoInfo instead is because the RUT has more than one PIM neighbors on that interface). After  $J/P\_Override\_Interval(I)$  (3 sec), the PrunePending timer on that interface should expire, and the (S,G) state machine for the interface should send (S,G) PruneEcho on LAN3 and transit to NoInfo state. This may or may not remove the (S,G) entry itself (see the observable results in Part C). As a result of that transition, the RUT should send (S,G) Prune message toward the source (S2), and no multicast packets should be forwarded by the RUT on LAN3.

*Part F:*

- The results until after S2 is started should be same as in Part C, D, and E.
- After the (S,G) Prune message from TR1 is received by the RUT, the (S,G) state machine for the interface that connects the RUT to LAN3 should transition to PrunePending state (the reason that it does not transit to NoInfo instead is because the RUT has more than one PIM neighbors on that interface). Assuming that TR2 has (S,G) multicast routing entry in Joined state for the source it had originated (S,G) Join message earlier, then after very short random interval  $t\_override$  (rand(0, 2.5) sec) TR2 should send another (S,G) Join message to the RUT. After the RUT receives that (S,G) Join message from TR2, the (S,G) state machine for the interface that connects the RUT to LAN3 should transition back to Join state. As a result of that transition, the RUT should not send (S,G) Prune message toward the source (S2), and the multicast packets should continue to be forwarded by the RUT on LAN3.

**Possible Problems:** None.



## 4.4 Receiving (S,G,rpt) Join/Prune Messages

**Purpose:** Verify that (S,G,rpt) Join/Prune messages are received and processed properly.

**References:**

- draft-ietf-pim-sm-v2-new-05 – Section 4.5.4

**Discussion:** When a PIM-SM router receives a PIM (S,G,rpt) Join/Prune message, the per-interface (S,G,rpt) state machine should be updated appropriately. Typically, if an (S,G,rpt) Prune message is received, it should remove the interface it was received on from the set of outgoing interfaces for that source and group. If that set has just become empty, an (S,G,rpt) Prune message should be sent toward the RP. If an (S,G,rpt) Join message is received, typically the interface it was received on should be removed from the list of pruned outgoing interfaces for that source and group.

**Test Setup:** Connect the RUT, TR1, TR2, TR3, S1, and S2 according to Figure 4.4<sup>4</sup>. Enable PIM-SM on the RUT, TR1, TR2, and TR3. Configure S1 and S2 as senders for group 224.0.1.20<sup>5</sup>.

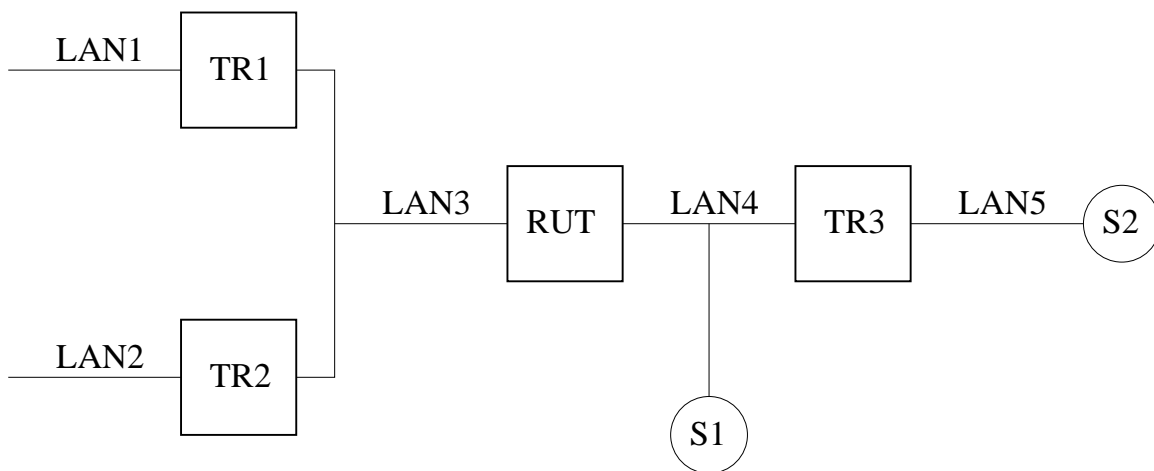


Figure 4.4: Receiving (S,G,rpt) Join/Prune messages test setup

**Procedure:**

*Part A: Receiving (S,G,rpt) Join messages at the first-hop router.*

1. Configure the RUT as the RP. Start the RUT and TR1. If necessary, wait until the RP-set in the RUT and TR1 converges.
2. Start observing the downstream (S,G,rpt) per-interface state machine at the RUT.
3. Compose an (S,G,rpt) Join message at TR1 with the source address set to the address of S1, and send it to the RUT. The `J/P_HoldTime` of the message should be set to its default value (210).
4. Observe the downstream (S,G,rpt) per-interface state in the RUT.

<sup>4</sup>Note that S1 is used only when TR3 and S2 are not used, hence it is not necessary to have two senders at same time.

<sup>5</sup>Note that currently TR3 and S2 are not used in the test scenarios described below.

5. Start S1, and observe the data packets transmitted by the RUT on LAN3.

*Part B: Receiving (S,G,rpt) Prune messages at the first-hop router.*

1. Configure the RUT as the RP. Start the RUT and TR1. If necessary, wait until the RP-set in the RUT and TR1 converges.
2. Start observing the downstream (S,G,rpt) per-interface state machine at the RUT.
3. Compose an (S,G,rpt) Prune message at TR1 with the source address set to the address of S1, and send it to the RUT. The  $J/P\_HoldTime$  of the message should be set to its default value (210).
4. Observe the downstream (S,G,rpt) per-interface state in the RUT for at least  $J/P\_HoldTime$  (210).

*Part C: Receiving (S,G,rpt) Prune and (S,G,rpt) Join messages at the first-hop router.*

1. Configure the RUT as the RP. Start the RUT and TR1. If necessary, wait until the RP-set in the RUT and TR1 converges.
2. Start observing the downstream (S,G,rpt) per-interface state machine at the RUT.
3. Compose an (S,G,rpt) Prune message at TR1 with the source address set to the address of S1, and send it to the RUT. The  $J/P\_HoldTime$  of the message should be set to its default value (210).
4. Observe the downstream (S,G,rpt) per-interface state in the RUT.
5. Start S1, and observe the data packets transmitted by the RUT on LAN3.
6. Compose an (S,G,rpt) Join message at TR1 with the source address set to the address of S1, and send it to the RUT. The  $J/P\_HoldTime$  of the message should be set to its default value (210).
7. Observe the downstream (S,G,rpt) per-interface state in the RUT.
8. Stop S1.

*Part D: Receiving (S,G,rpt) Prune and (\*,G) Join messages at the first-hop router.*

1. Configure the RUT as the RP. Start the RUT and TR1. If necessary, wait until the RP-set in the RUT and TR1 converges.
2. Start observing the downstream (S,G,rpt) per-interface state machine at the RUT.
3. Compose an (S,G,rpt) Prune message at TR1 with the source address set to the address of S1, and send it to the RUT. The  $J/P\_HoldTime$  of the message should be set to its default value (210).
4. Observe the downstream (S,G,rpt) per-interface state in the RUT.
5. Start S1, and observe the data packets transmitted by the RUT on LAN3.
6. Compose an (\*,G) Join message at TR1 with the source address set to the address of S1, and send it to the RUT. The  $J/P\_HoldTime$  of the message should be set to its default value (210).
7. Observe the downstream (S,G,rpt) per-interface state in the RUT.

8. Compose a message at TR1 that contains (\*,G) Join with the RP address set to the address of the RUT, and (S,G,rpt) Prune with the source address set to the address of S1, and send it to the RUT. The J/P\_HoldTime of the message should be set to its default value (210).
9. Observe the downstream (S,G,rpt) per-interface state in the RUT.
10. Stop S1.

**Observable Results:**

*Part A:*

- After the (S,G,rpt) Join message is received by the RUT, the (S,G,rpt) state machine for the interface that connects the RUT to LAN3 should continue to stay in the NoInfo state (i.e., no (S,G,rpt) multicast routing entry should be created).
- After S1 is started, no multicast packets should be forwarded by the RUT on LAN3.

*Part B:*

- After the (S,G,rpt) Prune message is received by the RUT, the (S,G,rpt) state machine for the interface that connects the RUT to LAN3 should transition to PrunePending state. The state machine should remain in that state for J/P\_Override\_Interval(I) (3 sec). After that it should transition to Prune state:

```
Xorp> show pim join
Group          Source          RP              Flags
224.0.0.1.20   10.3.0.2        10.3.0.1        SG_RPT DirectlyConnectedS
  Upstream interface (S):    dcl
  Upstream interface (RP):  register_vif
  Upstream MRIB next hop (RP): UNKNOWN
  Upstream RPF' (S,G,rpt):  UNKNOWN
  Upstream state:           RptNotJoined
  Override timer:           -1
  Local receiver include WC: .....
  Joins RP:                 .....
  Joins WC:                 .....
  Prunes SG_RPT:           .....O.....
  Join state:               .....
  Prune state:              .....O.....
  Prune pending state:     .....
  Prune tmp state:         .....
  Prune pending tmp state: .....
  Assert winner WC:        .....
  Assert lost WC:          .....
  Assert lost SG_RPT:      .....
  Could assert WC:         .....
  Could assert SG:         .....
  I am DR:                 .....OO.....
```

```

Immediate olist RP:      .....
Immediate olist WC:      .....
Inherited olist SG:      .....
Inherited olist SG_RPT: .....
PIM include WC:         .....

```

The Expiry Timer for the interface that connects the RUT to LAN3 should expire after J/P\_HoldTime (210). After it expires, the state machine for that interface should transition to NoInfo state, and the (S,G,rpt) entry itself should be removed.

*Part C:*

- Until after the (S,G,rpt) Prune message is received by the RUT, the results should be same as in Part B.
- After the (S,G,rpt) Join message is received by the RUT, the (S,G,rpt) state machine for the interface that connects the RUT to LAN3 should transition to NoInfo state, and the (S,G,rpt) entry itself should be removed.
- At all time after S1 is started, no multicast packets should be forwarded by the RUT on LAN3.

*Part D:*

- Until after the (S,G,rpt) Prune message is received by the RUT, the results should be same as in Part B and Part C.
- After S1 is started, no multicast packets should be forwarded by the RUT on LAN3.
- After the (\*,G) Join message is received by the RUT, the (S,G,rpt) state machine for the interface that connects the RUT to LAN3 should transition to NoInfo state, and the (S,G,rpt) entry itself should be removed. However, the RUT should have created an (\*,G) entry. The (\*,G) state machine for the interface that connects the RUT to LAN3 should be in Join state (note that after S1 is started, the router would have (S,G) routing state as well because of the directly-connected source):

```

Xorp> show pim join
Group          Source          RP          Flags
224.0.1.20    0.0.0.0         10.3.0.1   WC
  Upstream interface (RP):  register_vif
  Upstream MRIB next hop (RP): UNKNOWN
  Upstream RPF' (*,G):    UNKNOWN
  Upstream state:         Joined
  Join timer:             51
  Local receiver include WC: .....
  Joins RP:               .....
  Joins WC:               .....O.....
  Join state:             .....O.....
  Prune state:            .....
  Prune pending state:    .....

```

```

I am assert winner state: .....
I am assert loser state: .....
Assert winner WC: .....
Assert lost WC: .....
Assert tracking WC: .....0.....0
Could assert WC: .....0.....
I am DR: .....00.....
Immediate olist RP: .....
Immediate olist WC: .....0.....
Inherited olist SG: .....
Inherited olist SG_RPT: .....
PIM include WC: .....
224.0.1.20      10.3.0.2      10.3.0.1      SG DirectlyConnectedS
Upstream interface (S): dcl
Upstream interface (RP): register_vif
Upstream MRIB next hop (RP): UNKNOWN
Upstream MRIB next hop (S): UNKNOWN
Upstream RPF'(S,G): UNKNOWN
Upstream state: Joined
Register state: RegisterNoinfo RegisterNotCouldRegister
Join timer: 51
Local receiver include WC: .....
Local receiver include SG: .....
Local receiver exclude SG: .....
Joins RP: .....
Joins WC: .....0.....
Joins SG: .....
Join state: .....
Prune state: .....
Prune pending state: .....
I am assert winner state: .....
I am assert loser state: .....
Assert winner WC: .....
Assert winner SG: .....
Assert lost WC: .....
Assert lost SG: .....
Assert lost SG_RPT: .....
Assert tracking SG: .....00.....0
Could assert WC: .....0.....
Could assert SG: .....
I am DR: .....00.....
Immediate olist RP: .....
Immediate olist WC: .....0.....
Immediate olist SG: .....
Inherited olist SG: .....0.....
Inherited olist SG_RPT: .....
PIM include WC: .....

```

```

PIM include SG: .....
PIM exclude SG: .....

```

The multicast packets from S1 should be forwarded by the RUT on LAN3.

- After the message with the (\*,G) Join and (S,G,rpt) Prune is received by the RUT, the (\*,G) state machine for the interface that connects the RUT to LAN3 should remain in Join state, but the (S,G,rpt) state machine for the interface that connects the RUT to LAN3 should transition to Prune state:

```

Xorp> show pim join
Group          Source          RP              Flags
224.0.1.20     0.0.0.0        10.3.0.1       WC
  Upstream interface (RP):  register_vif
  Upstream MRIB next hop (RP): UNKNOWN
  Upstream RPF'(*,G):      UNKNOWN
  Upstream state:          Joined
  Join timer:              28
  Local receiver include WC: .....
  Joins RP:                .....
  Joins WC:                .....O.....
  Join state:              .....O.....
  Prune state:             .....
  Prune pending state:    .....
  I am assert winner state: .....
  I am assert loser state: .....
  Assert winner WC:       .....
  Assert lost WC:         .....
  Assert tracking WC:     .....O.....O
  Could assert WC:       .....O.....
  I am DR:                 .....OO.....
  Immediate olist RP:     .....
  Immediate olist WC:     .....O.....
  Inherited olist SG:     .....
  Inherited olist SG_RPT: .....
  PIM include WC:         .....
224.0.1.20     10.3.0.2       10.3.0.1       SG_RPT DirectlyConnectedS
  Upstream interface (S):  dcl
  Upstream interface (RP):  register_vif
  Upstream MRIB next hop (RP): UNKNOWN
  Upstream RPF'(S,G,rpt):  UNKNOWN
  Upstream state:          Pruned
  Override timer:          -1
  Local receiver include WC: .....
  Joins RP:                .....
  Joins WC:                .....O.....
  Prunes SG_RPT:         .....O.....
  Join state:              .....

```

```

Prune state: .....0.....
Prune pending state: .....
Prune tmp state: .....
Prune pending tmp state: .....
Assert winner WC: .....
Assert lost WC: .....
Assert lost SG_RPT: .....
Could assert WC: .....0.....
Could assert SG: .....
I am DR: .....00.....
Immediate olist RP: .....
Immediate olist WC: .....0.....
Inherited olist SG: .....
Inherited olist SG_RPT: .....
PIM include WC: .....
224.0.1.20      10.3.0.2      10.3.0.1      SG DirectlyConnectedS
Upstream interface (S): dcl
Upstream interface (RP): register_vif
Upstream MRIB next hop (RP): UNKNOWN
Upstream MRIB next hop (S): UNKNOWN
Upstream RPF'(S,G): UNKNOWN
Upstream state: NotJoined
Register state: RegisterNoinfo RegisterNotCouldRegister
Join timer: -1
Local receiver include WC: .....
Local receiver include SG: .....
Local receiver exclude SG: .....
Joins RP: .....
Joins WC: .....0.....
Joins SG: .....
Join state: .....
Prune state: .....
Prune pending state: .....
I am assert winner state: .....
I am assert loser state: .....
Assert winner WC: .....
Assert winner SG: .....
Assert lost WC: .....
Assert lost SG: .....
Assert lost SG_RPT: .....
Assert tracking SG: .....0
Could assert WC: .....0.....
Could assert SG: .....
I am DR: .....00.....
Immediate olist RP: .....
Immediate olist WC: .....0.....
Immediate olist SG: .....

```

```
Inherited olist SG: .....  
Inherited olist SG_RPT: .....  
PIM include WC: .....  
PIM include SG: .....  
PIM exclude SG: .....
```

The multicast packets from S1 should stop being forwarded by the RUT on LAN3.

**Possible Problems:** None.



## 4.5 Sending (\*,\*,RP) Join/Prune Messages

**Purpose:** Verify that (\*,\*,RP) Join/Prune messages are sent properly.

**References:**

- draft-ietf-pim-sm-v2-new-05 – Section 4.5.5

**Discussion:** If a router receives an (\*,\*,RP) Join/Prune message, it may need to propagate it toward the RP. A router should monitor its upstream interface for messages from other routers on that subnet, and if it sees an (\*,\*,RP) Join to the correct upstream neighbor, it should suppress its own (\*,\*,RP) Join message. If it sees an (\*,\*,RP) Prune, it should override that prune by sending an (\*,\*,RP) Join almost immediately. If a router sees the Generation ID of the correct upstream neighbor change, the router should refresh the state by sending an (\*,\*,RP) Join almost immediately. In addition, if the MRIB changes to indicate that the next hop towards the RP has changed, the router should send an (\*,\*,RP) Prune towards the old next hop, and send an (\*,\*,RP) Join towards the next hop router.

**Test Setup:** Connect the RUT, TR1, TR2, TR3, TR4, and S1 according to Figure 4.5. In all tests, configure the RUT such that the next-hop router toward LAN6 is TR4, unless stated otherwise.

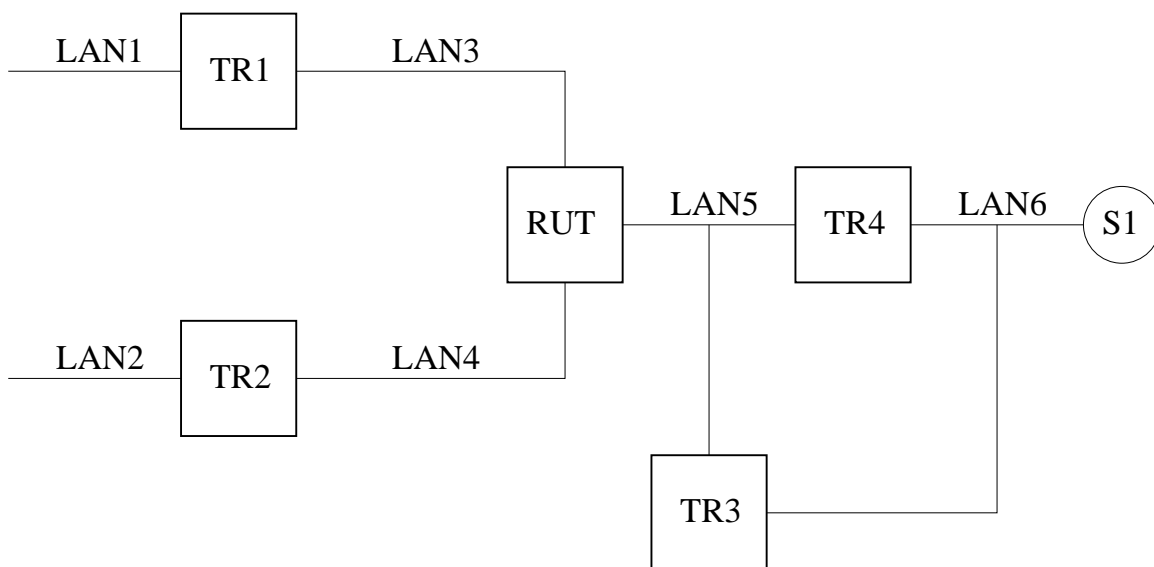


Figure 4.5: Sending (\*,\*,RP) Join/Prune Messages test setup

**Procedure:**

*Part A: JoinDesired(\*,\*,RP)  $\implies$  True/False transaction.*

1. Configure TR4 as the RP. Start the RUT, TR1, TR2, and TR4. If necessary, wait until the RP-set in the RUT, TR1, TR2, and TR4 converges.
2. Start observing the (\*,\*,RP) Join/Prune messages transmitted by the RUT on LAN5.
3. Compose an (\*,\*,RP) Join message at TR1 with the RP address set to the address of TR4, and send it to the RUT. The `J/P_HoldTime` of the message should be set to its default value (210).

4. Compose an (\*,\*,RP) Prune message at TR1 with the RP address set to the address of TR4, and send it to the RUT. The  $J/P\_HoldTime$  of the message should be set to its default value (210).
5. Compose an (\*,\*,RP) Join message at TR1 with the RP address set to the address of TR4, and send it to the RUT. The  $J/P\_HoldTime$  of the message should be set to its default value (210).
6. Compose an (\*,\*,RP) Join message at TR2 with the RP address set to the address of TR4, and send it to the RUT. The  $J/P\_HoldTime$  of the message should be set to its default value (210).
7. Compose an (\*,\*,RP) Prune message at TR2 with the RP address set to the address of TR4, and send it to the RUT. The  $J/P\_HoldTime$  of the message should be set to its default value (210).

*Part B: (\*,\*,RP) Join Timer expiration.*

1. Configure TR4 as the RP. Start the RUT, TR1, and TR4. If necessary, wait until the RP-set in the RUT, TR1, and TR4 converges.
2. Start observing the (\*,\*,RP) Join/Prune messages transmitted by the RUT on LAN5.
3. Compose an (\*,\*,RP) Join message at TR1 with the RP address set to the address of TR4, and send it to the RUT. The  $J/P\_HoldTime$  of the message should be set to its default value (210).
4. Keep observing the (\*,\*,RP) Join/Prune messages transmitted by the RUT on LAN5 for at least  $J/P\_HoldTime$  (210).

*Part C: See (\*,\*,RP) Join message to MRIB.next\_hop(RP).*

- Configure TR4 as the RP. Start the RUT, TR1, TR3, and TR4. If necessary, wait until the RP-set in the RUT, TR1, TR3, and TR4 converges.
- Configure the RUT such that the T-bit in LAN Prune Delay Hello Option in the Hello messages sent by the RUT on LAN5 is not set (*i.e.*, joins suppression is not disabled). The T-bit in the Hello messages of TR3 and TR4 can be of any value.
- Start observing the (\*,\*,RP) Join/Prune messages transmitted by the RUT on LAN5.
- Compose an (\*,\*,RP) Join message at TR1 with the RP address set to the address of TR4, and send it to the RUT. The  $J/P\_HoldTime$  of the message should be set to its default value (210).
- Compose an (\*,\*,RP) Join message at TR3 with the RP address set to the address of TR4, and send it to TR4 on LAN5. The  $J/P\_HoldTime$  of the message should be set to its default value (210).
- Every  $t\_periodic$  (60 sec) compose an (\*,\*,RP) Join message at TR3 with the RP address set to the address of TR4, and send it to TR4 on LAN5. The  $J/P\_HoldTime$  of the message should be set to its default value (210).
- Keep observing the (\*,\*,RP) Join/Prune messages transmitted by the RUT on LAN5 for at least  $J/P\_HoldTime$  (210).
- Repeat the whole test, but this time by configuring the RUT, TR3, and TR4 such that the T-bit in LAN Prune Delay Hello Option is set (*i.e.*, joins suppression is disabled).

*Part D: See (\*,\*,RP) Prune message to MRIB.next\_hop(RP).*

- Configure TR4 as the RP. Start the RUT, TR1, TR3, and TR4. If necessary, wait until the RP-set in the RUT, TR1, TR3, and TR4 converges.
- Start observing the (\*,\*,RP) Join/Prune messages transmitted by the RUT on LAN5.
- Compose an (\*,\*,RP) Join message at TR1 with the RP address set to the address of TR4, and send it to the RUT. The `J/P_HoldTime` of the message should be set to its default value (210).
- Compose an (\*,\*,RP) Prune message at TR3 with the RP address set to the address of TR4, and send it to TR4 on LAN5. The `J/P_HoldTime` of the message should be set to its default value (210).
- Keep observing the (\*,\*,RP) Join/Prune messages transmitted by the RUT on LAN5 for at least `J/P_HoldTime` (210).

*Part E: MRIB.next\_hop(RP) Changes.*

- Configure the IP address of the interface that connects TR4 to LAN6 as the RP. Configure the RUT such that the next-hop router toward the RP is TR4. Start the RUT, TR1, TR3, and TR4. If necessary, wait until the RP-set in the RUT, TR1, TR3, and TR4 converges.
- Start observing the (\*,\*,RP) Join/Prune messages transmitted by the RUT on LAN5.
- Compose an (\*,\*,RP) Join message at TR1 with the RP address set to the RP address of TR4, and send it to the RUT. The `J/P_HoldTime` of the message should be set to its default value (210).
- Change the MRIB in the RUT such that the next-hop router toward the RP is TR3.
- Keep observing the (\*,\*,RP) Join/Prune messages transmitted by the RUT on LAN5 for at least `J/P_HoldTime` (210).

*Part F: MRIB.next\_hop(RP) GenID Changes.*

- Configure TR4 as the RP. Start the RUT, TR1, TR3, and TR4. If necessary, wait until the RP-set in the RUT, TR1, TR3, and TR4 converges.
- Start observing the (\*,\*,RP) Join/Prune messages transmitted by the RUT on LAN5.
- Compose an (\*,\*,RP) Join message at TR1 with the RP address set to the RP address of TR4, and send it to the RUT. The `J/P_HoldTime` of the message should be set to its default value (210).
- Quit TR4 (*i.e.*, stop it without graceful shutdown), and start it immediately.
- Keep observing the (\*,\*,RP) Join/Prune messages transmitted by the RUT on LAN5 for at least `J/P_HoldTime` (210).

## **Observable Results:**

*Part A:*

- After TR1 sends its first (\*,\*,RP) Join message to the RUT, the RUT itself should transmit an (\*,\*,RP) Join message on LAN5 with the upstream neighbor address set to TR4. The interface that connects the RUT to LAN3 should be added to the set of joined interfaces for the corresponding (\*,\*,RP) routing state; the incoming interface for that state should be the interface that connects the RUT to LAN5:

```
Xorp> show pim join
Group          Source          RP              Flags
224.0.0.0     10.4.0.3       10.4.0.3       RP
  Upstream interface (RP):  dcl
  Upstream MRIB next hop (RP): 10.2.0.2
  Upstream state:           Joined
  Join timer:               54
  Joins RP:                 .....O.....
  Join state:               .....O.....
  Prune state:              .....
  Prune pending state:     .....
  Could assert WC:         .....O.....
  I am DR:                 .....O.....
  Immediate olist RP:      .....O.....
  Inherited olist SG:     .....
  Inherited olist SG_RPT:  .....
```

- After TR1 sends the (\*,\*,RP) Prune message to the RUT, the RUT itself should transmit an (\*,\*,RP) Prune message on LAN5 with the upstream neighbor address set to TR4. The interface that connects the RUT to LAN3 should be removed from the set of joined interfaces for the corresponding (\*,\*,RP) routing state; as a result, this routing state should be removed.
- After TR1 sends its second (\*,\*,RP) Join message to the RUT, the result should be same as when TR1 sent its first (\*,\*,RP) Join message.
- After TR2 sends the (\*,\*,RP) Join message to the RUT, the interface that connects the RUT to LAN4 should be added to the set of joined interfaces for the corresponding (\*,\*,RP) routing state; however, the RUT itself should not transmit an (\*,\*,RP) Join message as a result of that join:

```
Xorp> show pim join
Group          Source          RP              Flags
224.0.0.0     10.4.0.3       10.4.0.3       RP
  Upstream interface (RP):  dcl
  Upstream MRIB next hop (RP): 10.2.0.2
  Upstream state:           Joined
  Join timer:               33
  Joins RP:                 .....O.O.....
  Join state:               .....O.O.....
  Prune state:              .....
  Prune pending state:     .....
  Could assert WC:         .....O.O.....
  I am DR:                 .....O.....
  Immediate olist RP:      .....O.O.....
```

```
Inherited olist SG:      .....
Inherited olist SG_RPT: .....

```

- After TR2 sends the (\*,\*,RP) Prune message to the RUT, the interface that connects the RUT to LAN4 should be removed from the set of joined interfaces for the corresponding (\*,\*,RP) routing state; however, the RUT itself should not transmit an (\*,\*,RP) Prune message as a result of that prune:

```
Xorp> show pim join
Group          Source          RP          Flags
224.0.0.0     10.4.0.3       10.4.0.3   RP
  Upstream interface (RP):  dc1
  Upstream MRIB next hop (RP): 10.2.0.2
  Upstream state:           Joined
  Join timer:               30
  Joins RP:                 .....0.....
  Join state:               .....0.....
  Prune state:              .....
  Prune pending state:     .....
  Could assert WC:         .....0.....
  I am DR:                  .....0.....
  Immediate olist RP:      .....0.....
  Inherited olist SG:      .....
  Inherited olist SG_RPT:  .....
```

*Part B:*

- Until after TR1 sends the (\*,\*,RP) Join message, the results should be same as in Part A.
- After the RUT receives the (\*,\*,RP) Join message, it should start transmitting itself (\*,\*,RP) Join messages on LAN5 with the upstream neighbor address set to TR4: one message every `t_periodic` (60 sec).

*Part C:*

- Until after TR1 sends the (\*,\*,RP) Join message, the results should be same as in Part A.
- After the RUT receives the (\*,\*,RP) Join message, it should transmit itself an (\*,\*,RP) Join message on LAN5 with the upstream neighbor address set to TR4. The Join Timer in the corresponding (\*,\*,RP) state to send the next message should be set to `t_periodic` (60 sec):

```
Xorp> show pim join
Group          Source          RP          Flags
224.0.0.0     10.4.0.3       10.4.0.3   RP
  Upstream interface (RP):  dc1
  Upstream MRIB next hop (RP): 10.2.0.2
  Upstream state:           Joined
  Join timer:               59
```

```

Joins RP: .....O.....
Join state: .....O.....
Prune state: .....
Prune pending state: .....
Could assert WC: .....O.....
I am DR: .....O.O.....
Immediate olist RP: .....O.....
Inherited olist SG: .....
Inherited olist SG_RPT: .....

```

- After TR3 sends the (\*,\*,RP) Join message to TR4, it should suppress the generation of the (\*,\*,RP) Join message at the RUT by increasing the Join Timer in the corresponding (\*,\*,RP) state to `t_joinsuppress` (see the protocol specification for description of its value):

```

Xorp> show pim join
Group          Source          RP          Flags
224.0.0.0      10.4.0.3        10.4.0.3    RP
  Upstream interface (RP):  dcl
  Upstream MRIB next hop (RP): 10.2.0.2
  Upstream state:           Joined
  Join timer:                82
  Joins RP: .....O.....
  Join state: .....O.....
  Prune state: .....
  Prune pending state: .....
  Could assert WC: .....O.....
  I am DR: .....O.O.....
  Immediate olist RP: .....O.....
  Inherited olist SG: .....
  Inherited olist SG_RPT: .....

```

- While TR3 keeps sending (\*,\*,RP) Join messages to TR4, the RUT should not generate (\*,\*,RP) Join messages on its own.
- When the test is repeated with the T-bit set, the (\*,\*,RP) Join messages sent by TR3 should not suppress the (\*,\*,RP) Join messages generated by the RUT. In other words, after the RUT receives the (\*,\*,RP) Join message, it should start transmitting itself (\*,\*,RP) Join messages on LAN5 with the upstream neighbor address set to TR4: one message every `t_periodic` (60 sec).

*Part D:*

- Until before TR3 sends the (\*,\*,RP) Prune message, the results should be same as in Part C (right before TR3 sends the (\*,\*,RP) Join message).
- After TR3 sends the (\*,\*,RP) Prune message to TR4, the Join Timer in the RUT for the corresponding (\*,\*,RP) state should be decreased to `t_override` (rand(0, 2.5) sec). As a result, the RUT should generate almost immediately an (\*,\*,RP) Join message to TR4.

- After that the RUT should continue transmitting (\*,\*,RP) Join messages to TR4 as normal: one message every `t_periodic` (60 sec).

*Part E:*

- Until before the MRIB is changed, the results should be same as in Part C (right before TR3 sends the (\*,\*,RP) Join message).
- After the MRIB is changed, the RUT should send an (\*,\*,RP) Prune message to TR2 (the old upstream router toward the RP), and right after that it should send an (\*,\*,RP) Join message to TR3 (the new upstream router toward the RP). The corresponding (\*,\*,RP) state in the RUT should indicate the new upstream router, and the Join Timer should be set to `t_periodic` (60 sec):

```
Xorp> show pim join
Group          Source          RP              Flags
224.0.0.0     10.4.0.3       10.4.0.3       RP
  Upstream interface (RP):  dcl
  Upstream MRIB next hop (RP): 10.2.0.3
  Upstream state:           Joined
  Join timer:               59
  Joins RP:                 .....0.....
  Join state:               .....0.....
  Prune state:              .....
  Prune pending state:     .....
  Could assert WC:         .....0.....
  I am DR:                  .....0.0.....
  Immediate olist RP:      .....0.....
  Inherited olist SG:     .....
  Inherited olist SG_RPT:  .....
```

- After that the RUT should continue transmitting (\*,\*,RP) Join messages to TR3 as normal: one message every `t_periodic` (60 sec).

*Part F:*

- Until before TR4 is restarted, the results should be same as in Part C (right before TR3 sends the (\*,\*,RP) Join message).
- After TR4 is restarted, the Join Timer in the RUT for the corresponding (\*,\*,RP) state should be decreased to `t_override` (`rand(0, 2.5)` sec). As a result, the RUT should generate almost immediately an (\*,\*,RP) Join message to TR4.
- After that the RUT should continue transmitting (\*,\*,RP) Join messages to TR4 as normal: one message every `t_periodic` (60 sec).

**Possible Problems:** In Part E, after the MRIB is changed, the (\*,\*,RP) Join message might be sent before the (\*,\*,RP) Prune message.

## 4.6 Sending (\*,G) Join/Prune Messages

**Purpose:** Verify that (\*,G) Join/Prune messages are sent properly.

**References:**

- draft-ietf-pim-sm-v2-new-05 – Section 4.5.6

**Discussion:** If a router receives an (\*,G) Join/Prune message, it may need to propagate it toward the RP for that group. A router should monitor its upstream interface for messages from other routers on that subnet, and if it sees an (\*,G) Join to the correct upstream neighbor, it should suppress its own (\*,G) Join message. If it sees an (\*,G) Prune, it should override that prune by sending an (\*,G) Join almost immediately. If a router sees the Generation ID of the correct upstream neighbor change, the router should refresh the state by sending an (\*,G) Join almost immediately. In addition, if the MRIB changes to indicate that the next hop towards the RP has changed, the router should send an (\*,G) Prune towards the old next hop, and send an (\*,G) Join towards the next hop router.

**Test Setup:** Connect the RUT, TR1, TR2, TR3, TR4, and S1 according to Figure 4.6. In all tests, configure the RUT such that the next-hop router toward LAN6 is TR4, unless stated otherwise.

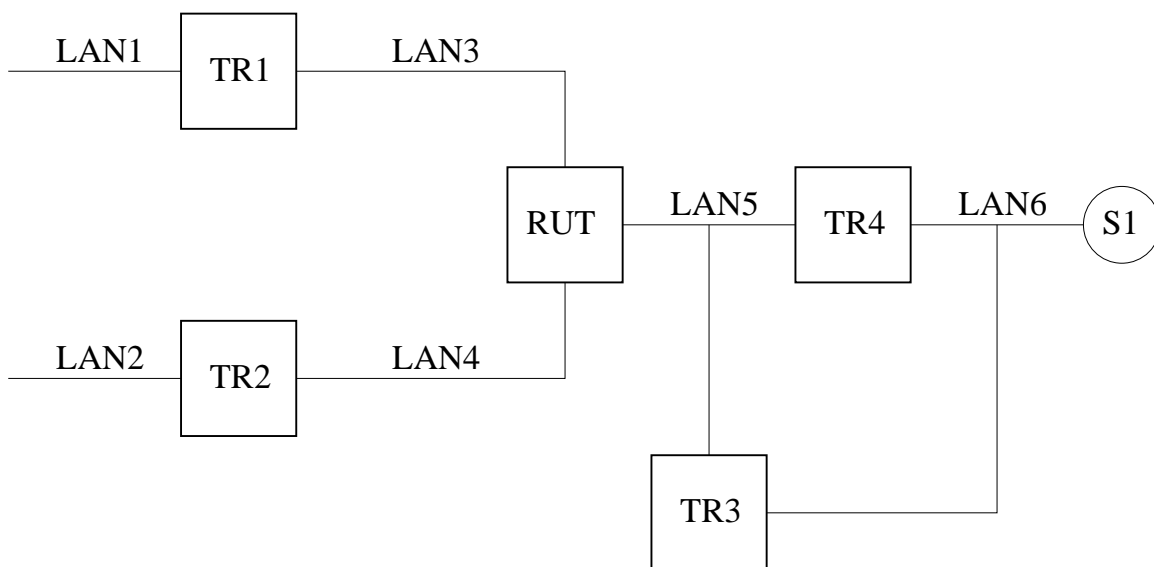


Figure 4.6: Sending (\*,G) Join/Prune Messages test setup

**Procedure:**

*Part A: JoinDesired(\*,G)  $\implies$  True/False transaction.*

1. Configure TR4 as the RP. Start the RUT, TR1, TR2, and TR4. If necessary, wait until the RP-set in the RUT, TR1, TR2, and TR4 converges.
2. Start observing the (\*,G) Join/Prune messages transmitted by the RUT on LAN5.
3. Compose an (\*,G) Join message at TR1, and send it to the RUT. The J/P\_HoldTime of the message should be set to its default value (210).



4. Compose an (\*,G) Prune message at TR1, and send it to the RUT. The `J/P_HoldTime` of the message should be set to its default value (210).
5. Compose an (\*,G) Join message at TR1, and send it to the RUT. The `J/P_HoldTime` of the message should be set to its default value (210).
6. Compose an (\*,G) Join message at TR2, and send it to the RUT. The `J/P_HoldTime` of the message should be set to its default value (210).
7. Compose an (\*,G) Prune message at TR2, and send it to the RUT. The `J/P_HoldTime` of the message should be set to its default value (210).

*Part B: (\*,G) Join Timer expiration.*

1. Configure TR4 as the RP. Start the RUT, TR1, and TR4. If necessary, wait until the RP-set in the RUT, TR1, and TR4 converges.
2. Start observing the (\*,G) Join/Prune messages transmitted by the RUT on LAN5.
3. Compose an (\*,G) Join message at TR1, and send it to the RUT. The `J/P_HoldTime` of the message should be set to its default value (210).
4. Keep observing the (\*,G) Join/Prune messages transmitted by the RUT on LAN5 for at least `J/P_HoldTime` (210).

*Part C: See (\*,G) Join message to RPF'(\*,G).*

- Configure TR4 as the RP. Start the RUT, TR1, TR3, and TR4. If necessary, wait until the RP-set in the RUT, TR1, TR3, and TR4 converges.
- Configure the RUT such that the T-bit in LAN Prune Delay Hello Option in the Hello messages sent by the RUT on LAN5 is not set (*i.e.*, joins suppression is not disabled). The T-bit in the Hello messages of TR3 and TR4 can be of any value.
- Start observing the (\*,G) Join/Prune messages transmitted by the RUT on LAN5.
- Compose an (\*,G) Join message at TR1, and send it to the RUT. The `J/P_HoldTime` of the message should be set to its default value (210).
- Compose an (\*,G) Join message at TR3, and send it to TR4 on LAN5. The `J/P_HoldTime` of the message should be set to its default value (210).
- Every `t_periodic` (60 sec) compose an (\*,G) Join message at TR3, and send it to TR4 on LAN5. The `J/P_HoldTime` of the message should be set to its default value (210).
- Keep observing the (\*,G) Join/Prune messages transmitted by the RUT on LAN5 for at least `J/P_HoldTime` (210).
- Repeat the whole test, but this time by configuring the RUT, TR3, and TR4 such that the T-bit in LAN Prune Delay Hello Option is set (*i.e.*, joins suppression is disabled).

*Part D: See (\*,G) Prune message to RPF'(\*,G).*

- Configure TR4 as the RP. Start the RUT, TR1, TR3, and TR4. If necessary, wait until the RP-set in the RUT, TR1, TR3, and TR4 converges.
- Start observing the (\*,G) Join/Prune messages transmitted by the RUT on LAN5.
- Compose an (\*,G) Join message at TR1, and send it to the RUT. The `J/P_HoldTime` of the message should be set to its default value (210).
- Compose an (\*,G) Prune message at TR3, and send it to TR4 on LAN5. The `J/P_HoldTime` of the message should be set to its default value (210).
- Keep observing the (\*,G) Join/Prune messages transmitted by the RUT on LAN5 for at least `J/P_HoldTime` (210).

*Part E: MRIB.next\_hop(RP(G)) Changes.*

- Configure the IP address of the interface that connects TR4 to LAN6 as the RP. Configure the RUT such that the next-hop router toward the RP is TR4. Start the RUT, TR1, TR3, and TR4. If necessary, wait until the RP-set in the RUT, TR1, TR3, and TR4 converges.
- Start observing the (\*,G) Join/Prune messages transmitted by the RUT on LAN5.
- Compose an (\*,G) Join message at TR1, and send it to the RUT. The `J/P_HoldTime` of the message should be set to its default value (210).
- Change the MRIB in the RUT such that the next-hop router toward the RP is TR3.
- Keep observing the (\*,G) Join/Prune messages transmitted by the RUT on LAN5 for at least `J/P_HoldTime` (210).

*Part F: RPF'(\*,G) GenID Changes.*

- Configure TR4 as the RP. Start the RUT, TR1, TR3, and TR4. If necessary, wait until the RP-set in the RUT, TR1, TR3, and TR4 converges.
- Start observing the (\*,G) Join/Prune messages transmitted by the RUT on LAN5.
- Compose an (\*,G) Join message at TR1, and send it to the RUT. The `J/P_HoldTime` of the message should be set to its default value (210).
- Quit TR4 (*i.e.*, stop it without graceful shutdown), and start it immediately.
- Keep observing the (\*,G) Join/Prune messages transmitted by the RUT on LAN5 for at least `J/P_HoldTime` (210).

*Part G: RPF'(\*,G) Changes.*

- Configure the IP address of the interface that connects TR4 to LAN6 as the RP. Configure the RUT such that the next-hop router toward the RP is TR4. Start the RUT, TR1, TR3, and TR4. If necessary, wait until the RP-set in the RUT, TR1, TR3, and TR4 converges.
- Start observing the (\*,G) Join/Prune messages transmitted by the RUT on LAN5.

- Compose an (\*,G) Join message at TR1, and send it to the RUT. The J/P\_HoldTime of the message should be set to its default value (210).
- Trigger changing of RPF'(\*,G) at the RUT to TR3 by composing an (\*,G) Assert message at TR3 with RPT-bit set to one, metric and metric preference set to zero, and sending it on LAN5.
- Keep observing the (\*,G) Join/Prune messages transmitted by the RUT on LAN5 for at least J/P\_HoldTime (210).

## Observable Results:

### Part A:

- After TR1 sends its first (\*,G) Join message to the RUT, the RUT itself should transmit an (\*,G) Join message on LAN5 with the upstream neighbor address set to TR4. The interface that connects the RUT to LAN3 should be added to the set of joined interfaces for the corresponding (\*,G) routing state; the incoming interface for that state should be the interface that connects the RUT to LAN5:

```
Xorp> show pim join
Group          Source          RP              Flags
224.0.1.20    0.0.0.0        10.4.0.3       WC
  Upstream interface (RP):  dcl
  Upstream MRIB next hop (RP): 10.2.0.2
  Upstream RPF'(*,G):        10.2.0.2
  Upstream state:            Joined
  Join timer:                 52
  Local receiver include WC: .....
  Joins RP:                   .....
  Joins WC:                   .....O.....
  Join state:                  .....O.....
  Prune state:                 .....
  Prune pending state:        .....
  I am assert winner state:   .....
  I am assert loser state:    .....
  Assert winner WC:           .....
  Assert lost WC:              .....
  Assert tracking WC:         .....O.O.....
  Could assert WC:            .....O.....
  I am DR:                     .....O.....
  Immediate olist RP:         .....
  Immediate olist WC:         .....O.....
  Inherited olist SG:         .....
  Inherited olist SG_RPT:     .....
  PIM include WC:             .....
```

- After TR1 sends the (\*,G) Prune message to the RUT, the RUT itself should transmit an (\*,G) Prune message on LAN5 with the upstream neighbor address set to TR4. The interface that connects the RUT to LAN3 should be removed from the set of joined interfaces for the corresponding (\*,G) routing state; as a result, this routing state should be removed.

- After TR1 sends its second (\*,G) Join message to the RUT, the result should be same as when TR1 sent its first (\*,G) Join message.
- After TR2 sends the (\*,G) Join message to the RUT, the interface that connects the RUT to LAN4 should be added to the set of joined interfaces for the corresponding (\*,G) routing state; however, the RUT itself should not transmit an (\*,G) Join message as a result of that join:

```
Xorp> show pim join
Group          Source          RP              Flags
224.0.1.20    0.0.0.0        10.4.0.3       WC
  Upstream interface (RP):  dcl
  Upstream MRIB next hop (RP): 10.2.0.2
  Upstream RPF' (*,G):        10.2.0.2
  Upstream state:             Joined
  Join timer:                  6
  Local receiver include WC: .....
  Joins RP:                    .....
  Joins WC:                     .....0.0.....
  Join state:                   .....0.0.....
  Prune state:                  .....
  Prune pending state:         .....
  I am assert winner state:    .....
  I am assert loser state:     .....
  Assert winner WC:            .....
  Assert lost WC:              .....
  Assert tracking WC:          .....00.0.....
  Could assert WC:             .....0.0.....
  I am DR:                      .....0.....
  Immediate olist RP:          .....
  Immediate olist WC:          .....0.0.....
  Inherited olist SG:          .....
  Inherited olist SG_RPT:     .....
  PIM include WC:              .....
```

- After TR2 sends the (\*,G) Prune message to the RUT, the interface that connects the RUT to LAN4 should be removed from the set of joined interfaces for the corresponding (\*,G) routing state; however, the RUT itself should not transmit an (\*,G) Prune message as a result of that prune:

```
Xorp> show pim join
Group          Source          RP              Flags
224.0.1.20    0.0.0.0        10.4.0.3       WC
  Upstream interface (RP):  dcl
  Upstream MRIB next hop (RP): 10.2.0.2
  Upstream RPF' (*,G):        10.2.0.2
  Upstream state:             Joined
  Join timer:                  4
  Local receiver include WC: .....
```

```

Joins RP: .....
Joins WC: .....O.....
Join state: .....O.....
Prune state: .....
Prune pending state: .....
I am assert winner state: .....
I am assert loser state: .....
Assert winner WC: .....
Assert lost WC: .....
Assert tracking WC: .....O..O.....
Could assert WC: .....O.....
I am DR: .....O.....
Immediate olist RP: .....
Immediate olist WC: .....O.....
Inherited olist SG: .....
Inherited olist SG_RPT: .....
PIM include WC: .....

```

*Part B:*

- Until after TR1 sends the (\*,G) Join message, the results should be same as in Part A.
- After the RUT receives the (\*,G) Join message, it should start transmitting itself (\*,G) Join messages on LAN5 with the upstream neighbor address set to TR4: one message every t\_periodic (60 sec).

*Part C:*

- Until after TR1 sends the (\*,G) Join message, the results should be same as in Part A.
- After the RUT receives the (\*,G) Join message, it should transmit itself an (\*,G) Join message on LAN5 with the upstream neighbor address set to TR4. The Join Timer in the corresponding (\*,G) state to send the next message should be set to t\_periodic (60 sec):

```

Xorp> show pim join
Group          Source          RP              Flags
224.0.1.20    0.0.0.0        10.4.0.3       WC
  Upstream interface (RP):  dc1
  Upstream MRIB next hop (RP): 10.2.0.2
  Upstream RPF' (*,G):      10.2.0.2
  Upstream state:          Joined
  Join timer:              58
  Local receiver include WC: .....
  Joins RP:                .....
  Joins WC:                .....O.....
  Join state:              .....O.....
  Prune state:             .....
  Prune pending state:     .....

```

```

I am assert winner state: .....
I am assert loser state: .....
Assert winner WC: .....
Assert lost WC: .....
Assert tracking WC: .....O..O.....
Could assert WC: .....O.....
I am DR: .....O.....
Immediate olist RP: .....
Immediate olist WC: .....O.....
Inherited olist SG: .....
Inherited olist SG_RPT: .....
PIM include WC: .....

```

- After TR3 sends the (\*,G) Join message to TR4, it should suppress the generation of the (\*,G) Join message at the RUT by increasing the Join Timer in the corresponding (\*,G) state to t\_joinsuppress (see the protocol specification for description of its value):

```

Xorp> show pim join
Group          Source          RP              Flags
224.0.1.20    0.0.0.0        10.4.0.3       WC
  Upstream interface (RP):  dcl
  Upstream MRIB next hop (RP): 10.2.0.2
  Upstream RPF' (*,G):      10.2.0.2
  Upstream state:           Joined
  Join timer:                81
  Local receiver include WC: .....
  Joins RP:                  .....
  Joins WC:                   .....O.....
  Join state:                 .....O.....
  Prune state:                .....
  Prune pending state:       .....
  I am assert winner state:   .....
  I am assert loser state:   .....
  Assert winner WC:          .....
  Assert lost WC:            .....
  Assert tracking WC:        .....O..O.....
  Could assert WC:           .....O.....
  I am DR:                    .....O.....
  Immediate olist RP:         .....
  Immediate olist WC:         .....O.....
  Inherited olist SG:        .....
  Inherited olist SG_RPT:    .....
  PIM include WC:            .....

```

- While TR3 keeps sending (\*,G) Join messages to TR4, the RUT should not generate (\*,G) Join messages on its own.

- When the test is repeated with the T-bit set, the (\*,G) Join messages sent by TR3 should not suppress the (\*,G) Join messages generated by the RUT. In other words, after the RUT receives the (\*,G) Join message, it should start transmitting itself (\*,G) Join messages on LAN5 with the upstream neighbor address set to TR4: one message every `t_periodic` (60 sec).

*Part D:*

- Until before TR3 sends the (\*,G) Prune message, the results should be same as in Part C (right before TR3 sends the (\*,G) Join message).
- After TR3 sends the (\*,G) Prune message to TR4, the Join Timer in the RUT for the corresponding (\*,G) state should be decreased to `t_override` (rand(0, 2.5) sec). As a result, the RUT should generate almost immediately an (\*,G) Join message to TR4.
- After that the RUT should continue transmitting (\*,G) Join messages to TR4 as normal: one message every `t_periodic` (60 sec).

*Part E:*

- Until before the MRIB is changed, the results should be same as in Part C (right before TR3 sends the (\*,G) Join message).
- After the MRIB is changed, the RUT should send an (\*,G) Prune message to TR2 (the old upstream router toward the RP), and right after that it should send an (\*,G) Join message to TR3 (the new upstream router toward the RP). The corresponding (\*,G) state in the RUT should indicate the new upstream router, and the Join Timer should be set to `t_periodic` (60 sec):

```
Xorp> show pim join
Group          Source          RP              Flags
224.0.1.20    0.0.0.0        10.4.0.3       WC
  Upstream interface (RP):  dc1
  Upstream MRIB next hop (RP): 10.2.0.3
  Upstream RPF' (*,G):      10.2.0.3
  Upstream state:          Joined
  Join timer:              56
  Local receiver include WC: .....
  Joins RP:                .....
  Joins WC:                .....O.....
  Join state:              .....O.....
  Prune state:              .....
  Prune pending state:     .....
  I am assert winner state: .....
  I am assert loser state: .....
  Assert winner WC:        .....
  Assert lost WC:          .....
  Assert tracking WC:      .....O..O.....
  Could assert WC:         .....O.....
  I am DR:                 .....O.....
```

```

Immediate olist RP:      .....
Immediate olist WC:      .....O.....
Inherited olist SG:     .....
Inherited olist SG_RPT: .....
PIM include WC:         .....

```

- After that the RUT should continue transmitting (\*,G) Join messages to TR3 as normal: one message every `t_periodic` (60 sec).

*Part F:*

- Until before TR4 is restarted, the results should be same as in Part C (right before TR3 sends the (\*,G) Join message).
- After TR4 is restarted, the Join Timer in the RUT for the corresponding (\*,G) state should be decreased to `t_override` (rand(0, 2.5) sec). As a result, the RUT should generate almost immediately an (\*,G) Join message to TR4.
- After that the RUT should continue transmitting (\*,G) Join messages to TR4 as normal: one message every `t_periodic` (60 sec).

*Part G:*

- Until before RPF'(\*,G) is changed, the results should be same as in Part C (right before TR3 sends the (\*,G) Join message).
- After RPF'(\*,G) is changed, the Join Timer in the RUT for the corresponding (\*,G) state should be decreased to `t_override` (rand(0, 2.5) sec). As a result, the RUT should generate almost immediately an (\*,G) Join message to TR3. The RPF'(\*,G) for the corresponding (\*,G) state should be set to TR3:

```

Xorp> show pim join
Group          Source          RP              Flags
224.0.1.20    0.0.0.0         10.4.0.3       WC
  Upstream interface (RP):  dcl
  Upstream MRIB next hop (RP): 10.2.0.2
  Upstream RPF'(*,G):      10.2.0.3
  Upstream state:         Joined
  Join timer:              58
  Local receiver include WC: .....
  Joins RP:                .....
  Joins WC:                 .....O.....
  Join state:               .....O.....
  Prune state:              .....
  Prune pending state:     .....
  I am assert winner state: .....
  I am assert loser state:  .....O.....
  Assert winner WC:        .....

```



```

Assert lost WC:           .....
Assert tracking WC:      .....O..O.....
Could assert WC:        .....O.....
I am DR:                 .....O.O.....
Immediate olist RP:     .....
Immediate olist WC:     .....O.....
Inherited olist SG:     .....
Inherited olist SG_RPT: .....
PIM include WC:         .....

```

- After that the RUT should continue transmitting (\*,G) Join messages to TR3 as normal: one message every `t_periodic` (60 sec).

**Possible Problems:** In Part E, after the MRIB is changed, the (\*,G) Join message might be sent before the (\*,G) Prune message. In Part G, if the Assert generated by TR3 is not preferred when compared to the assert metric of TR4, the RPF'(\*,G) in the RUT will not be changed.

## 4.7 Sending (S,G) Join/Prune Messages

**Purpose:** Verify that (S,G) Join/Prune messages are sent properly.

**References:**

- draft-ietf-pim-sm-v2-new-05 – Section 4.5.7

**Discussion:** If a router receives an (S,G) Join/Prune message, it may need to propagate it toward the source. A router should monitor its upstream interface for messages from other routers on that subnet, and if it sees an (S,G) Join to the correct upstream neighbor, it should suppress its own (S,G) Join message. If it sees an (S,G) Prune, it should override that prune by sending an (S,G) Join almost immediately. If a router sees the Generation ID of the correct upstream neighbor change, the router should refresh the state by sending an (S,G) Join almost immediately. In addition, if the MRIB changes to indicate that the next hop towards the source has changed, the router should send an (S,G) Prune towards the old next hop, and send an (S,G) Join towards the next hop router.

**Test Setup:** Connect the RUT, TR1, TR2, TR3, TR4, and S1 according to Figure 4.7. In all tests, configure the RUT such that the next-hop router toward LAN6 is TR4, unless stated otherwise.

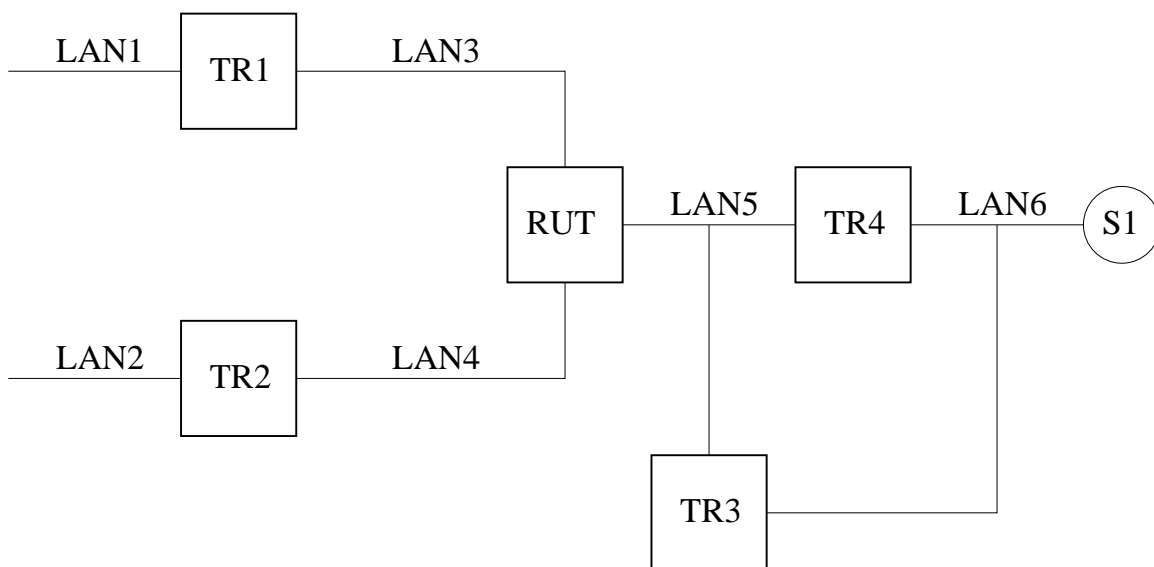


Figure 4.7: Sending (S,G) Join/Prune Messages test setup

**Procedure:**

*Part A: JoinDesired(S,G)  $\implies$  True/False transaction.*

1. Configure TR4 as the RP. Start the RUT, TR1, TR2, and TR4. If necessary, wait until the RP-set in the RUT, TR1, TR2, and TR4 converges.
2. Start observing the (S,G) Join/Prune messages transmitted by the RUT on LAN5.
3. Compose an (S,G) Join message at TR1 with the S address set to the address of S1, and send it to the RUT. The `J/P_HoldTime` of the message should be set to its default value (210).

4. Compose an (S,G) Prune message at TR1 with the S address set to the address of S1, and send it to the RUT. The  $J/P\_HoldTime$  of the message should be set to its default value (210).
5. Compose an (S,G) Join message at TR1 with the S address set to the address of S1, and send it to the RUT. The  $J/P\_HoldTime$  of the message should be set to its default value (210).
6. Compose an (S,G) Join message at TR2 with the S address set to the address of S1, and send it to the RUT. The  $J/P\_HoldTime$  of the message should be set to its default value (210).
7. Compose an (S,G) Prune message at TR2 with the S address set to the address of S1, and send it to the RUT. The  $J/P\_HoldTime$  of the message should be set to its default value (210).

*Part B: (S,G) Join Timer expiration.*

1. Configure TR4 as the RP. Start the RUT, TR1, and TR4. If necessary, wait until the RP-set in the RUT, TR1, and TR4 converges.
2. Start observing the (S,G) Join/Prune messages transmitted by the RUT on LAN5.
3. Compose an (S,G) Join message at TR1 with the S address set to the address of S1, and send it to the RUT. The  $J/P\_HoldTime$  of the message should be set to its default value (210).
4. Keep observing the (S,G) Join/Prune messages transmitted by the RUT on LAN5 for at least  $J/P\_HoldTime$  (210).

*Part C: See (S,G) Join message to RPF'(S,G).*

- Configure TR4 as the RP. Start the RUT, TR1, TR3, and TR4. If necessary, wait until the RP-set in the RUT, TR1, TR3, and TR4 converges.
- Configure the RUT such that the T-bit in LAN Prune Delay Hello Option in the Hello messages sent by the RUT on LAN5 is not set (*i.e.*, joins suppression is not disabled). The T-bit in the Hello messages of TR3 and TR4 can be of any value.
- Start observing the (S,G) Join/Prune messages transmitted by the RUT on LAN5.
- Compose an (S,G) Join message at TR1 with the S address set to the address of S1, and send it to the RUT. The  $J/P\_HoldTime$  of the message should be set to its default value (210).
- Compose an (S,G) Join message at TR3 with the S address set to the address of S1, and send it to TR4 on LAN5. The  $J/P\_HoldTime$  of the message should be set to its default value (210).
- Every  $t\_periodic$  (60 sec) compose an (S,G) Join message at TR3 with the S address set to the address of S1, and send it to TR4 on LAN5. The  $J/P\_HoldTime$  of the message should be set to its default value (210).
- Keep observing the (S,G) Join/Prune messages transmitted by the RUT on LAN5 for at least  $J/P\_HoldTime$  (210).
- Repeat the whole test, but this time by configuring the RUT, TR3, and TR4 such that the T-bit in LAN Prune Delay Hello Option is set (*i.e.*, joins suppression is disabled).

*Part D: See (S,G) Prune message to RPF'(S,G).*

- Configure TR4 as the RP. Start the RUT, TR1, TR3, and TR4. If necessary, wait until the RP-set in the RUT, TR1, TR3, and TR4 converges.
- Start observing the (S,G) Join/Prune messages transmitted by the RUT on LAN5.
- Compose an (S,G) Join message at TR1 with the S address set to the address of S1, and send it to the RUT. The `J/P_HoldTime` of the message should be set to its default value (210).
- Compose an (S,G) Prune message at TR3 with the S address set to the address of S1, and send it to TR4 on LAN5. The `J/P_HoldTime` of the message should be set to its default value (210).
- Keep observing the (S,G) Join/Prune messages transmitted by the RUT on LAN5 for at least `J/P_HoldTime` (210).

*Part E: MRIB.next\_hop(S) Changes.*

- Configure TR4 as the RP. Configure the RUT such that the next-hop router toward S1 is TR4. Start the RUT, TR1, TR3, and TR4. If necessary, wait until the RP-set in the RUT, TR1, TR3, and TR4 converges.
- Start observing the (S,G) Join/Prune messages transmitted by the RUT on LAN5.
- Compose an (S,G) Join message at TR1 with the S address set to the address of S1, and send it to the RUT. The `J/P_HoldTime` of the message should be set to its default value (210).
- Change the MRIB in the RUT such that the next-hop router toward S1 is TR3.
- Keep observing the (S,G) Join/Prune messages transmitted by the RUT on LAN5 for at least `J/P_HoldTime` (210).

*Part F: RPF'(S,G) GenID Changes.*

- Configure TR4 as the RP. Start the RUT, TR1, TR3, and TR4. If necessary, wait until the RP-set in the RUT, TR1, TR3, and TR4 converges.
- Start observing the (S,G) Join/Prune messages transmitted by the RUT on LAN5.
- Compose an (S,G) Join message at TR1 with the S address set to the address of S1, and send it to the RUT. The `J/P_HoldTime` of the message should be set to its default value (210).
- Quit TR4 (*i.e.*, stop it without graceful shutdown), and start it immediately.
- Keep observing the (S,G) Join/Prune messages transmitted by the RUT on LAN5 for at least `J/P_HoldTime` (210).

*Part G: RPF'(S,G) Changes.*

- Configure TR4 as the RP. Configure the RUT such that the next-hop router toward S1 is TR4. Start the RUT, TR1, TR3, and TR4. If necessary, wait until the RP-set in the RUT, TR1, TR3, and TR4 converges.

- Start observing the (S,G) Join/Prune messages transmitted by the RUT on LAN5.
- Compose an (S,G) Join message at TR1 with the S address set to the address of S1, and send it to the RUT. The J/P\_HoldTime of the message should be set to its default value (210).
- Trigger changing of RPF'(S,G) at the RUT to TR3 by composing an (S,G) Assert message at TR3 with RPT-bit, metric and metric preference set to zero, and sending it on LAN5.
- Keep observing the (S,G) Join/Prune messages transmitted by the RUT on LAN5 for at least J/P\_HoldTime (210).

*Part H: See (S,G,rpt) Prune message to RPF'(S,G).*

This part is same as Part D, except that TR3 sends to TR4 (S,G,rpt) Prune instead of (S,G) Prune.

*Part I: See (\*,G) Prune message to RPF'(S,G).*

This part is same as Part D, except that TR3 sends to TR4 (\*,G) Prune instead of (S,G) Prune.

### Observable Results:

*Part A:*

- After TR1 sends its first (S,G) Join message to the RUT, the RUT itself should transmit an (S,G) Join message on LAN5 with the upstream neighbor address set to TR4. The interface that connects the RUT to LAN3 should be added to the set of joined interfaces for the corresponding (S,G) routing state; the incoming interface for that state should be the interface that connects the RUT to LAN5:

```
Xorp> show pim join
Group          Source          RP              Flags
224.0.1.20     10.4.0.2       10.4.0.3       SG
  Upstream interface (S):    dc1
  Upstream interface (RP):   dc1
  Upstream MRIB next hop (RP): 10.2.0.2
  Upstream MRIB next hop (S): 10.2.0.2
  Upstream RPF' (S,G):       10.2.0.2
  Upstream state:           Joined
  Join timer:                53
  Local receiver include WC: .....
  Local receiver include SG: .....
  Local receiver exclude SG: .....
  Joins RP:                  .....
  Joins WC:                   .....
  Joins SG:                   .....O.....
  Join state:                 .....O.....
  Prune state:                .....
  Prune pending state:       .....
  I am assert winner state:  .....
  I am assert loser state:   .....
  Assert winner WC:          .....
  Assert winner SG:          .....
  Assert lost WC:            .....
```

```

Assert lost SG: .....
Assert lost SG_RPT: .....
Assert tracking SG: .....O..O.....
Could assert WC: .....
Could assert SG: .....
I am DR: .....O.O.....
Immediate olist RP: .....
Immediate olist WC: .....
Immediate olist SG: .....O.....
Inherited olist SG: .....O.....
Inherited olist SG_RPT: .....
PIM include WC: .....
PIM include SG: .....
PIM exclude SG: .....

```

- After TR1 sends the (S,G) Prune message to the RUT, the RUT itself should transmit an (S,G) Prune message on LAN5 with the upstream neighbor address set to TR4. The interface that connects the RUT to LAN3 should be removed from the set of joined interfaces for the corresponding (S,G) routing state; as a result, this routing state should be removed.
- After TR1 sends its second (S,G) Join message to the RUT, the result should be same as when TR1 sent its first (S,G) Join message.
- After TR2 sends the (S,G) Join message to the RUT, the interface that connects the RUT to LAN4 should be added to the set of joined interfaces for the corresponding (S,G) routing state; however, the RUT itself should not transmit an (S,G) Join message as a result of that join:

```

Xorp> show pim join
Group          Source          RP              Flags
224.0.1.20    10.4.0.2       10.4.0.3       SG
  Upstream interface (S):    dc1
  Upstream interface (RP):   dc1
  Upstream MRIB next hop (RP): 10.2.0.2
  Upstream MRIB next hop (S): 10.2.0.2
  Upstream RPF' (S,G):      10.2.0.2
  Upstream state:           Joined
  Join timer:                2
  Local receiver include WC: .....
  Local receiver include SG: .....
  Local receiver exclude SG: .....
  Joins RP:                  .....
  Joins WC:                   .....
  Joins SG:                   .....O.O.....
  Join state:                 .....O.O.....
  Prune state:                .....
  Prune pending state:       .....
  I am assert winner state:  .....
  I am assert loser state:   .....

```

```

Assert winner WC: .....
Assert winner SG: .....
Assert lost WC: .....
Assert lost SG: .....
Assert lost SG_RPT: .....
Assert tracking SG: .....OO.O.....
Could assert WC: .....
Could assert SG: .....
I am DR: .....O.....
Immediate olist RP: .....
Immediate olist WC: .....
Immediate olist SG: .....O.O.....
Inherited olist SG: .....O.O.....
Inherited olist SG_RPT: .....
PIM include WC: .....
PIM include SG: .....
PIM exclude SG: .....

```

- After TR2 sends the (S,G) Prune message to the RUT, the interface that connects the RUT to LAN4 should be removed from the set of joined interfaces for the corresponding (S,G) routing state; however, the RUT itself should not transmit an (S,G) Prune message as a result of that prune:

```

Xorp> show pim join
Group          Source          RP              Flags
224.0.1.20    10.4.0.2       10.4.0.3       SG
  Upstream interface (S):  dcl
  Upstream interface (RP): dcl
  Upstream MRIB next hop (RP): 10.2.0.2
  Upstream MRIB next hop (S): 10.2.0.2
  Upstream RPF'(S,G):      10.2.0.2
  Upstream state:         Joined
  Join timer:             3
  Local receiver include WC: .....
  Local receiver include SG: .....
  Local receiver exclude SG: .....
  Joins RP:               .....
  Joins WC:               .....
  Joins SG:               .....O.....
  Join state:              .....O.....
  Prune state:             .....
  Prune pending state:    .....
  I am assert winner state: .....
  I am assert loser state: .....
  Assert winner WC:       .....
  Assert winner SG:       .....
  Assert lost WC:         .....
  Assert lost SG:         .....

```

```

Assert lost SG_RPT:      .....
Assert tracking SG:     .....O..O.....
Could assert WC:        .....
Could assert SG:        .....
I am DR:                .....O.....
Immediate olist RP:     .....
Immediate olist WC:     .....
Immediate olist SG:     .....O.....
Inherited olist SG:     .....O.....
Inherited olist SG_RPT: .....
PIM include WC:         .....
PIM include SG:         .....
PIM exclude SG:        .....

```

*Part B:*

- Until after TR1 sends the (S,G) Join message, the results should be same as in Part A.
- After the RUT receives the (S,G) Join message, it should start transmitting itself (S,G) Join messages on LAN5 with the upstream neighbor address set to TR4: one message every  $t\_periodic$  (60 sec).

*Part C:*

- Until after TR1 sends the (S,G) Join message, the results should be same as in Part A.
- After the RUT receives the (S,G) Join message, it should transmit itself an (S,G) Join message on LAN5 with the upstream neighbor address set to TR4. The Join Timer in the corresponding (S,G) state to send the next message should be set to  $t\_periodic$  (60 sec):

```

Xorp> show pim join
Group          Source          RP              Flags
224.0.1.20    10.4.0.2       10.4.0.3       SG
  Upstream interface (S):  dc1
  Upstream interface (RP): dc1
  Upstream MRIB next hop (RP): 10.2.0.2
  Upstream MRIB next hop (S): 10.2.0.2
  Upstream RPF' (S,G):      10.2.0.2
  Upstream state:          Joined
  Join timer:              56
  Local receiver include WC: .....
  Local receiver include SG: .....
  Local receiver exclude SG: .....
  Joins RP:                .....
  Joins WC:                .....
  Joins SG:                .....O.....
  Join state:              .....O.....
  Prune state:             .....

```



```

Prune pending state: .....
I am assert winner state: .....
I am assert loser state: .....
Assert winner WC: .....
Assert winner SG: .....
Assert lost WC: .....
Assert lost SG: .....
Assert lost SG_RPT: .....
Assert tracking SG: .....O..O.....
Could assert WC: .....
Could assert SG: .....
I am DR: .....O.....
Immediate olist RP: .....
Immediate olist WC: .....
Immediate olist SG: .....O.....
Inherited olist SG: .....O.....
Inherited olist SG_RPT: .....
PIM include WC: .....
PIM include SG: .....
PIM exclude SG: .....

```

- After TR3 sends the (S,G) Join message to TR4, it should suppress the generation of the (S,G) Join message at the RUT by increasing the Join Timer in the corresponding (S,G) entry to `t_joinsuppress` (see the protocol specification for description of its value):

```

Xorp> show pim join
Group          Source          RP              Flags
224.0.1.20    10.4.0.2       10.4.0.3       SG
  Upstream interface (S):    dc1
  Upstream interface (RP):   dc1
  Upstream MRIB next hop (RP): 10.2.0.2
  Upstream MRIB next hop (S): 10.2.0.2
  Upstream RPF'(S,G):       10.2.0.2
  Upstream state:           Joined
  Join timer:                75
  Local receiver include WC: .....
  Local receiver include SG: .....
  Local receiver exclude SG: .....
  Joins RP:                  .....
  Joins WC:                   .....
  Joins SG:                   .....O.....
  Join state:                 .....O.....
  Prune state:                .....
  Prune pending state:       .....
  I am assert winner state:   .....
  I am assert loser state:   .....
  Assert winner WC:          .....

```

```

Assert winner SG:      .....
Assert lost WC:       .....
Assert lost SG:       .....
Assert lost SG_RPT:   .....
Assert tracking SG:   .....O..O.....
Could assert WC:      .....
Could assert SG:      .....
I am DR:              .....O.....
Immediate olist RP:   .....
Immediate olist WC:   .....
Immediate olist SG:   .....O.....
Inherited olist SG:   .....O.....
Inherited olist SG_RPT: .....
PIM include WC:      .....
PIM include SG:      .....
PIM exclude SG:      .....

```

- While TR3 keeps sending (S,G) Join messages to TR4, the RUT should not generate (S,G) Join messages on its own.
- When the test is repeated with the T-bit set, the (S,G) Join messages sent by TR3 should not suppress the (S,G) Join messages generated by the RUT. In other words, after the RUT receives the (S,G) Join message, it should start transmitting itself (S,G) Join messages on LAN5 with the upstream neighbor address set to TR4: one message every  $t\_periodic$  (60 sec).

*Part D:*

- Until before TR3 sends the (S,G) Prune message, the results should be same as in Part C (right before TR3 sends the (S,G) Join message).
- After TR3 sends the (S,G) Prune message to TR4, the Join Timer in the RUT for the corresponding (S,G) state should be decreased to  $t\_override$  (rand(0, 2.5) sec). As a result, the RUT should generate almost immediately an (S,G) Join message to TR4.
- After that the RUT should continue transmitting (S,G) Join messages to TR4 as normal: one message every  $t\_periodic$  (60 sec).

*Part E:*

- Until before the MRIB is changed, the results should be same as in Part C (right before TR3 sends the (S,G) Join message).
- After the MRIB is changed, the RUT should send an (S,G) Prune message to TR2 (the old upstream router toward the RP), and right after that it should send an (S,G) Join message to TR3 (the new upstream router toward the RP). The corresponding (S,G) state in the RUT should indicate the new upstream router, and the Join Timer should be set to  $t\_periodic$  (60 sec):

```

Xorp> show pim join
Group          Source          RP              Flags
224.0.1.20    10.4.0.2        10.4.0.3       SG
  Upstream interface (S):    dc1
  Upstream interface (RP):   dc1
  Upstream MRIB next hop (RP): 10.2.0.3
  Upstream MRIB next hop (S): 10.2.0.3
  Upstream RPF'(S,G):        10.2.0.3
  Upstream state:            Joined
  Join timer:                 53
  Local receiver include WC: .....
  Local receiver include SG: .....
  Local receiver exclude SG: .....
  Joins RP:                   .....
  Joins WC:                   .....
  Joins SG:                   .....O.....
  Join state:                  .....O.....
  Prune state:                 .....
  Prune pending state:        .....
  I am assert winner state:    .....
  I am assert loser state:     .....
  Assert winner WC:           .....
  Assert winner SG:           .....
  Assert lost WC:             .....
  Assert lost SG:             .....
  Assert lost SG_RPT:         .....
  Assert tracking SG:         .....O..O.....
  Could assert WC:            .....
  Could assert SG:            .....
  I am DR:                     .....O.....
  Immediate olist RP:         .....
  Immediate olist WC:         .....
  Immediate olist SG:         .....O.....
  Inherited olist SG:         .....O.....
  Inherited olist SG_RPT:     .....
  PIM include WC:             .....
  PIM include SG:             .....
  PIM exclude SG:             .....

```

- After that the RUT should continue transmitting (S,G) Join messages to TR3 as normal: one message every `t_periodic` (60 sec).

*Part F:*

- Until before TR4 is restarted, the results should be same as in Part C (right before TR3 sends the (S,G) Join message).

- After TR4 is restarted, the Join Timer in the RUT for the corresponding (S,G) state should be decreased to `t_override` (`rand(0, 2.5)` sec). As a result, the RUT should generate almost immediately an (S,G) Join message to TR4.
- After that the RUT should continue transmitting (S,G) Join messages to TR4 as normal: one message every `t_periodic` (60 sec).

*Part G:*

- Until before `RPF'(S,G)` is changed, the results should be same as in Part C (right before TR3 sends the (S,G) Join message).
- After `RPF'(S,G)` is changed, the Join Timer in the RUT for the corresponding (S,G) state should be decreased to `t_override` (`rand(0, 2.5)` sec). As a result, the RUT should generate almost immediately an (S,G) Join message to TR3. The `RPF'(*,G)` for the corresponding (\*,G) state should be set to TR3:

```
Xorp> show pim join
Group          Source          RP              Flags
224.0.1.20     10.4.0.2        10.4.0.3        SG SPT
  Upstream interface (S):    dc1
  Upstream interface (RP):   dc1
  Upstream MRIB next hop (RP): 10.2.0.2
  Upstream MRIB next hop (S): 10.2.0.2
  Upstream RPF'(S,G):        10.2.0.3
  Upstream state:            Joined
  Join timer:                 49
  Local receiver include WC: .....
  Local receiver include SG: .....
  Local receiver exclude SG: .....
  Joins RP:                   .....
  Joins WC:                   .....
  Joins SG:                   .....O.....
  Join state:                  .....O.....
  Prune state:                 .....
  Prune pending state:        .....
  I am assert winner state:    .....
  I am assert loser state:     .....O.....
  Assert winner WC:           .....
  Assert winner SG:           .....
  Assert lost WC:             .....
  Assert lost SG:             .....
  Assert lost SG_RPT:         .....
  Assert tracking SG:         .....O..O.....
  Could assert WC:            .....
  Could assert SG:            .....O.....
  I am DR:                     .....O.O.....
  Immediate olist RP:         .....
```

```

Immediate olist WC:      .....
Immediate olist SG:      .....O.....
Inherited olist SG:     .....O.....
Inherited olist SG_RPT: .....
PIM include WC:         .....
PIM include SG:         .....
PIM exclude SG:        .....

```

- After that the RUT should continue transmitting (S,G) Join messages to TR3 as normal: one message every `t_periodic` (60 sec).

*Part H:*

- Until before TR3 sends the (S,G) Prune message, the results should be same as in Part C (right before TR3 sends the (S,G) Join message).
- After TR3 sends the (S,G,rpt) Prune message to TR4, the Join Timer in the RUT for the corresponding (S,G) state should be decreased to `t_override` (rand(0, 2.5) sec). As a result, the RUT should generate almost immediately an (S,G) Join message to TR4.
- After that the RUT should continue transmitting (S,G) Join messages to TR4 as normal: one message every `t_periodic` (60 sec).

*Part I:*

- Until before TR3 sends the (S,G) Prune message, the results should be same as in Part C (right before TR3 sends the (S,G) Join message).
- After TR3 sends the (\*,G) Prune message to TR4, the Join Timer in the RUT for the corresponding (S,G) state should be decreased to `t_override` (rand(0, 2.5) sec). As a result, the RUT should generate almost immediately an (S,G) Join message to TR4.
- After that the RUT should continue transmitting (S,G) Join messages to TR4 as normal: one message every `t_periodic` (60 sec).

**Possible Problems:** In Part E, after the MRIB is changed, the (S,G) Join message might be sent before the (S,G) Prune message. In Part G, if the Assert generated by TR3 is not preferred when compared to the assert metric of TR4, the RPF'(S,G) in the RUT will not be changed.

## 4.8 (S,G,rpt) Periodic Messages

**Purpose:** Verify that (S,G,rpt) Prune periodic messages are sent properly.

**References:**

- draft-ietf-pim-sm-v2-new-05 – Section 4.5.8

**Discussion:** When a router is going to send a Join (\*,G) message, it may need to include a Prune (S,G,rpt) in the compound Join/Prune message for each (S,G) it has state.

**Test Setup:** Connect the RUT, TR1, TR2, TR3, TR4, and S1 according to Figure 4.8. Configure the IP address of the interface that connects TR4 to LAN6 as the RP. Configure the RUT such that the next-hop router toward the RP is TR2. Configure TR3 such that the next-hop router toward S1 is TR4.

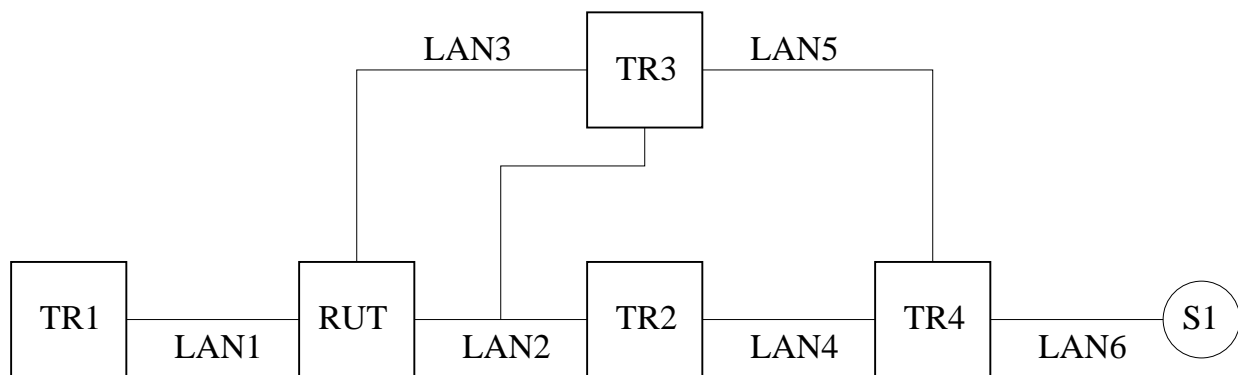


Figure 4.8: (S,G,rpt) periodic messages test setup

**Procedure:**

Part A:  $SPTbit(S,G) == TRUE$ .

1. Configure the RUT such that the next hop router toward S1 is TR2. Start the RUT, TR1, TR2, TR3, and TR4. If necessary, wait until the RP-set in the RUT, TR1, TR2, TR3, and TR4 converges.
2. Start observing the Join/Prune messages transmitted by the RUT on LAN2.
3. Compose an (\*,G) Join message at TR1, and send it to the RUT. The  $J/P\_HoldTime$  of the message should be set to its default value (210).
4. Compose an (S,G) Join message at TR1 with the S address set to the address of S1, and send it to the RUT. The  $J/P\_HoldTime$  of the message should be set to its default value (210).
5. Start S1.
6. Keep observing the Join/Prune messages transmitted by the RUT on LAN2 until the next (\*,G) Join message is transmitted on LAN2 (i.e., for at least  $t\_periodic$  (60 sec)).
7. Change the MRIB in the RUT such that the next-hop router toward S1 is the interface that connects TR3 to LAN3.

8. Keep observing the Join/Prune messages transmitted by the RUT on LAN2 until the next (\*,G) Join message is transmitted on LAN2 (*i.e.*, for at least  $t_{periodic}$  (60 sec)).
9. Change the MRIB in the RUT such that the next-hop router toward S1 is TR2.
10. Keep observing the Join/Prune messages transmitted by the RUT on LAN2 until the next (\*,G) Join message is transmitted on LAN2 (*i.e.*, for at least  $t_{periodic}$  (60 sec)).
11. Repeat the whole test, except that this time change the MRIB in the RUT such that the next-hop router toward S1 is the interface that connects TR3 to LAN2.

*Part B:  $SPTbit(S,G) \neq TRUE$  AND  $inherited\_olist(S,G,rpt) == NULL$ .*

1. Configure the RUT such that the next hop router toward S1 is TR2. Start the RUT, TR1, TR2, and TR4. If necessary, wait until the RP-set in the RUT, TR1, TR2, and TR4 converges.
2. Start observing the Join/Prune messages transmitted by the RUT on LAN2.
3. Compose an (\*,G) Join message at TR1, and send it to the RUT. The  $J/P\_HoldTime$  of the message should be set to its default value (210).
4. Compose an (S,G,rpt) Prune message at TR1 with the S address set to the address of S1, and send it to the RUT. The  $J/P\_HoldTime$  of the message should be set to its default value (210).
5. Keep observing the Join/Prune messages transmitted by the RUT on LAN2 until the next (\*,G) Join message is transmitted on LAN2 (*i.e.*, for at least  $t_{periodic}$  (60 sec)).
6. Compose an (S,G,rpt) Join message at TR1 with the S address set to the address of S1, and send it to the RUT. The  $J/P\_HoldTime$  of the message should be set to its default value (210).
7. Keep observing the Join/Prune messages transmitted by the RUT on LAN2 until the next (\*,G) Join message is transmitted on LAN2 (*i.e.*, for at least  $t_{periodic}$  (60 sec)).

*Part C:  $SPTbit(S,G) \neq TRUE$  AND  $inherited\_olist(S,G,rpt) \neq NULL$  AND  $RPF'(*,G) \neq RPF'(S,G,rpt)$ .*

1. Configure the RUT such that the next hop router toward S1 is TR2. Start the RUT, TR1, TR2, TR3, and TR4. If necessary, wait until the RP-set in the RUT, TR1, TR2, TR3, and TR4 converges.
2. Start observing the Join/Prune messages transmitted by the RUT on LAN2.
3. Compose an (\*,G) Join message at TR1, and send it to the RUT. The  $J/P\_HoldTime$  of the message should be set to its default value (210).
4. Trigger changing of  $RPF'(S,G,rpt)$  at the RUT to TR3 by composing an (S,G) Assert message at TR3 with RPT-bit, metric and metric preference set to zero, and sending it on LAN2.
5. Keep observing the Join/Prune messages transmitted by the RUT on LAN2 until the next (\*,G) Join message is transmitted on LAN2 (*i.e.*, for at least  $t_{periodic}$  (60 sec)).
6. Trigger changing of  $RPF'(S,G,rpt)$  at the RUT to TR2 by composing an (S,G) Assert message at TR3 with RPT-bit set to zero, metric and metric preference set to 10000, and sending it on LAN2. Right after that compose an (S,G) Assert message at TR2 with RPT-bit, metric and metric preference set to zero, and send it on LAN2.

7. Keep observing the Join/Prune messages transmitted by the RUT on LAN2 until the next (\*,G) Join message is transmitted on LAN2 (*i.e.*, for at least `t_periodic` (60 sec)).

## Observable Results:

### Part A:

- After TR1 sends the (\*,G) Join message to the RUT, the RUT itself should transmit an (\*,G) Join message on LAN2 with the upstream neighbor address set to TR2. The interface that connects the RUT to LAN1 should be added to the set of joined interfaces for the corresponding (\*,G) routing state; the incoming interface for that state should be the interface that connects the RUT to LAN2. The results for the (S,G) Join message should be similar:

```
Xorp> show pim join
Group          Source          RP              Flags
224.0.1.20     0.0.0.0         10.4.0.1       WC
  Upstream interface (RP):  dc1
  Upstream MRIB next hop (RP): 10.2.0.2
  Upstream RPF' (*,G):        10.2.0.2
  Upstream state:              Joined
  Join timer:                   13
  Local receiver include WC: .....
  Joins RP:                      .....
  Joins WC:                       .....O.....
  Join state:                      .....O.....
  Prune state:                     .....
  Prune pending state:             .....
  I am assert winner state:        .....
  I am assert loser state:         .....
  Assert winner WC:                .....
  Assert lost WC:                  .....
  Assert tracking WC:              .....O..O.....
  Could assert WC:                  .....O.....
  I am DR:                          .....O.....
  Immediate olist RP:               .....
  Immediate olist WC:               .....O.....
  Inherited olist SG:                .....
  Inherited olist SG_RPT:           .....
  PIM include WC:                   .....
224.0.1.20     10.4.0.2        10.4.0.1       SG
  Upstream interface (S):          dc1
  Upstream interface (RP):          dc1
  Upstream MRIB next hop (RP):      10.2.0.2
  Upstream MRIB next hop (S):       10.2.0.2
  Upstream RPF' (S,G):              10.2.0.2
  Upstream state:                   Joined
  Join timer:                        40
  Local receiver include WC:        .....
```



```

Local receiver include SG: .....
Local receiver exclude SG: .....
Joins RP: .....
Joins WC: .....O.....
Joins SG: .....O.....
Join state: .....O.....
Prune state: .....
Prune pending state: .....
I am assert winner state: .....
I am assert loser state: .....
Assert winner WC: .....
Assert winner SG: .....
Assert lost WC: .....
Assert lost SG: .....
Assert lost SG_RPT: .....
Assert tracking SG: .....O..O.....
Could assert WC: .....O.....
Could assert SG: .....
I am DR: .....O.....
Immediate olist RP: .....
Immediate olist WC: .....O.....
Immediate olist SG: .....O.....
Inherited olist SG: .....O.....
Inherited olist SG_RPT: .....
PIM include WC: .....
PIM include SG: .....
PIM exclude SG: .....

```

- After S1 is started, the SPT bit for the (S,G) routing state should be set:

```

Xorp> show pim join
<del>
224.0.1.20      10.4.0.2      10.4.0.1      SG SPT
<del>

```

- Before the MRIB in the RUT is changed, the periodic (\*,G) Join messages sent by the RUT on LAN2 to neighbor TR2, may contain (S,G) Join inside, but it must not contain (S,G,rpt) Prune.
- After the MRIB in the RUT is changed for first time, the periodic (\*,G) Join messages sent by the RUT on LAN2 to neighbor TR2 must contain (S,G,rpt) Prune as well.
- After the MRIB in the RUT is changed for second time, the periodic (\*,G) Join messages sent by the RUT on LAN2 to neighbor TR2 must not contain (S,G,rpt) Prune.
- When the test is repeated such that the MRIB in the RUT is changed so the next-hop router toward S1 is the interface that connects TR3 to LAN2, the results should be same.

*Part B:*

- Until after TR1 sends the (\*,G) Join message, the results should be same as in Part A.
- After the RUT receives the (S,G,rpt) Prune message, it should send (S,G,rpt) Prune message on LAN2 with the upstream neighbor address set to TR2. In addition to the (\*,G) entry, the RUT must contain also (S,G,rpt) entry that is in Pruned state:

```
Xorp> show pim join
Group          Source          RP              Flags
224.0.1.20    0.0.0.0         10.4.0.1       WC
<del>
224.0.1.20    10.4.0.2        10.4.0.1       SG_RPT
  Upstream interface (S):    dc1
  Upstream interface (RP):   dc1
  Upstream MRIB next hop (RP): 10.2.0.2
  Upstream RPF' (S,G,rpt):   10.2.0.2
  Upstream state:           Pruned
  Override timer:           -1
  Local receiver include WC: .....
  Joins RP:                 .....
  Joins WC:                 .....O.....
  Prunes SG_RPT:           .....O.....
  Join state:               .....
  Prune state:              .....O.....
  Prune pending state:     .....
  Prune tmp state:         .....
  Prune pending tmp state: .....
  Assert winner WC:        .....
  Assert lost WC:          .....
  Could assert WC:         .....
  Could assert SG:         .....
  I am DR:                 .....O.....
  Immediate olist RP:      .....
  Immediate olist WC:      .....O.....
  Inherited olist SG:      .....
  Inherited olist SG_RPT:  .....
  PIM include WC:         .....
```

Until before the (S,G,rpt) Join is received, the periodic (\*,G) Join messages sent by the RUT on LAN2 to neighbor TR2 must contain (S,G,rpt) Prune as well.

- After the (S,G,rpt) Join is received, the RUT must send (S,G,rpt) Join message on LAN2 to neighbor TR2, and the (S,G,rpt) entry should be removed (if it is not removed, it must be in Not Pruned state). Further, the periodic (\*,G) Join messages sent by the RUT on LAN2 to neighbor TR2 must not contain (S,G,rpt) Prune anymore.

*Part C:*

- Until after TR1 sends the (\*,G) Join message, the results should be same as in Part A.

- After the RPF'(S,G,rpt) at the RUT is changed by the (S,G) Assert message transmitted by TR3 on LAN2, the RUT must send (S,G,rpt) Prune message on LAN2 with the upstream neighbor address set to TR2. In addition to the (\*,G) entry, the RUT must contain also an (S,G,rpt) entry that is in Pruned state, and an (S,G) entry that contains the Assert information:

```
Xorp> show pim join
Group          Source          RP              Flags
224.0.1.20    0.0.0.0        10.4.0.1       WC
<del>
224.0.1.20    10.4.0.2       10.4.0.1       SG_RPT
  Upstream interface (S):    dcl
  Upstream interface (RP):   dcl
  Upstream MRIB next hop (RP): 10.2.0.2
  Upstream RPF'(S,G,rpt):    10.2.0.4
  Upstream state:           Pruned
  Override timer:           -1
  Local receiver include WC: .....
  Joins RP:                  .....
  Joins WC:                   .....O.....
  Prunes SG_RPT:             .....
  Join state:                 .....
  Prune state:                .....
  Prune pending state:       .....
  Prune tmp state:           .....
  Prune pending tmp state:   .....
  Assert winner WC:          .....
  Assert lost WC:            .....
  Assert lost SG_RPT:       .....
  Could assert WC:           .....O.....
  Could assert SG:           .....O.....
  I am DR:                   .....O.....
  Immediate olist RP:        .....
  Immediate olist WC:        .....O.....
  Inherited olist SG:        .....
  Inherited olist SG_RPT:    .....O.....
  PIM include WC:            .....
224.0.1.20    10.4.0.2       10.4.0.1       SG SPT
  Upstream interface (S):    dcl
  Upstream interface (RP):   dcl
  Upstream MRIB next hop (RP): 10.2.0.2
  Upstream MRIB next hop (S): 10.2.0.2
  Upstream RPF'(S,G):       10.2.0.4
  Upstream state:           NotJoined
  Join timer:                -1
  Local receiver include WC: .....
  Local receiver include SG: .....
  Local receiver exclude SG: .....
```

```

Joins RP: .....
Joins WC: .....O.....
Joins SG: .....
Join state: .....
Prune state: .....
Prune pending state: .....
I am assert winner state: .....
I am assert loser state: .....O.....
Assert winner WC: .....
Assert winner SG: .....
Assert lost WC: .....
Assert lost SG: .....
Assert lost SG_RPT: .....
Assert tracking SG: .....O.....
Could assert WC: .....O.....
Could assert SG: .....O.....
I am DR: .....O.....
Immediate olist RP: .....
Immediate olist WC: .....O.....
Immediate olist SG: .....
Inherited olist SG: .....O.....
Inherited olist SG_RPT: .....
PIM include WC: .....
PIM include SG: .....
PIM exclude SG: .....

```

Until before the RPF'(S,G,rpt) at the RUT is changed back to TR2, the periodic (\*,G) Join messages sent by the RUT on LAN2 to neighbor TR2 must contain (S,G,rpt) Prune as well.

- Right after the RPF'(S,G,rpt) at the RUT is changed back to TR2 as a result of the second and third Assert messages sent by TR3 and TR2 on LAN2, the RUT must send an (S,G,rpt) Join message on LAN2 with the upstream neighbor address set to TR2. The (S,G,rpt) entry at the RUT may be removed, but the (S,G) entry must be kept until the new Assert state expires, and it must indicate that RPF'(S,G) has changed back to TR2:

```

Xorp> show pim join
224.0.1.20      10.4.0.2      10.4.0.1      SG SPT
  Upstream interface (S):    dc1
  Upstream interface (RP):   dc1
  Upstream MRIB next hop (RP): 10.2.0.2
  Upstream MRIB next hop (S): 10.2.0.2
  Upstream RPF'(S,G):        10.2.0.2
  Upstream state:            NotJoined
  Join timer:                 -1
  Local receiver include WC: .....
  Local receiver include SG: .....
  Local receiver exclude SG: .....

```

```

Joins RP: .....
Joins WC: .....O.....
Joins SG: .....
Join state: .....
Prune state: .....
Prune pending state: .....
I am assert winner state: .....
I am assert loser state: .....O.....
Assert winner WC: .....
Assert winner SG: .....
Assert lost WC: .....
Assert lost SG: .....
Assert lost SG_RPT: .....
Assert tracking SG: .....O.....
Could assert WC: .....O.....
Could assert SG: .....O.....
I am DR: .....O.....
Immediate olist RP: .....
Immediate olist WC: .....O.....
Immediate olist SG: .....
Inherited olist SG: .....O.....
Inherited olist SG_RPT: .....
PIM include WC: .....
PIM include SG: .....
PIM exclude SG: .....

```

Further, the periodic (\*,G) Join messages sent by the RUT on LAN2 to neighbor TR2 must not contain (S,G,rpt) Prune anymore.

**Possible Problems:** In Part C, if the first Assert generated by TR3 is not preferred when compared to the assert metric of TR2, the RPF'(S,G,rpt) in the RUT will not be changed. In Part C, after the RPF'(S,G,rpt) in the RUT is changed back to TR2, the RUT may transmit two identical (S,G,rpt) Join messages on LAN2 with the upstream neighbor address set to TR2 within the very short random interval  $t_{\text{override}}$  (rand(0, 2.5) sec).

## 4.9 State Machine for (S,G,rpt) Triggered Messages

**Purpose:** Verify that (S,G,rpt) Prune triggered messages are sent properly.

**References:**

- draft-ietf-pim-sm-v2-new-05 – Section 4.5.9

**Discussion:** When a router has (\*,G) or (\*,\*,RP) join state, it may be required to keep state machine for (S,G,rpt) triggered messages if the router or any of its upstream LAN peers wishes to prune S off the RP tree.

**Test Setup:** Connect the RUT, TR1, TR2, TR3, TR4, and S1 according to Figure 4.9. Configure the IP address of the interface that connects TR4 to LAN6 as the RP. Configure the RUT such that the next-hop router toward the RP is TR2. Configure TR3 such that the next-hop router toward S1 is TR4.

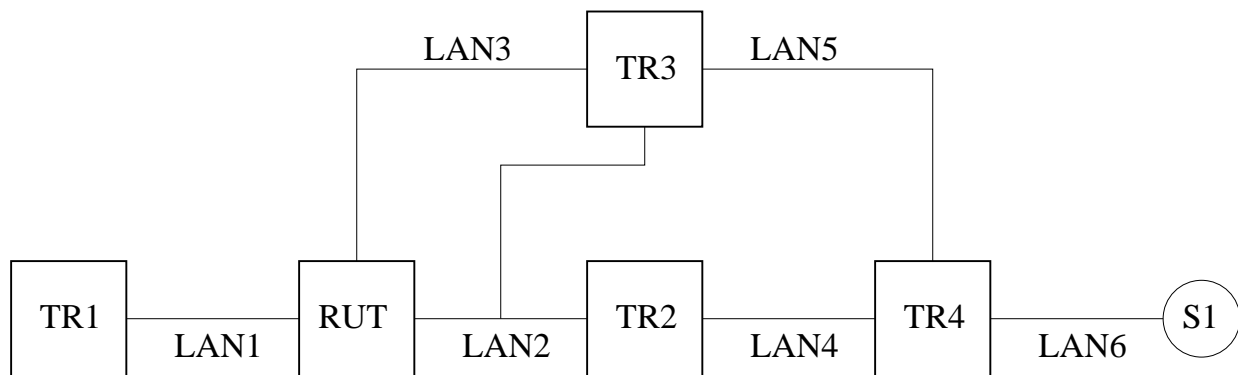


Figure 4.9: State machine for (S,G,rpt) triggered messages test setup

**Procedure:**

*Part A: PruneDesired(S,G,rpt)  $\implies$  True transaction in RPTNotJoined(G) state triggered by inheritedolist(S,G,rpt) == NULL.*

1. Configure the RUT such that the next hop router toward S1 is TR2. Start the RUT, TR1, TR2, TR3, and TR4. If necessary, wait until the RP-set in the RUT, TR1, TR2, TR3, and TR4 converges.
2. Start observing the Join/Prune messages transmitted by the RUT on LAN2.
3. Compose an (\*,G) Join message at TR1 that contains also (S,G,rpt) Prune with the S address set to the address of S1, and send it to the RUT. The  $J/P\_HoldTime$  of the message should be set to its default value (210).
4. Observe the Join/Prune messages transmitted by the RUT on LAN2 and the (S,G,rpt) state in the RUT.
5. Repeat the test with sending (\*,\*,RP) Join instead of (\*,G) Join.

*Part B: PruneDesired(S,G,rpt)  $\implies$  True transaction in RPTNotJoined(G) state triggered by (SPTbit(S,G) == TRUE AND (RPF'(\*,G) != RPF'(S,G)))*

1. Configure the RUT such that the next hop router toward S1 is the interface that connects TR3 to LAN2. Start the RUT, TR1, TR2, TR3, and TR4. If necessary, wait until the RP-set in the RUT, TR1, TR2, TR3, and TR4 converges.
2. Start observing the Join/Prune messages transmitted by the RUT on LAN2.
3. Compose an (S,G) Join message at TR1 with the S address set to the address of S1, and send it to the RUT. The  $J/P\_HoldTime$  of the message should be set to its default value (210).
4. Start S1.
5. Compose an (\*,G) Join message at TR1, and send it to the RUT. The  $J/P\_HoldTime$  of the message should be set to its default value (210).
6. Observe the Join/Prune messages transmitted by the RUT on LAN2 and the (S,G,rpt) state in the RUT.
7. Repeat the test with sending (\*,\*,RP) Join instead of (\*,G) Join.

*Part C:  $PruneDesired(S,G,rpt) \implies True$  transaction in  $NotPruned(S,G,rpt)$  state triggered by  $inherited\_olist(S,G,rpt) == NULL$ .*

1. Configure the RUT such that the next hop router toward S1 is TR2. Start the RUT, TR1, TR2, TR3, and TR4. If necessary, wait until the RP-set in the RUT, TR1, TR2, TR3, and TR4 converges.
2. Start observing the Join/Prune messages transmitted by the RUT on LAN2.
3. Compose an (\*,G) Join message at TR1, and send it to the RUT. The  $J/P\_HoldTime$  of the message should be set to its default value (210).
4. Compose an (S,G,rpt) Prune message at TR1 with the S address set to the address of S1, and send it to the RUT. The  $J/P\_HoldTime$  of the message should be set to its default value (210).
5. Observe the Join/Prune messages transmitted by the RUT on LAN2 and the (S,G,rpt) state in the RUT.
6. Repeat the test with sending (\*,\*,RP) Join instead of (\*,G) Join.

*Part D:  $PruneDesired(S,G,rpt) \implies True$  transaction in  $NotPruned(S,G,rpt)$  state triggered by  $(SPTbit(S,G) == TRUE AND (RPF'(*,G) \neq RPF'(S,G)))$*

1. Configure the RUT such that the next hop router toward S1 is the interface that connects TR3 to LAN3. Start the RUT, TR1, TR2, TR3, and TR4. If necessary, wait until the RP-set in the RUT, TR1, TR2, TR3, and TR4 converges.
2. Start observing the Join/Prune messages transmitted by the RUT on LAN2.
3. Compose an (\*,G) Join message at TR1, and send it to the RUT. The  $J/P\_HoldTime$  of the message should be set to its default value (210).
4. Compose an (S,G) Join message at TR1 with the S address set to the address of S1, and send it to the RUT. The  $J/P\_HoldTime$  of the message should be set to its default value (210).
5. Start S1.

6. Observe the Join/Prune messages transmitted by the RUT on LAN2 and the (S,G,rpt) state in the RUT.
7. Repeat the test with sending (\*,\*,RP) Join instead of (\*,G) Join.

*Part E: PruneDesired(S,G,rpt)  $\implies$  False transaction in Pruned(S,G,rpt) state triggered by inheritedolist(S,G,rpt)  $\neq$  NULL.*

1. Configure the RUT such that the next hop router toward S1 is TR2. Start the RUT, TR1, TR2, TR3, and TR4. If necessary, wait until the RP-set in the RUT, TR1, TR2, TR3, and TR4 converges.
2. Start observing the Join/Prune messages transmitted by the RUT on LAN2.
3. Compose an (\*,G) Join message at TR1 that contains also (S,G,rpt) Prune with the S address set to the address of S1, and send it to the RUT. The  $\mathcal{J}/\mathcal{P}$ \_HoldTime of the message should be set to its default value (210).
4. Observe the Join/Prune messages transmitted by the RUT on LAN2 and the (S,G,rpt) state in the RUT until the next periodic (\*,G) Join message is transmitted (*i.e.*, after up to  $t_{\text{periodic}}$  (60 sec)).
5. Compose an (S,G,rpt) Join message at TR1 with the S address set to the address of S1, and send it to the RUT. The  $\mathcal{J}/\mathcal{P}$ \_HoldTime of the message should be set to its default value (210).
6. Observe the Join/Prune messages transmitted by the RUT on LAN2 and the (S,G,rpt) state in the RUT.
7. Repeat the test with sending (\*,\*,RP) Join instead of (\*,G) Join.

*Part F: PruneDesired(S,G,rpt)  $\implies$  True transaction in Pruned(S,G,rpt) state triggered by !(SPTbit(S,G) == TRUE AND (RPF'(\*,G)  $\neq$  RPF'(S,G)))*

1. Configure the RUT such that the next hop router toward S1 is the interface that connects TR3 to LAN3. Start the RUT, TR1, TR2, TR3, and TR4. If necessary, wait until the RP-set in the RUT, TR1, TR2, TR3, and TR4 converges.
2. Start observing the Join/Prune messages transmitted by the RUT on LAN2.
3. Compose an (\*,G) Join message at TR1, and send it to the RUT. The  $\mathcal{J}/\mathcal{P}$ \_HoldTime of the message should be set to its default value (210).
4. Compose an (S,G) Join message at TR1 with the S address set to the address of S1, and send it to the RUT. The  $\mathcal{J}/\mathcal{P}$ \_HoldTime of the message should be set to its default value (210).
5. Start S1.
6. Observe the Join/Prune messages transmitted by the RUT on LAN2 and the (S,G,rpt) state in the RUT until the next periodic (\*,G) Join message is transmitted (*i.e.*, after up to  $t_{\text{periodic}}$  (60 sec)).
7. Change the MRIB in the RUT such that the next-hop router router toward S1 is TR2.
8. Observe the Join/Prune messages transmitted by the RUT on LAN2 and the (S,G,rpt) state in the RUT.
9. Repeat the test with sending (\*,\*,RP) Join instead of (\*,G) Join.

*Part G: RPTJoinDesired(G)  $\implies$  False transaction in Pruned(S,G,rpt) state.*



1. Configure the RUT such that the next hop router toward S1 is TR2. Start the RUT, TR1, TR2, TR3, and TR4. If necessary, wait until the RP-set in the RUT, TR1, TR2, TR3, and TR4 converges.
2. Start observing the Join/Prune messages transmitted by the RUT on LAN2.
3. Compose an (\*,G) Join message at TR1 that contains also (S,G,rpt) Prune with the S address set to the address of S1, and send it to the RUT. The  $J/P\_HoldTime$  of the message should be set to its default value (210).
4. Observe the Join/Prune messages transmitted by the RUT on LAN2 and the (S,G,rpt) state in the RUT until the next periodic (\*,G) Join message is transmitted (*i.e.*, after up to  $t\_periodic$  (60 sec)).
5. Compose an (\*,G) Prune message at TR1, and send it to the RUT. The  $J/P\_HoldTime$  of the message should be set to its default value (210).
6. Observe the Join/Prune messages transmitted by the RUT on LAN2 and the (S,G,rpt) state in the RUT.
7. Repeat the test with sending (\*,\*,RP) Join/Prune instead of (\*,G) Join/Prune.

*Part H:  $RPTJoinDesired(G) \implies False$  transaction in  $NotPruned(S,G,rpt)$  state.*

1. Configure the RUT such that the next hop router toward S1 is TR2. Start the RUT, TR1, TR2, TR3, and TR4. If necessary, wait until the RP-set in the RUT, TR1, TR2, TR3, and TR4 converges.
2. Start observing the Join/Prune messages transmitted by the RUT on LAN2.
3. Compose an (\*,G) Join message at TR3, and send it to the RUT on LAN3. The  $J/P\_HoldTime$  of the message should be set to its default value (210).
4. Compose an (\*,G) Join message at TR1 that contains also (S,G,rpt) Prune with the S address set to the address of S1, and send it to the RUT. The  $J/P\_HoldTime$  of the message should be set to its default value (210).
5. Observe the Join/Prune messages transmitted by the RUT on LAN2 and the (S,G,rpt) state in the RUT until the next periodic (\*,G) Join message is transmitted (*i.e.*, after up to  $t\_periodic$  (60 sec)).
6. Compose an (\*,G) Prune message at TR1, and send it to the RUT. The  $J/P\_HoldTime$  of the message should be set to its default value (210).
7. Compose an (\*,G) Prune message at TR3, and send it to the RUT on LAN3. The  $J/P\_HoldTime$  of the message should be set to its default value (210).
8. Observe the Join/Prune messages transmitted by the RUT on LAN2 and the (S,G,rpt) state in the RUT.
9. Repeat the test with sending (\*,\*,RP) Join/Prune instead of (\*,G) Join/Prune.

*Part I:  $inherited\_olist(S,G,rpt) \implies non-NULL$  transaction in  $RPTNotJoined(G)$  state.*

The need for performing this test is implementation-specific. For example, it may not be possible to perform it if an implementation removes (S,G,rpt) entry that is in  $RPTNotJoined(G)$  state. The procedure below assumes that an implementation temporary keeps (S,G,rpt) entries that are in  $RPTNotJoined(G)$  state (*e.g.*, if the (S,G,rpt) entry is removed only after all downstream (S,G,rpt) state machines are in NoInfo state, or only after the corresponding (\*,G) entry is removed as well).

1. Use an implementation-specific procedure to create an (S,G,rpt) entry that is in RPTNotJoined(G) state, and whose all downstream state machine is in NoInfo state. For example, one candidate is the procedure in Part G (an (S,G,rpt) entry may exist at the end of the test).
2. Observe the (S,G,rpt) state in the RUT.
3. Compose an (\*,G) Join message at TR1, and send it to the RUT. The J/P\_HoldTime of the message should be set to its default value (210).
4. Observe the (S,G,rpt) state in the RUT.
5. Repeat the test with sending (\*,\*,RP) Join instead of (\*,G) Join.

*Part J: Prune override behavior in NotPruned(S,G,rpt) state.*

1. Configure the RUT such that the next hop router toward S1 is TR2. Start the RUT, TR1, TR2, TR3, and TR4. If necessary, wait until the RP-set in the RUT, TR1, TR2, TR3, and TR4 converges.
2. Start observing the Join/Prune messages transmitted by the RUT on LAN2.
3. Compose an (\*,G) Join message at TR3, and send it to the RUT on LAN3. The J/P\_HoldTime of the message should be set to its default value (210).
4. Compose an (\*,G) Join message at TR1 that contains also (S,G,rpt) Prune with the S address set to the address of S1, and send it to the RUT. The J/P\_HoldTime of the message should be set to its default value (210).
5. Observe the Join/Prune messages transmitted by the RUT on LAN2 and the (S,G,rpt) state in the RUT.
6. Compose an (S,G,rpt) Prune message at TR3 with the S address set to the address of S1, and send it on LAN2 with the upstream neighbor address set to TR2. The J/P\_HoldTime of the message should be set to its default value (210).
7. Observe the Join/Prune messages transmitted by the RUT on LAN2 and the (S,G,rpt) state in the RUT for at least  $t_{\text{override}}$  (rand(0, 2.5) sec).
8. Compose an (S,G,rpt) Prune message at TR3 with the S address set to the address of S1, and send it on LAN2 with the upstream neighbor address set to TR2. Immediately after that compose an (S,G,rpt) Join message at TR3 with the S address set to the address of S1, and send it on LAN2 with the upstream neighbor address set to TR2. The J/P\_HoldTime of both messages should be set to the default value (210).
9. Observe the Join/Prune messages transmitted by the RUT on LAN2 and the (S,G,rpt) state in the RUT for at least  $t_{\text{override}}$  (rand(0, 2.5) sec).
10. Compose an (S,G) Prune message at TR3 with the S address set to the address of S1, and send it on LAN2 with the upstream neighbor address set to TR2. The J/P\_HoldTime of the message should be set to its default value (210).
11. Observe the Join/Prune messages transmitted by the RUT on LAN2 and the (S,G,rpt) state in the RUT for at least  $t_{\text{override}}$  (rand(0, 2.5) sec).

12. Trigger changing of RPF'(S,G,rpt) at the RUT to TR3 by composing an (S,G) Assert message at TR3 with RPT-bit, metric and metric preference set to zero, and sending it on LAN2.
13. Keep observing the Join/Prune messages transmitted by the RUT on LAN2 until the next (\*,G) Join message is transmitted on LAN2 (*i.e.*, for at least  $t_{\text{periodic}}$  (60 sec)).
14. Trigger changing of RPF'(S,G,rpt) at the RUT to TR2 by composing an (S,G) Assert message at TR3 with RPT-bit set to zero, metric and metric preference set to 10000, and sending it on LAN2. Right after that compose an (S,G) Assert message at TR2 with RPT-bit, metric and metric preference set to zero, and send it on LAN2.
15. Observe the Join/Prune messages transmitted by the RUT on LAN2 and the (S,G,rpt) state in the RUT for at least  $t_{\text{override}}$  (rand(0, 2.5) sec).
16. Repeat the test with sending (\*,\*,RP) Join instead of (\*,G) Join.

## Observable Results:

### Part A:

- After TR1 sends the (\*,G) Join and (S,G,rpt) Prune message to the RUT, the RUT itself should transmit an (\*,G) Join and (S,G,rpt) Prune message on LAN2 with the upstream neighbor address set to TR2. The interface that connects the RUT to LAN1 should be added to the set of joined interfaces for the corresponding (\*,G) routing state, and to the set of interfaces that are in Prune state for the corresponding (S,G,rpt) routing state. The (\*,G) upstream state should be Joined; the (S,G,rpt) upstream state should be Pruned. The `inherited_olist(S,G,rpt)` should be empty:

```
Xorp> show pim join
Group          Source          RP              Flags
224.0.1.20    0.0.0.0         10.4.0.1       WC
  Upstream interface (RP):  dc1
  Upstream MRIB next hop (RP): 10.2.0.2
  Upstream RPF' (*,G):      10.2.0.2
  Upstream state:          Joined
  Join timer:              54
  Local receiver include WC: .....
  Joins RP:                .....
  Joins WC:                .....O.....
  Join state:              .....O.....
  Prune state:             .....
  Prune pending state:    .....
  I am assert winner state: .....
  I am assert loser state: .....
  Assert winner WC:       .....
  Assert lost WC:         .....
  Assert tracking WC:     .....O..O.....
  Could assert WC:        .....O.....
  I am DR:                 .....O.....
  Immediate olist RP:     .....
```

```

Immediate olist WC:          .....O.....
Inherited olist SG:         .....
Inherited olist SG_RPT:     .....
PIM include WC:             .....
224.0.1.20      10.4.0.2      10.4.0.1      SG_RPT
Upstream interface (S):     dc1
Upstream interface (RP):    dc1
Upstream MRIB next hop (RP): 10.2.0.2
Upstream RPF'(S,G,rpt):    10.2.0.2
Upstream state:            Pruned
Override timer:            -1
Local receiver include WC:  .....
Joins RP:                  .....
Joins WC:                  .....O.....
Prunes SG_RPT:             .....O.....
Join state:                 .....
Prune state:                .....O.....
Prune pending state:       .....
Prune tmp state:           .....
Prune pending tmp state:   .....
Assert winner WC:          .....
Assert lost WC:            .....
Assert lost SG_RPT:        .....
Assert tracking SG:         .....
Could assert WC:           .....O.....
Could assert SG:           .....
I am DR:                   .....O.....
Immediate olist RP:         .....
Immediate olist WC:         .....O.....
Inherited olist SG:         .....
Inherited olist SG_RPT:    .....
PIM include WC:            .....

```

- When the test is repeated with sending (\*,\*,RP) Join instead of (\*,G) Join, the results should be similar:

```

Xorp> show pim join
Group          Source          RP          Flags
224.0.0.0      10.4.0.1        10.4.0.1    RP
Upstream interface (RP): dc1
Upstream MRIB next hop (RP): 10.2.0.2
Upstream state:      Joined
Join timer:          49
Joins RP:            .....O.....
Join state:          .....O.....
Prune state:         .....
Prune pending state: .....

```

```

    Could assert WC:          .....O.....
    I am DR:                  .....O.....
    Immediate olist RP:      .....O.....
    Inherited olist SG:      .....
    Inherited olist SG_RPT:  .....
224.0.1.20      10.4.0.2      10.4.0.1      SG_RPT
    Upstream interface (S):  dc1
    Upstream interface (RP): dc1
    Upstream MRIB next hop (RP): 10.2.0.2
    Upstream RPF'(S,G,rpt): 10.2.0.2
    Upstream state:          Pruned
    Override timer:          -1
    Local receiver include WC: .....
    Joins RP:                 .....O.....
    Joins WC:                 .....
    Prunes SG_RPT:           .....O.....
    Join state:               .....
    Prune state:              .....O.....
    Prune pending state:     .....
    Prune tmp state:         .....
    Prune pending tmp state: .....
    Assert winner WC:        .....
    Assert lost WC:          .....
    Assert lost SG_RPT:      .....
    Assert tracking SG:      .....
    Could assert WC:         .....O.....
    Could assert SG:         .....
    I am DR:                  .....O.....
    Immediate olist RP:      .....O.....
    Immediate olist WC:      .....
    Inherited olist SG:      .....
    Inherited olist SG_RPT:  .....
    PIM include WC:          .....

```

Note that the (\*,\*,RP) Join message generated by the RUT might not include (S,G,rpt) Prune (see the list of possible problems at the end of this section).

*Part B:*

- After TR1 sends the (S,G) Join, the RUT should create (S,G) routing state, and should transmit an (S,G) Join on LAN2 with the upstream neighbor address set to TR3.
- After S1 is started, the SPT bit for the (S,G) routing state in the RUT should be set:

```

Xorp> show pim join
Group          Source          RP          Flags
224.0.1.20    10.4.0.2       10.4.0.1    SG SPT
<del>

```

- After TR1 sends the (\*,G) Join to the RUT, the RUT itself should transmit an (\*,G) Join and (S,G,rpt) Prune message on LAN2 with the upstream neighbor address set to TR2. The interface that connects the RUT to LAN1 should be added to the set of joined interfaces for the corresponding (\*,G) routing state. The (\*,G) upstream state should be Joined; the (S,G,rpt) upstream state should be Pruned. The inheritedolist(S,G,rpt) should not be empty:

```
Xorp> show pim join
Group           Source           RP           Flags
224.0.1.20     0.0.0.0         10.4.0.1    WC
  Upstream interface (RP):  dc1
  Upstream MRIB next hop (RP): 10.2.0.2
  Upstream RPF'(*,G):       10.2.0.2
  Upstream state:           Joined
  Join timer:                53
  Local receiver include WC: .....
  Joins RP:                  .....
  Joins WC:                   .....O.....
  Join state:                 .....O.....
  Prune state:                .....
  Prune pending state:       .....
  I am assert winner state:  .....
  I am assert loser state:   .....
  Assert winner WC:          .....
  Assert lost WC:            .....
  Assert tracking WC:        .....O..O.....
  Could assert WC:           .....O.....
  I am DR:                   .....O.....
  Immediate olist RP:        .....
  Immediate olist WC:        .....O.....
  Inherited olist SG:        .....
  Inherited olist SG_RPT:    .....
  PIM include WC:            .....
224.0.1.20     10.4.0.2        10.4.0.1    SG_RPT
  Upstream interface (S):    dc1
  Upstream interface (RP):    dc1
  Upstream MRIB next hop (RP): 10.2.0.2
  Upstream RPF'(S,G,rpt):    10.2.0.2
  Upstream state:            Pruned
  Override timer:            -1
  Local receiver include WC: .....
  Joins RP:                  .....
  Joins WC:                   .....O.....
  Prunes SG_RPT:            .....
  Join state:                 .....
  Prune state:                .....
  Prune pending state:       .....
  Prune tmp state:           .....
```

```

Prune pending tmp state: .....
Assert winner WC: .....
Assert lost WC: .....
Assert lost SG_RPT: .....
Could assert WC: .....O.....
Could assert SG: .....O.....
I am DR: .....O.....
Immediate olist RP: .....
Immediate olist WC: .....O.....
Inherited olist SG: .....
Inherited olist SG_RPT: .....O.....
PIM include WC: .....
224.0.1.20      10.4.0.2      10.4.0.1      SG SPT
Upstream interface (S):  dc1
Upstream interface (RP): dc1
Upstream MRIB next hop (RP): 10.2.0.2
Upstream MRIB next hop (S): 10.2.0.4
Upstream RPF'(S,G):      10.2.0.4
Upstream state:          Joined
Join timer:              47
Local receiver include WC: .....
Local receiver include SG: .....
Local receiver exclude SG: .....
Joins RP: .....
Joins WC: .....O.....
Joins SG: .....O.....
Join state: .....O.....
Prune state: .....
Prune pending state: .....
I am assert winner state: .....
I am assert loser state: .....
Assert winner WC: .....
Assert winner SG: .....
Assert lost WC: .....
Assert lost SG: .....
Assert lost SG_RPT: .....
Assert tracking SG: .....O..O.....
Could assert WC: .....O.....
Could assert SG: .....O.....
I am DR: .....O.....
Immediate olist RP: .....
Immediate olist WC: .....O.....
Immediate olist SG: .....O.....
Inherited olist SG: .....O.....
Inherited olist SG_RPT: .....
PIM include WC: .....
PIM include SG: .....

```

PIM exclude SG: .....

After that the RUT should continue sending periodic (S,G) Join messages on LAN2 with the upstream neighbor address set to TR3, and periodic (\*,G) Join with included (S,G,rpt) Prune messages on LAN2 with the upstream neighbor address set to TR2.

- When the test is repeated with sending (\*,\*,RP) Join instead of (\*,G) Join, the results should be similar.

Part C:

- After TR1 sends the (\*,G) Join message to the RUT, the RUT itself should transmit an (\*,G) Join message on LAN2 with the upstream neighbor address set to TR2. The interface that connects the RUT to LAN1 should be added to the set of joined interfaces for the corresponding (\*,G) routing state. The (\*,G) upstream state should be Joined.
- After TR1 sends the (S,G,rpt) Prune message to the RUT, the RUT itself should transmit an (S,G,rpt) Prune message on LAN2 with the upstream neighbor address set to TR2. The rest of the results should be same as in Part A.
- When the test is repeated with sending (\*,\*,RP) Join instead of (\*,G) Join, the results should be similar. Note that the (\*,\*,RP) Join message generated by the RUT might not include (S,G,rpt) Prune (see the list of possible problems at the end of this section).

Part D:

- After TR1 sends the (\*,G) Join message to the RUT, the RUT itself should transmit an (\*,G) Join message on LAN2 with the upstream neighbor address set to TR2. The interface that connects the RUT to LAN1 should be added to the set of joined interfaces for the corresponding (\*,G) routing state. The (\*,G) upstream state should be Joined.
- After TR1 sends the (S,G) Join message to the RUT, the RUT itself should transmit an (S,G) Join message on LAN3 with the upstream neighbor address set to TR3. The interface that connects the RUT to LAN1 should be added to the set of joined interfaces for the corresponding (S,G) routing state. The (S,G) upstream state should be Joined.
- After S1 is started, the SPT bit for the (S,G) routing state in the RUT should be set:

```
Xorp> show pim join
Group          Source          RP              Flags
224.0.1.20    10.4.0.2       10.4.0.1       SG SPT
<del>
```

Right after the SPT bit is set, the RUT should transmit (S,G,rpt) Prune message on LAN2 with the upstream neighbor address set to TR2 (i.e., toward RPF'(S,G,rpt)). The (S,G,rpt) upstream state inside the RUT should be Pruned:



```

Xorp> show pim join
Group          Source          RP          Flags
224.0.1.20    0.0.0.0         10.4.0.1    WC
  Upstream interface (RP):  dc1
  Upstream MRIB next hop (RP): 10.2.0.2
  Upstream RPF'(*,G):        10.2.0.2
  Upstream state:            Joined
  Join timer:                 31
  Local receiver include WC: .....
  Joins RP:                   .....
  Joins WC:                    .....O.....
  Join state:                  .....O.....
  Prune state:                 .....
  Prune pending state:        .....
  I am assert winner state:    .....
  I am assert loser state:     .....
  Assert winner WC:            .....
  Assert lost WC:              .....
  Assert tracking WC:          .....O..O.....
  Could assert WC:             .....O.....
  I am DR:                     .....O.....
  Immediate olist RP:          .....
  Immediate olist WC:          .....O.....
  Inherited olist SG:          .....
  Inherited olist SG_RPT:      .....
  PIM include WC:              .....
224.0.1.20    10.4.0.2         10.4.0.1    SG_RPT
  Upstream interface (S):      dc2
  Upstream interface (RP):      dc1
  Upstream MRIB next hop (RP): 10.2.0.2
  Upstream RPF'(S,G,rpt):      10.2.0.2
  Upstream state:              Pruned
  Override timer:              -1
  Local receiver include WC: .....
  Joins RP:                     .....
  Joins WC:                      .....O.....
  Prunes SG_RPT:                .....
  Join state:                    .....
  Prune state:                   .....
  Prune pending state:          .....
  Prune tmp state:               .....
  Prune pending tmp state:      .....
  Assert winner WC:             .....
  Assert lost WC:                .....
  Assert lost SG_RPT:           .....
  Could assert WC:               .....O.....
  Could assert SG:               .....O.....

```

```

I am DR: .....O.....
Immediate olist RP: .....
Immediate olist WC: .....O.....
Inherited olist SG: .....
Inherited olist SG_RPT: .....O.....
PIM include WC: .....
224.0.1.20      10.4.0.2      10.4.0.1      SG SPT
Upstream interface (S): dc2
Upstream interface (RP): dc1
Upstream MRIB next hop (RP): 10.2.0.2
Upstream MRIB next hop (S): 10.8.0.2
Upstream RPF'(S,G): 10.8.0.2
Upstream state: Joined
Join timer: 36
Local receiver include WC: .....
Local receiver include SG: .....
Local receiver exclude SG: .....
Joins RP: .....
Joins WC: .....O.....
Joins SG: .....O.....
Join state: .....O.....
Prune state: .....
Prune pending state: .....
I am assert winner state: .....
I am assert loser state: .....
Assert winner WC: .....
Assert winner SG: .....
Assert lost WC: .....
Assert lost SG: .....
Assert lost SG_RPT: .....
Assert tracking SG: .....O.O.....
Could assert WC: .....O.....
Could assert SG: .....O.....
I am DR: .....O.....
Immediate olist RP: .....
Immediate olist WC: .....O.....
Immediate olist SG: .....O.....
Inherited olist SG: .....O.....
Inherited olist SG_RPT: .....
PIM include WC: .....
PIM include SG: .....
PIM exclude SG: .....

```

After that the RUT should continue sending periodic (\*,G) Join with included (S,G,rpt) Prune messages on LAN2 with the upstream neighbor address set to TR2, and periodic (S,G) Join on LAN3 with the upstream neighbor address set to TR3.

- When the test is repeated with sending (\*,\*,RP) Join instead of (\*,G) Join, the results should be

similar. Note that the (\*,\*,RP) Join message generated by the RUT might not include (S,G,rpt) Prune (see the list of possible problems at the end of this section).

*Part E:*

- Until before TR1 sends the (S,G,rpt) Join message to the RUT, the results should be same as in Part A.
- After the (S,G,rpt) Join message is transmitted, the RUT itself should transmit an (S,G,rpt) Join message on LAN2 with the upstream neighbor address set to TR2. The interface that connects the RUT to LAN1 should be removed from the set of interfaces that are in Pruned state, and the (S,G,rpt) upstream state should be Not Pruned (or the (S,G,rpt) entry itself might be removed).
- When the test is repeated with sending (\*,\*,RP) Join instead of (\*,G) Join, the results should be similar. Note that the (\*,\*,RP) Join message generated by the RUT might not include (S,G,rpt) Prune (see the list of possible problems at the end of this section).

*Part F:*

- Until before the MRIB in the RUT is changed, the results should be same as in Part D.
- After the MRIB in the RUT is changed, the RUT itself should transmit an (S,G,rpt) Join message on LAN2 with the upstream neighbor address set to TR2 (note that the (S,G) state machine will trigger (S,G) Join generation toward TR2, therefore the (S,G) Join and (S,G,rpt) Join might be in the same message). The (S,G,rpt) upstream state should be Not Pruned (or the (S,G,rpt) entry itself might be removed).
- When the test is repeated with sending (\*,\*,RP) Join instead of (\*,G) Join, the results should be similar. Note that the (\*,\*,RP) Join message generated by the RUT might not include (S,G,rpt) Prune (see the list of possible problems at the end of this section).

*Part G:*

- Until before TR1 sends the (\*,G) Prune message to the RUT, the results should be same as in Part E.
- After the (\*,G) Prune message is transmitted, the RUT itself should transmit an (\*,G) Prune message on LAN2 with the upstream neighbor address set to TR2. The interface that connects the RUT to LAN1 should be removed from the set of interfaces that are in (\*,G) Join state. The (S,G,rpt) upstream state should be RPTNotJoined(G) (or the (S,G,rpt) entry itself might be removed).
- When the test is repeated with sending (\*,\*,RP) Join instead of (\*,G) Join, the results should be similar. Note that the (\*,\*,RP) Join message generated by the RUT might not include (S,G,rpt) Prune (see the list of possible problems at the end of this section).

*Part H:*

- After both TR3 and TR1 have transmitted their first messages to the RUT, the RUT should contain (\*,G) entry that is in Joined state, and (S,G,rpt) entry that is in NotPruned state:

```

Xorp> show pim join
Group          Source          RP              Flags
224.0.1.20    0.0.0.0        10.4.0.1       WC
  Upstream interface (RP):  dcl
  Upstream MRIB next hop (RP): 10.2.0.2
  Upstream RPF'(*,G):        10.2.0.2
  Upstream state:            Joined
  Join timer:                 32
  Local receiver include WC: .....
  Joins RP:                   .....
  Joins WC:                   .....0.0.....
  Join state:                  .....0.0.....
  Prune state:                 .....
  Prune pending state:        .....
  I am assert winner state:   .....
  I am assert loser state:    .....
  Assert winner WC:           .....
  Assert lost WC:             .....
  Assert tracking WC:         .....00.0.....
  Could assert WC:           .....0.0.....
  I am DR:                    .....0.....
  Immediate olist RP:         .....
  Immediate olist WC:         .....0.0.....
  Inherited olist SG:         .....
  Inherited olist SG_RPT:     .....
  PIM include WC:             .....
224.0.1.20    10.4.0.2       10.4.0.1       SG_RPT
  Upstream interface (S):     dcl
  Upstream interface (RP):    dcl
  Upstream MRIB next hop (RP): 10.2.0.2
  Upstream RPF'(S,G,rpt):    10.2.0.2
  Upstream state:            NotPruned
  Override timer:            -1
  Local receiver include WC: .....
  Joins RP:                   .....
  Joins WC:                   .....0.0.....
  Prunes SG_RPT:              .....0.....
  Join state:                  .....
  Prune state:                 .....0.....
  Prune pending state:        .....
  Prune tmp state:            .....
  Prune pending tmp state:    .....
  Assert winner WC:           .....
  Assert lost WC:             .....
  Assert lost SG_RPT:         .....
  Could assert WC:           .....0.0.....
  Could assert SG:            .....

```

```

I am DR: .....O.....
Immediate olist RP: .....
Immediate olist WC: .....O.O.....
Inherited olist SG: .....
Inherited olist SG_RPT: .....O.....
PIM include WC: .....

```

- After TR1 transmits the (\*,G) Prune message to the RUT, the (\*,G) and (S,G,rpt) entries in the RUT should still be respectively in Joined state and NotPruned state:

```

Xorp> show pim join
Group          Source          RP              Flags
224.0.1.20    0.0.0.0         10.4.0.1       WC
  Upstream interface (RP):  dcl
  Upstream MRIB next hop (RP): 10.2.0.2
  Upstream RPF'(*,G):         10.2.0.2
  Upstream state:             Joined
  Join timer:                  34
  Local receiver include WC: .....
  Joins RP:                    .....
  Joins WC:                    .....O.....
  Join state:                  .....O.....
  Prune state:                 .....
  Prune pending state:        .....
  I am assert winner state:    .....
  I am assert loser state:     .....
  Assert winner WC:            .....
  Assert lost WC:              .....
  Assert tracking WC:          .....OO.....
  Could assert WC:             .....O.....
  I am DR:                     .....O.....
  Immediate olist RP:          .....
  Immediate olist WC:          .....O.....
  Inherited olist SG:          .....
  Inherited olist SG_RPT:      .....
  PIM include WC:              .....
224.0.1.20    10.4.0.2         10.4.0.1       SG_RPT
  Upstream interface (S):      dcl
  Upstream interface (RP):      dcl
  Upstream MRIB next hop (RP): 10.2.0.2
  Upstream RPF'(S,G,rpt):      10.2.0.2
  Upstream state:              NotPruned
  Override timer:              -1
  Local receiver include WC:    .....
  Joins RP:                    .....
  Joins WC:                    .....O.....
  Prunes SG_RPT:               .....O.....

```

```

Join state: .....
Prune state: .....O.....
Prune pending state: .....
Prune tmp state: .....
Prune pending tmp state: .....
Assert winner WC: .....
Assert lost WC: .....
Assert lost SG_RPT: .....
Could assert WC: .....O.....
Could assert SG: .....
I am DR: .....O.....
Immediate olist RP: .....
Immediate olist WC: .....O.....
Inherited olist SG: .....
Inherited olist SG_RPT: .....O.....
PIM include WC: .....

```

- After TR3 transmits the (\*,G) Prune message, the RUT itself should transmit an (\*,G) Prune message on LAN2 with the upstream neighbor address set to TR2, and the (\*,G) entry inside the RUT should be removed. The (S,G,rpt) upstream state should be RPTNotJoined(G) (or the (S,G,rpt) entry itself might be removed):

```

Xorp> show pim join
Group          Source          RP              Flags
224.0.1.20    10.4.0.2       10.4.0.1       SG_RPT
  Upstream interface (S):    dc1
  Upstream interface (RP):   dc1
  Upstream MRIB next hop (RP): 10.2.0.2
  Upstream RPF' (S,G,rpt):   10.2.0.2
  Upstream state:           RptNotJoined
  Override timer:           -1
  Local receiver include WC: .....
  Joins RP:                 .....
  Joins WC:                 .....
  Prunes SG_RPT:           .....O.....
  Join state:               .....
  Prune state:              .....O.....
  Prune pending state:     .....
  Prune tmp state:         .....
  Prune pending tmp state:  .....
  Assert winner WC:        .....
  Assert lost WC:          .....
  Assert lost SG_RPT:      .....
  Could assert WC:         .....
  Could assert SG:         .....
  I am DR:                  .....O.....
  Immediate olist RP:      .....

```

```

Immediate olist WC:      .....
Inherited olist SG:     .....
Inherited olist SG_RPT: .....
PIM include WC:        .....

```

- When the test is repeated with sending (\*,\*,RP) Join instead of (\*,G) Join, the results should be similar. Note that the (\*,\*,RP) Join message generated by the RUT might not include (S,G,rpt) Prune (see the list of possible problems at the end of this section).

*Part I:*

- After the (\*,G) Join message is transmitted, the (S,G,rpt) upstream state should be NotPruned.
- When the test is repeated with sending (\*,\*,RP) Join instead of (\*,G) Join, the results should be similar.

*Part J:*

- Until before TR3 transmits the (S,G,rpt) Prune message, the results should be same as in Part H. In other words, the RUT should have an (\*,G) entry and an (S,G,rpt) entry that are respectively in Joined state and NotPruned state.
- After TR3 transmits its first (S,G,rpt) Prune message, the Override Timer of the (S,G,rpt) entry in the RUT should be set to the short random value of `t_override` (rand(0, 2.5) sec).
- After the Override Timer of the (S,G,rpt) entry in the RUT expires, the RUT should transmit an (S,G,rpt) Join on LAN2 with the upstream neighbor address set to TR2.
- After TR3 transmits its second (S,G,rpt) Prune message on LAN2 immediately followed by an (S,G,rpt) Join, the Override Timer of the (S,G,rpt) entry in the RUT that was set to `t_override` (rand(0, 2.5) sec) by the (S,G,rpt) Prune message should be canceled by the (S,G,rpt) Join message. As a result, the RUT should not transmit (S,G,rpt) Join message within the short random interval of `t_override` (rand(0, 2.5) sec).
- After TR3 transmits the (S,G) Prune message, the Override Timer of the (S,G,rpt) entry in the RUT should be set to the short random value of `t_override` (rand(0, 2.5) sec).
- After the Override Timer of the (S,G,rpt) entry in the RUT expires, the RUT should transmit an (S,G,rpt) Join on LAN2 with the upstream neighbor address set to TR2.
- After the RPF'(S,G,rpt) at the RUT is changed to TR3 and then back to TR2, the Override Timer of the (S,G,rpt) entry in the RUT should be set to the short random value of `t_override` (rand(0, 2.5) sec).
- After the Override Timer of the (S,G,rpt) entry in the RUT expires, the RUT should transmit an (S,G,rpt) Join on LAN2 with the upstream neighbor address set to TR2.
- During the whole test, the (S,G,rpt) upstream state should always be in NotPruned state, except that while the RPF'(S,G,rpt) has changed to TR3, the upstream state should be in Pruned state.

- When the test is repeated with sending (\*,\*,RP) Join instead of (\*,G) Join, the results should be similar. Note that the (\*,\*,RP) Join message generated by the RUT might not include (S,G,rpt) Prune (see the list of possible problems at the end of this section).

**Possible Problems:** The current protocol specification (draft-ietf-pim-sm-v2-new-05.txt,ps) is incomplete in specifying whether (\*,\*,RP) Join messages should include (S,G,rpt) Prune messages, therefore the (\*,\*,RP) Join messages generated by the RUT may not contain (S,G,rpt) Prune. In Part J, if the first Assert generated by TR3 is not preferred when compared to the assert metric of TR2, the RPF'(S,G,rpt) in the RUT will not be changed. In Part J, after the RPF'(S,G,rpt) in the RUT is changed back to TR2, the RUT may transmit two identical (S,G,rpt) Join messages on LAN2 with the upstream neighbor address set to TR2 within the very short random interval  $\tau_{\text{override}}$  (rand(0, 2.5) sec). The first one might be transmitted immediately after the RPF'(S,G,rpt) in the RUT is changed back to TR2 (the first (S,G,rpt) Join is triggered by the transition when PruneDesired(S,G,rpt) becomes false, while the second (S,G,rpt) Join is triggered when the Override Timer expires).



## Test Group 5

# PIM Assert Messages

**Scope:** Test sending and receiving of PIM Assert messages.

**Overview:** Whenever on a shared LAN there is more than one upstream router that has valid forwarding state for a packet, this may lead to packet duplication. PIM does not attempt to prevent this from occurring. Instead, it detects when this has happened, and uses PIM Assert messages to elect a single forwarder amongst the upstream routers. Assert messages are also received by downstream routers on the LAN; as a result, subsequent Join/Prune messages are sent to the upstream router that is the Assert winner.

The granularity of the PIM Assert messages is per (S,G) or per (\*,G). In other words, the Assert winners are elected per (S,G) or per (\*,G).

## 5.1 (S,G) Assert Message State Machine

**Purpose:** Verify that the (S,G) Assert state machine operates properly.

**References:**

- draft-ietf-pim-sm-v2-new-05 – Section 4.6.1

**Discussion:** When a PIM-SM router receives a PIM Assert message, the per-interface (S,G) state machine should be updated appropriately. Typically, if an Assert message is received on an outgoing interface for the corresponding (S,G) routing state, the router may either send Assert message on the same interface if it considers itself as the Assert winner; if the router considers itself as the Assert loser, it would remove that interface from the set of outgoing interfaces. Similarly, if data packet is received on an outgoing interface for corresponding (S,G) routing state, the router will originate Assert message on that interface. Eventually, this Assert message will be received by the other upstream router that has forwarded that data packet on that LAN, and will trigger the Assert mechanism to elect the (S,G) upstream forwarder for that LAN.

**Test Setup:** Connect the RUT, TR1, TR2, TR3, TR4, and S1 according to Figure 5.1. Configure the IP address of the interface that connects TR4 to LAN6 as the RP. Configure the RUT such that the next-hop router toward the RP is TR2. Configure TR3 such that the next-hop router toward S1 is TR4. Configure the RUT such that MRIB.pref(S) = 100, and MRIB.metric(S) = 100.

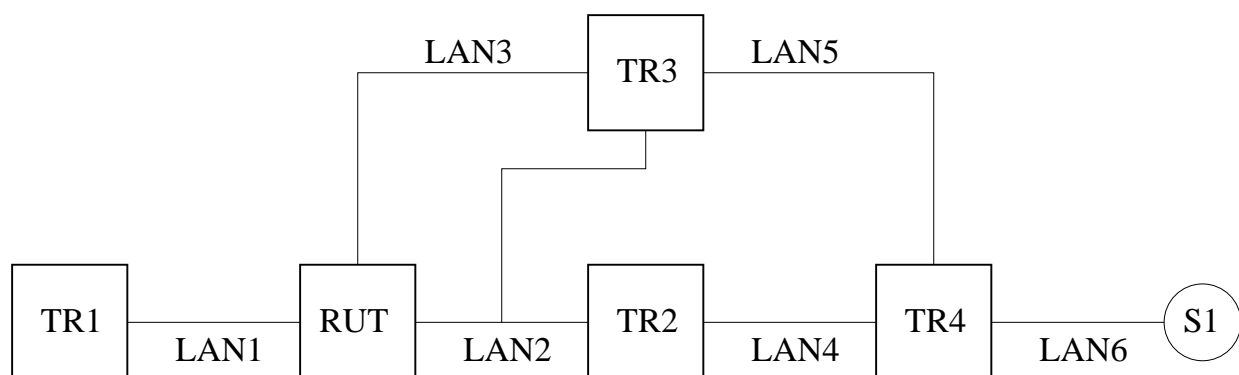


Figure 5.1: (S,G) Assert message state machine test setup

**Procedure:**

*Part A: Receive Inferior Assert with RPTbit clear and CouldAssert(S,G,I) in NoInfo state.*

1. Start the RUT, TR1, TR2, and TR4. If necessary, wait until the RP-set in the RUT, TR1, TR2 and TR4 converges.
2. Compose an (S,G) Join message at TR1 with the S address set to the address of S1, and send it to the RUT. The  $J/P\_HoldTime$  of the message should be set to its default value (210).
3. Start S1.
4. Start observing the Assert messages transmitted by the RUT on LAN3, and the (S,G) Assert state in the RUT.

5. Compose an Assert message at TR3 with the S address set to the address of S1, the RPT-bit set to zero, metric and metric preference set to 1000, and send it on LAN3.
6. Start observing the Assert messages transmitted by the RUT on LAN1, the (S,G) Assert state in the RUT, and the data packets forwarded on LAN1.
7. Compose an Assert message at TR1 with the S address set to the address of S1, the RPT-bit set to zero, metric and metric preference set to 1000, and send it on LAN1.
8. Continue observing the Assert messages transmitted by the RUT on LAN1, the (S,G) Assert state in the RUT, and the data packets forwarded on LAN1.

*Part B: Receive Assert with RPTbit set and CouldAssert(S,G,I) in NoInfo state.*

The setup is same as in Part A, except that the Assert messages that TR3 and TR1 transmit on LAN3 and LAN1 respectively should have the RPT-bit set to one.

*Part C: Data arrives from S to G on I and CouldAssert(S,G,I) in NoInfo state.*

1. Start the RUT, TR1, TR2, and TR4. If necessary, wait until the RP-set in the RUT, TR1, TR2 and TR4 converges.
2. Compose an (S,G) Join message at TR1 with the S address set to the address of S1, and send it to the RUT. The  $J/P\_HoldTime$  of the message should be set to its default value (210).
3. Start S1.
4. Start observing the Assert messages transmitted by the RUT on LAN1, the (S,G) Assert state in the RUT, and the data packets forwarded on LAN1.
5. Compose a data packet at TR3 with the S address set to the address of S1, and send it on LAN3.
6. Continue observing the Assert messages transmitted by the RUT on LAN1, the (S,G) Assert state in the RUT, and the data packets forwarded on LAN1.
7. Compose a data packet at TR1 with the S address set to the address of S1, and send it on LAN1.
8. Continue observing the Assert messages transmitted by the RUT on LAN1, the (S,G) Assert state in the RUT, and the data packets forwarded on LAN1.

*Part D: Receive Preferred Assert with RPTbit clear and AssertTrackingDesired(S,G,I) in NoInfo state.*

1. Start the RUT, TR1, TR2, and TR4. If necessary, wait until the RP-set in the RUT, TR1, TR2 and TR4 converges.
2. Compose an (S,G) Join message at TR1 with the S address set to the address of S1, and send it to the RUT. The  $J/P\_HoldTime$  of the message should be set to its default value (210).
3. Start observing the (S,G) Assert state in the RUT.
4. Compose an Assert message at TR3 with the S address set to the address of S1, the RPT-bit set to zero, metric and metric preference set to 10, and send it on LAN3.
5. Continue observing the (S,G) Assert state in the RUT.

6. Compose an Assert message at TR1 with the S address set to the address of S1, the RPT-bit set to zero, metric and metric preference set to 10, and send it on LAN1.
7. Continue observing the (S,G) Assert state in the RUT.
8. Compose an Assert message at TR3 with the S address set to the address of S1, the RPT-bit set to zero, metric and metric preference set to 10, and send it on LAN2.
9. Continue observing the (S,G) Assert state in the RUT.
10. Compose an (S,G) Join message at TR3 with the S address set to the address of S1, and send it to the RUT on LAN3. The `J/P_HoldTime` of the message should be set to its default value (210).
11. Compose an Assert message at TR3 with the S address set to the address of S1, the RPT-bit set to zero, metric and metric preference set to 10, and send it on LAN2.
12. Continue observing the (S,G) Assert state in the RUT.

*Part E: Timer expires in I Am Assert Winner state.*

1. Start the RUT, TR1, TR2, and TR4. If necessary, wait until the RP-set in the RUT, TR1, TR2 and TR4 converges.
2. Compose an (S,G) Join message at TR1 with the S address set to the address of S1, and send it to the RUT. The `J/P_HoldTime` of the message should be set to its default value (210).
3. Start S1.
4. Start observing the Assert messages transmitted by the RUT on LAN1, the (S,G) Assert state in the RUT, and the data packets forwarded on LAN1.
5. Compose an Assert message at TR1 with the S address set to the address of S1, the RPT-bit set to zero, metric and metric preference set to 1000, and send it on LAN1.
6. Continue observing the Assert messages transmitted by the RUT on LAN1, the (S,G) Assert state in the RUT, and the data packets forwarded on LAN1 for at least  $(\text{Assert\_Time} - \text{Assert\_Override\_Interval})$  (180 sec - 3 sec). In the mean time, every `t_periodic` (60 sec) compose same (S,G) Join message at TR1, and send it to the RUT.

*Part F: Receive inferior Assert in I Am Assert Winner state.*

The setup is same as in Part A, except that TR3 does not need to transmit an Assert message, and that TR1 transmits another Assert message on LAN1 few seconds after its first Assert message.

*Part G: Receive Preferred Assert in I Am Assert Winner State.*

1. Start the RUT, TR1, TR2, and TR4. If necessary, wait until the RP-set in the RUT, TR1, TR2 and TR4 converges.
2. Compose an (S,G) Join message at TR1 with the S address set to the address of S1, and send it to the RUT. The `J/P_HoldTime` of the message should be set to its default value (210).
3. Start S1.

4. Start observing the Assert messages transmitted by the RUT on LAN1, the (S,G) Assert state in the RUT, and the data packets forwarded on LAN1.
5. Compose an Assert message at TR1 with the S address set to the address of S1, the RPT-bit set to zero, metric and metric preference set to 1000, and send it on LAN1.
6. Continue observing the Assert messages transmitted by the RUT on LAN1, the (S,G) Assert state in the RUT, and the data packets forwarded on LAN1.
7. Compose an Assert message at TR1 with the S address set to the address of S1, the RPT-bit set to zero, metric and metric preference set to 10, and send it on LAN1.
8. Continue observing the Assert messages transmitted by the RUT on LAN1, the (S,G) Assert state in the RUT, and the data packets forwarded on LAN1.

*Part H: CouldAssert(S,G,I)  $\implies$  FALSE transaction in I Am Assert Winner state.*

1. Start the RUT, TR1, TR2, and TR4. If necessary, wait until the RP-set in the RUT, TR1, TR2 and TR4 converges.
2. Compose an (S,G) Join message at TR1 with the S address set to the address of S1, and send it to the RUT. The  $J/P\_HoldTime$  of the message should be set to its default value (210).
3. Compose an (S,G) Join message at TR3 with the S address set to the address of S1, and send it to the RUT on LAN3. The  $J/P\_HoldTime$  of the message should be set to its default value (210).
4. Start S1.
5. Start observing the Assert messages transmitted by the RUT on LAN1, the (S,G) Assert state in the RUT, and the data packets forwarded on LAN1.
6. Compose an Assert message at TR1 with the S address set to the address of S1, the RPT-bit set to zero, metric and metric preference set to 1000, and send it on LAN1.
7. Continue observing the Assert messages transmitted by the RUT on LAN1, the (S,G) Assert state in the RUT, and the data packets forwarded on LAN1.
8. Compose an (S,G) Prune message at TR1 with the S address set to the address of S1, and send it to the RUT. The  $J/P\_HoldTime$  of the message should be set to its default value (210).
9. Continue observing the Assert messages transmitted by the RUT on LAN1, the (S,G) Assert state in the RUT, and the data packets forwarded on LAN1.

*Part I: Receive Preferred Assert in I Am Assert Loser State.*

1. Start the RUT, TR1, TR2, and TR4. If necessary, wait until the RP-set in the RUT, TR1, TR2 and TR4 converges.
2. Compose an (S,G) Join message at TR1 with the S address set to the address of S1, and send it to the RUT. The  $J/P\_HoldTime$  of the message should be set to its default value (210).
3. Start S1.

4. Start observing the Assert messages transmitted by the RUT on LAN1, the (S,G) Assert state in the RUT, and the data packets forwarded on LAN1.
5. Compose an Assert message at TR1 with the S address set to the address of S1, the RPT-bit set to zero, metric and metric preference set to 10, and send it on LAN1.
6. Continue observing the Assert messages transmitted by the RUT on LAN1, the (S,G) Assert state in the RUT, and the data packets forwarded on LAN1.
7. Compose an Assert message at TR1 with the S address set to the address of S1, the RPT-bit set to zero, metric and metric preference set to 1, and send it on LAN1.
8. Continue observing the Assert messages transmitted by the RUT on LAN1, the (S,G) Assert state in the RUT, and the data packets forwarded on LAN1.

*Part J: Receive Acceptable Assert from Current Winner in I Am Assert Loser State.*

The setup is same as in Part I, except that the second Assert message that TR1 transmits on LAN1 should have metric and metric preference set to 50.

*Part K: Receive Inferior Assert from Current Winner in I Am Assert Loser State.*

The setup is same as in Part I, except that the second Assert message that TR1 transmits on LAN1 should have metric and metric preference set to 1000.

*Part L: Timer expires in I Am Assert Loser State.*

1. Start the RUT, TR1, TR2, and TR4. If necessary, wait until the RP-set in the RUT, TR1, TR2 and TR4 converges.
2. Compose an (S,G) Join message at TR1 with the S address set to the address of S1, and send it to the RUT. The `J/P_HoldTime` of the message should be set to its default value (210).
3. Start S1.
4. Start observing the Assert messages transmitted by the RUT on LAN1, the (S,G) Assert state in the RUT, and the data packets forwarded on LAN1.
5. Compose an Assert message at TR1 with the S address set to the address of S1, the RPT-bit set to zero, metric and metric preference set to 10, and send it on LAN1.
6. Continue observing the Assert messages transmitted by the RUT on LAN1, the (S,G) Assert state in the RUT, and the data packets forwarded on LAN1 for at least (`Assert_Time`) (180 sec).

*Part M: Current winner's GenID changes in I Am Assert Loser State.*

1. Start the RUT, TR1, TR2, and TR4. If necessary, wait until the RP-set in the RUT, TR1, TR2 and TR4 converges.
2. Compose an (S,G) Join message at TR1 with the S address set to the address of S1, and send it to the RUT. The `J/P_HoldTime` of the message should be set to its default value (210).
3. Start S1.

4. Start observing the Assert messages transmitted by the RUT on LAN1, the (S,G) Assert state in the RUT, and the data packets forwarded on LAN1.
5. Compose an Assert message at TR1 with the S address set to the address of S1, the RPT-bit set to zero, metric and metric preference set to 10, and send it on LAN1.
6. Continue observing the Assert messages transmitted by the RUT on LAN1, the (S,G) Assert state in the RUT, and the data packets forwarded on LAN1.
7. Quit TR1 (*i.e.*, stop it without graceful shutdown), and start it immediately.
8. Continue observing the Assert messages transmitted by the RUT on LAN1, the (S,G) Assert state in the RUT, and the data packets forwarded on LAN1.

*Part N: AssertTrackingDesired(S,G,I)  $\implies$  FALSE transaction in I Am Assert Loser State.*

1. Start the RUT, TR1, TR2, and TR4. If necessary, wait until the RP-set in the RUT, TR1, TR2 and TR4 converges.
2. Compose an (S,G) Join message at TR1 with the S address set to the address of S1, and send it to the RUT. The `J/P_HoldTime` of the message should be set to its default value (210).
3. Start S1.
4. Start observing the Assert messages transmitted by the RUT on LAN1 and LAN2, the (S,G) Assert state in the RUT, and the data packets forwarded on LAN1.
5. Compose an Assert message at TR3 with the S address set to the address of S1, the RPT-bit set to zero, metric and metric preference set to 10, and send it on LAN2.
6. Continue observing the Assert messages transmitted by the RUT on LAN1 and LAN2, the (S,G) Assert state in the RUT, and the data packets forwarded on LAN1.
7. Compose an Assert message at TR1 with the S address set to the address of S1, the RPT-bit set to zero, metric and metric preference set to 10, and send it on LAN1.
8. Continue observing the Assert messages transmitted by the RUT on LAN1 and LAN2, the (S,G) Assert state in the RUT, and the data packets forwarded on LAN1.
9. Compose an (S,G) Join message at TR3 with the S address set to the address of S1, and send it to the RUT on LAN2. The `J/P_HoldTime` of the message should be set to its default value (210).
10. Compose an (S,G) Prune message at TR1 with the S address set to the address of S1, and send it to the RUT. The `J/P_HoldTime` of the message should be set to its default value (210).
11. Continue observing the Assert messages transmitted by the RUT on LAN1 and LAN2, the (S,G) Assert state in the RUT, and the data packets forwarded on LAN1.

*Part O: my\_assert\_metric  $\implies$  better than winner's metric in I Am Assert Loser State.*

1. Start the RUT, TR1, TR2, and TR4. If necessary, wait until the RP-set in the RUT, TR1, TR2 and TR4 converges.

2. Compose an (S,G) Join message at TR1 with the S address set to the address of S1, and send it to the RUT. The  $J/P\_HoldTime$  of the message should be set to its default value (210).
3. Compose an (S,G) Join message at TR3 with the S address set to the address of S1, and send it to the RUT on LAN3. The  $J/P\_HoldTime$  of the message should be set to its default value (210).
4. Start S1.
5. Start observing the Assert messages transmitted by the RUT on LAN1, the (S,G) Assert state in the RUT, and the data packets forwarded on LAN1.
6. Compose an Assert message at TR1 with the S address set to the address of S1, the RPT-bit set to zero, metric and metric preference set to 10, and send it on LAN1.
7. Continue observing the Assert messages transmitted by the RUT on LAN1, the (S,G) Assert state in the RUT, and the data packets forwarded on LAN1.
8. Reconfigure the MRIB in the RUT, such that  $MRIB.pref(S) = 1$ , and  $MRIB.metric(S) = 1$ .
9. Continue observing the Assert messages transmitted by the RUT on LAN1, the (S,G) Assert state in the RUT, and the data packets forwarded on LAN1.
10. Repeat the test with  $MRIB.pref(S) = 50$ , and  $MRIB.metric(S) = 50$ .

*Part P: RPF\_interface(S) stops being I in I Am Assert Loser State.*

1. Start the RUT, TR1, TR2, and TR4. If necessary, wait until the RP-set in the RUT, TR1, TR2 and TR4 converges.
2. Compose an (S,G) Join message at TR1 with the S address set to the address of S1, and send it to the RUT. The  $J/P\_HoldTime$  of the message should be set to its default value (210).
3. Start S1.
4. Start observing the Assert messages transmitted by the RUT on LAN2 and LAN3, the (S,G) Assert state in the RUT, and the data packets forwarded on LAN1.
5. Compose an Assert message at TR3 with the S address set to the address of S1, the RPT-bit set to zero, metric and metric preference set to 10, and send it on LAN2.
6. Continue observing the Assert messages transmitted by the RUT on LAN2 and LAN3, the (S,G) Assert state in the RUT, and the data packets forwarded on LAN1.
7. Reconfigure the RPF information in the RUT, such that  $RPF\_interface(S)$  is the interface that connects the RUT to LAN3.
8. Continue observing the Assert messages transmitted by the RUT on LAN2 and LAN3, the (S,G) Assert state in the RUT, and the data packets forwarded on LAN1.

*Part Q: Receive Join(S,G) on interface I in I Am Assert Loser State.*

1. Start the RUT, TR1, TR2, and TR4. If necessary, wait until the RP-set in the RUT, TR1, TR2 and TR4 converges.



2. Compose an (S,G) Join message at TR1 with the S address set to the address of S1, and send it to the RUT. The J/P\_HoldTime of the message should be set to its default value (210).
3. Start S1.
4. Start observing the Assert messages transmitted by the RUT on LAN1, the (S,G) Assert state in the RUT, and the data packets forwarded on LAN1.
5. Compose an Assert message at TR1 with the S address set to the address of S1, the RPT-bit set to zero, metric and metric preference set to 10, and send it on LAN1.
6. Continue observing the Assert messages transmitted by the RUT on LAN1, the (S,G) Assert state in the RUT, and the data packets forwarded on LAN1.
7. Compose an (S,G) Join message at TR1 with the S address set to the address of S1, and send it to the RUT. The J/P\_HoldTime of the message should be set to its default value (210).
8. Continue observing the Assert messages transmitted by the RUT on LAN1, the (S,G) Assert state in the RUT, and the data packets forwarded on LAN1.

## Observable Results:

### Part A:

- After TR1 sends the (S,G) Join message to the RUT, the interface that connects the RUT to LAN1 should be added to the set of joined interfaces for the corresponding (S,G) routing state; the incoming interface for that state should be the interface that connects the RUT to LAN2.
- After S1 is started, the data packets should be forwarded on LAN1, and the SPT bit for the (S,G) routing state should be set:

```
Xorp> show pim join
Group          Source          RP              Flags
224.0.1.20    10.4.0.2        10.4.0.1        SG SPT
  Upstream interface (S):  dc1
  Upstream interface (RP): dc1
  Upstream MRIB next hop (RP): 10.2.0.2
  Upstream MRIB next hop (S): 10.2.0.2
  Upstream RPF'(S,G):      10.2.0.2
  Upstream state:          Joined
  Join timer:              46
  Local receiver include WC: .....
  Local receiver include SG: .....
  Local receiver exclude SG: .....
  Joins RP:                .....
  Joins WC:                 .....
  Joins SG:                 .....O.....
  Join state:               .....O.....
  Prune state:              .....
  Prune pending state:     .....
```

```

I am assert winner state: .....
I am assert loser state: .....
Assert winner WC: .....
Assert winner SG: .....
Assert lost WC: .....
Assert lost SG: .....
Assert lost SG_RPT: .....
Assert tracking SG: .....O..O.....
Could assert WC: .....
Could assert SG: .....O.....
I am DR: .....O.....
Immediate olist RP: .....
Immediate olist WC: .....
Immediate olist SG: .....O.....
Inherited olist SG: .....O.....
Inherited olist SG_RPT: .....
PIM include WC: .....
PIM include SG: .....
PIM exclude SG: .....

```

- After TR3 transmits the Assert message on LAN3, the (S,G) Assert state machine for the interface that connects the RUT to LAN3 should continue to be in NoInfo state.
- After TR1 transmits the Assert message on LAN1, the RUT itself should transmit an (S,G) Assert message on LAN1 with the RPT bit set to zero, and the metric and metric preference set to 100. The (S,G) Assert state machine for the interface that connects the RUT to LAN1 should be in I Am Assert Winner state:

```

Xorp> show pim join
Group          Source          RP              Flags
224.0.1.20    10.4.0.2        10.4.0.1        SG SPT
  Upstream interface (S):    dc1
  Upstream interface (RP):   dc1
  Upstream MRIB next hop (RP): 10.2.0.2
  Upstream MRIB next hop (S): 10.2.0.2
  Upstream RPF'(S,G):        10.2.0.2
  Upstream state:            Joined
  Join timer:                 17
  Local receiver include WC: .....
  Local receiver include SG: .....
  Local receiver exclude SG: .....
  Joins RP:                   .....
  Joins WC:                   .....
  Joins SG:                   .....O.....
  Join state:                 .....O.....
  Prune state:                .....
  Prune pending state:       .....

```

```

I am assert winner state: .....O.....
I am assert loser state: .....
Assert winner WC: .....
Assert winner SG: .....O.....
Assert lost WC: .....
Assert lost SG: .....
Assert lost SG_RPT: .....
Assert tracking SG: .....O..O.....
Could assert WC: .....
Could assert SG: .....O.....
I am DR: .....O.....
Immediate olist RP: .....
Immediate olist WC: .....
Immediate olist SG: .....O.....
Inherited olist SG: .....O.....
Inherited olist SG_RPT: .....
PIM include WC: .....
PIM include SG: .....
PIM exclude SG: .....

```

In addition, the RUT should store self as AssertWinner(S,G,I), it should store spt\_assert\_metric(S,I) as AssertWinnerMetric(S,G,I), and the assert timer should be set to (Assert\_Time - Assert\_Override\_Interval)(180 sec - 3 sec). After that, the RUT should continue to forward the data packets from S1 on LAN1.

*Part B:*

The results should be same as in Part A.

*Part C:*

The results should be same as in Part A, except that the Assert message transmitted by the RUT is triggered by the data packet.

*Part D:*

- After TR1 sends the (S,G) Join message to the RUT, the interface that connects the RUT to LAN1 should be added to the set of joined interfaces for the corresponding (S,G) routing state; the incoming interface for that state should be the interface that connects the RUT to LAN2.
- After TR3 transmits the Assert message on LAN3, the (S,G) Assert state machine for the interface that connects the RUT to LAN3 should continue to be in NoInfo state.
- After TR1 transmits the Assert message on LAN1, the (S,G) Assert state machine for the interface that connects the RUT to LAN1 should be in I Am Assert Loser state:

```

Xorp> show pim join
Group          Source          RP              Flags
224.0.1.20    10.4.0.2       10.4.0.1       SG
  Upstream interface (S):  dc1
  Upstream interface (RP): dc1

```

```

Upstream MRIB next hop (RP): 10.2.0.2
Upstream MRIB next hop (S): 10.2.0.2
Upstream RPF'(S,G):         10.2.0.2
Upstream state:              NotJoined
Join timer:                   -1
Local receiver include WC:    .....
Local receiver include SG:    .....
Local receiver exclude SG:   .....
Joins RP:                     .....
Joins WC:                     .....
Joins SG:                     .....O.....
Join state:                   .....O.....
Prune state:                  .....
Prune pending state:         .....
I am assert winner state:    .....
I am assert loser state:     .....O.....
Assert winner WC:            .....
Assert winner SG:            .....
Assert lost WC:              .....
Assert lost SG:              .....O.....
Assert lost SG_RPT:         .....
Assert tracking SG:          .....O.....
Could assert WC:             .....
Could assert SG:             .....
I am DR:                     .....O.....
Immediate olist RP:          .....
Immediate olist WC:          .....
Immediate olist SG:          .....
Inherited olist SG:          .....
Inherited olist SG_RPT:     .....
PIM include WC:              .....
PIM include SG:              .....
PIM exclude SG:              .....

```

In addition, the RUT should store TR1 as AssertWinner(S,G,I) for the interface that connects the RUT to LAN1, it should store the assert metric of TR1 as AssertWinnerMetric(S,G,I), and the assert timer should be set to (Assert\_Time) (180 sec).

- After TR3 transmits the first Assert message on LAN2, the (S,G) Assert state machine for the interface that connects the RUT to LAN2 should continue to be in NoInfo state.
- After TR3 transmits the second Assert message on LAN2, the (S,G) Assert state machine for the interface that connects the RUT to LAN2 should be in I Am Assert Loser state. In addition, the SPT bit for that (S,G) entry should be set, and the RPF'(S,G) should be set to the interface that connects TR3 to LAN2:

```

Xorp> show pim join
Group           Source           RP           Flags

```

```

224.0.1.20      10.4.0.2      10.4.0.1      SG SPT
Upstream interface (S):    dc1
Upstream interface (RP):  dc1
Upstream MRIB next hop (RP): 10.2.0.2
Upstream MRIB next hop (S): 10.2.0.2
Upstream RPF'(S,G):      10.2.0.4
Upstream state:          Joined
Join timer:              48
Local receiver include WC: .....
Local receiver include SG: .....
Local receiver exclude SG: .....
Joins RP:                .....
Joins WC:                 .....
Joins SG:                 .....O.O.....
Join state:               .....O.O.....
Prune state:              .....
Prune pending state:     .....
I am assert winner state: .....
I am assert loser state: .....O.O.....
Assert winner WC:        .....
Assert winner SG:        .....
Assert lost WC:          .....
Assert lost SG:          .....O.....
Assert lost SG_RPT:     .....
Assert tracking SG:      .....OO.O.....
Could assert WC:         .....
Could assert SG:         .....O.O.....
I am DR:                 .....O.....
Immediate olist RP:      .....
Immediate olist WC:      .....
Immediate olist SG:      .....O.....
Inherited olist SG:     .....O.....
Inherited olist SG_RPT: .....
PIM include WC:         .....
PIM include SG:         .....
PIM exclude SG:        .....

```

In addition, the RUT should store TR3 as AssertWinner(S,G,I) for the interface that connects the RUT to LAN2, it should store the assert metric of TR3 as AssertWinnerMetric(S,G,I), and the assert timer should be set to (Assert\_Time) (180 sec).

*Part E:*

- Until after the RUT receives the Assert message from TR1, the results should be same as in Part A. After that, once every (Assert\_Time - Assert\_Override\_Interval) (180 sec - 3 sec). the RUT should transmit an Assert message on LAN1 with the RPT bit set to zero, the metric and metric preference set to 100.

The (S,G) Assert state machine for the interface that connects the RUT to LAN1 should continue to be in I Am Assert Winner state.

*Part F:*

- Until after the RUT receives the first Assert message from TR1, the results should be same as in Part A.
- After the RUT receives the second Assert message from TR1, the RUT the RUT should transmit an Assert message on LAN1 with the RPT bit set to zero, the metric and metric preference set to 100. The (S,G) Assert state machine for the interface that connects the RUT to LAN1 should continue to be in I Am Assert Winner state. In addition, the assert timer should be set to (Assert\_Time - Assert\_Override\_Interval)(180 sec - 3 sec).

*Part G:*

- Until after the RUT receives the first Assert message from TR1, the results should be same as in Part A.
- After the RUT receives the second Assert message from TR1, the (S,G) Assert state machine for the interface that connects the RUT to LAN1 should be in I Am Assert Loser state:

```
Xorp> show pim join
Group          Source          RP              Flags
224.0.1.20    10.4.0.2       10.4.0.1       SG
  Upstream interface (S):    dc1
  Upstream interface (RP):   dc1
  Upstream MRIB next hop (RP): 10.2.0.2
  Upstream MRIB next hop (S): 10.2.0.2
  Upstream RPF'(S,G):        10.2.0.2
  Upstream state:             NotJoined
  Join timer:                  -1
  Local receiver include WC: .....
  Local receiver include SG: .....
  Local receiver exclude SG: .....
  Joins RP:                    .....
  Joins WC:                     .....
  Joins SG:                     .....O.....
  Join state:                   .....O.....
  Prune state:                  .....
  Prune pending state:         .....
  I am assert winner state:    .....
  I am assert loser state:    .....O.....
  Assert winner WC:           .....
  Assert winner SG:           .....
  Assert lost WC:              .....
  Assert lost SG:              .....O.....
  Assert lost SG_RPT:         .....

```

```

Assert tracking SG:          .....O.....
Could assert WC:           .....
Could assert SG:           .....
I am DR:                   .....O.....
Immediate olist RP:        .....
Immediate olist WC:        .....
Immediate olist SG:        .....
Inherited olist SG:        .....
Inherited olist SG_RPT:    .....
PIM include WC:            .....
PIM include SG:            .....
PIM exclude SG:           .....

```

In addition, the RUT should store TR1 as AssertWinner(S,G,I) for the interface that connects the RUT to LAN1, it should store the assert metric of TR1 as AssertWinnerMetric(S,G,I), and the assert timer should be set to (Assert\_Time)(180 sec). Further, it should stop forwarding the data packets from S1 on LAN1.

*Part H:*

- Until after the RUT receives the Assert message from TR1, the results should be similar as in Part A, except that the interface that connects the RUT to LAN3 should also be added to the set of (S,G) Joined interfaces, and to the set of outgoing interfaces:

```

Xorp> show pim join
Group          Source          RP          Flags
224.0.1.20    10.4.0.2        10.4.0.1    SG SPT
  Upstream interface (S):    dc1
  Upstream interface (RP):   dc1
  Upstream MRIB next hop (RP): 10.2.0.2
  Upstream MRIB next hop (S): 10.2.0.2
  Upstream RPF'(S,G):        10.2.0.2
  Upstream state:            Joined
  Join timer:                 21
  Local receiver include WC: .....
  Local receiver include SG: .....
  Local receiver exclude SG: .....
  Joins RP:                   .....
  Joins WC:                   .....
  Joins SG:                   .....O.O.....
  Join state:                 .....O.O.....
  Prune state:                .....
  Prune pending state:        .....
  I am assert winner state:   .....O.....
  I am assert loser state:    .....
  Assert winner WC:           .....
  Assert winner SG:           .....O.....

```

```

Assert lost WC: .....
Assert lost SG: .....
Assert lost SG_RPT: .....
Assert tracking SG: .....00.0.....
Could assert WC: .....
Could assert SG: .....0.0.....
I am DR: .....0.....
Immediate olist RP: .....
Immediate olist WC: .....
Immediate olist SG: .....0.0.....
Inherited olist SG: .....0.0.....
Inherited olist SG_RPT: .....
PIM include WC: .....
PIM include SG: .....
PIM exclude SG: .....

```

- After TR1 transmits the (S,G) Prune message to the RUT, the (S,G) Assert state machine for the interface that connects the RUT to LAN1 should be in NoInfo state:

```

Xorp> show pim join
Group          Source          RP              Flags
224.0.1.20    10.4.0.2       10.4.0.1       SG SPT
  Upstream interface (S):    dcl
  Upstream interface (RP):   dcl
  Upstream MRIB next hop (RP): 10.2.0.2
  Upstream MRIB next hop (S): 10.2.0.2
  Upstream RPF'(S,G):       10.2.0.2
  Upstream state:           Joined
  Join timer:                44
  Local receiver include WC: .....
  Local receiver include SG: .....
  Local receiver exclude SG: .....
  Joins RP:                  .....
  Joins WC:                  .....
  Joins SG:                  .....0.....
  Join state:                 .....0.....
  Prune state:                .....
  Prune pending state:       .....
  I am assert winner state:   .....
  I am assert loser state:   .....
  Assert winner WC:          .....
  Assert winner SG:          .....
  Assert lost WC:            .....
  Assert lost SG:            .....
  Assert lost SG_RPT:        .....
  Assert tracking SG:        .....00.....
  Could assert WC:           .....

```



```

Could assert SG:          .....O.....
I am DR:                  .....O.....
Immediate olist RP:      .....
Immediate olist WC:      .....
Immediate olist SG:      .....O.....
Inherited olist SG:      .....O.....
Inherited olist SG_RPT:  .....
PIM include WC:          .....
PIM include SG:          .....
PIM exclude SG:         .....

```

The RUT should send AssertCancel(S,G) on LAN1 (*i.e.*, an (S,G) Assert message with the RPT bit set to one, the metric set to 0xffffffff, and the metric preference set to 0x7fffffff). Further, the RUT should delete the AssertWinner(S,G,I) and AssertWinnerMetric(S,G,I) information for the interface that connects it to LAN1. In addition, the RUT should stop forwarding the data packets from S1 on LAN1.

*Part I:*

- After TR1 sends the (S,G) Join message to the RUT, the interface that connects the RUT to LAN1 should be added to the set of joined interfaces for the corresponding (S,G) routing state; the incoming interface for that state should be the interface that connects the RUT to LAN2.
- After S1 is started, the data packets should be forwarded on LAN1, and the SPT bit for the (S,G) routing state should be set.
- After the RUT receives the first Assert message from TR1, the (S,G) Assert state machine for the interface that connects the RUT to LAN1 should be in I Am Assert Loser state.

In addition, the RUT should store TR1 as AssertWinner(S,G,I) for the interface that connects the RUT to LAN1, it should store the assert metric of TR1 as AssertWinnerMetric(S,G,I), and the assert timer should be set to (Assert\_Time)(180 sec). Further, it should stop forwarding the data packets from S1 on LAN1.

- After the RUT receives the second Assert message from TR1, the (S,G) Assert state machine for the interface that connects the RUT to LAN1 should continue to be in I Am Assert Loser state.

In addition, the RUT should store TR1 as AssertWinner(S,G,I) for the interface that connects the RUT to LAN1, it should store the new assert metric of TR1 as AssertWinnerMetric(S,G,I), and the assert timer should be set to (Assert\_Time)(180 sec).

*Part J:*

The results should be same as in Part I.

*Part K:*

- Until after the RUT receives the first Assert message from TR1, the results should be same as in Part I.

- After the RUT receives the second Assert message from TR1, the (S,G) Assert state machine for the interface that connects the RUT to LAN1 should be in NoInfo state. Further, the RUT should delete the AssertWinner(S,G,I) and AssertWinnerMetric(S,G,I) information for the interface that connects it to LAN1. In addition, the RUT should start forwarding the data packets from S1 on LAN1.

*Part L:*

- Until after the RUT receives the first Assert message from TR1, the results should be same as in Part I.
- The (S,G) Assert state machine for the interface that connects the RUT to LAN1 should continue to be in I Am Assert Loser state for (Assert\_Time) (180 sec). After that the assert timer for that interface should expire, and the assert state machine should be in No Info state. Further, the RUT should delete the AssertWinner(S,G,I) and AssertWinnerMetric(S,G,I) information for the interface that connects it to LAN1. In addition, the RUT should start forwarding the data packets from S1 on LAN1.

*Part M:*

- Until after the RUT receives the first Assert message from TR1, the results should be same as in Part I.
- After TR1 is restarted and the RUT has received the first Hello message from it, the (S,G) Assert state machine for the interface that connects the RUT to LAN1 should be in NoInfo state. Further, the RUT should delete the AssertWinner(S,G,I) and AssertWinnerMetric(S,G,I) information for the interface that connects it to LAN1. In addition, the RUT should start forwarding the data packets from S1 on LAN1.

*Part N:*

- After TR1 sends the (S,G) Join message to the RUT, the interface that connects the RUT to LAN1 should be added to the set of joined interfaces for the corresponding (S,G) routing state; the incoming interface for that state should be the interface that connects the RUT to LAN2.
- After S1 is started, the data packets should be forwarded on LAN1, and the SPT bit for the (S,G) routing state should be set.
- After the RUT receives the Assert message from TR3, the (S,G) Assert state machine for the interface that connects the RUT to LAN2 should be in I Am Assert Loser state.  
In addition, the RUT should store TR3 as AssertWinner(S,G,I) for the interface that connects the RUT to LAN2, it should store the assert metric of TR3 as AssertWinnerMetric(S,G,I), and the assert timer should be set to (Assert\_Time) (180 sec). The data packets from S1 should continue to be forwarded on LAN1.
- After the RUT receives the Assert message from TR1, the (S,G) Assert state machine for the interface that connects the RUT to LAN1 should be in I Am Assert Loser state.  
In addition, the RUT should store TR1 as AssertWinner(S,G,I) for the interface that connects the RUT to LAN1, it should store the assert metric of TR1 as AssertWinnerMetric(S,G,I), and the assert timer

should be set to (`Assert_Time`) (180 sec). Further, it should stop forwarding the data packets from S1 on LAN1.

Also, the (S,G) Assert state machine for the interface that connects the RUT to LAN2 should be in NoInfo state, and the RUT should delete the `AssertWinner(S,G,I)` and `AssertWinnerMetric(S,G,I)` information for the interface that connects it to LAN2.

- After the RUT receives the (S,G) Prune message from TR1, the (S,G) Assert state machine for the interface that connects the RUT to LAN1 should be in NoInfo state. Further, the RUT should delete the `AssertWinner(S,G,I)` and `AssertWinnerMetric(S,G,I)` information for the interface that connects it to LAN1.

*Part O:*

- After the RUT receives the (S,G) Join messages from TR1 and TR3, the interfaces that connect the RUT to LAN1 and LAN3 respectively should be added to the set of joined interfaces for the corresponding (S,G) routing state; the incoming interface for that state should be the interface that connects the RUT to LAN2.
- After S1 is started, the data packets should be forwarded on LAN1 and LAN3, and the SPT bit for the (S,G) routing state should be set.
- After the RUT receives the Assert message from TR1, the (S,G) Assert state machine for the interface that connects the RUT to LAN1 should be in I Am Assert Loser state.

In addition, the RUT should store TR1 as `AssertWinner(S,G,I)` for the interface that connects the RUT to LAN1, it should store the assert metric of TR1 as `AssertWinnerMetric(S,G,I)`, and the assert timer should be set to (`Assert_Time`) (180 sec). Further, it should stop forwarding the data packets from S1 on LAN1.

- After the MRIB in the RUT is reconfigured, the (S,G) Assert state machine for the interface that connects the RUT to LAN1 should be in NoInfo state. Further, the RUT should delete the `AssertWinner(S,G,I)` and `AssertWinnerMetric(S,G,I)` information for the interface that connects it to LAN1. In addition, the RUT should start forwarding the data packets from S1 on LAN1.
- After the test is repeated with `MRIB.pref(S) = 50` and `MRIB.metric(S) = 50`, the Assert state machine for the interface that connects the RUT to LAN1 should continue to be in I Am Assert Loser State.

*Part P:*

- Until after the RUT receives the Assert message from TR3, the results should be same as in Part N.
- After `RPF_interface(S)` in the RUT is changed, the (S,G) Assert state machine for the interface that connects the RUT to LAN2 should be in NoInfo state. Further, the RUT should delete the `AssertWinner(S,G,I)` and `AssertWinnerMetric(S,G,I)` information for the interface that connects it to LAN1.

*Part Q:*

- Until after the RUT receives the Assert message from TR1, the results should be same as in Part I.

- After the RUT receives the (S,G) Join message from TR1, the (S,G) Assert state machine for the interface that connects the RUT to LAN1 should be in NoInfo state. Further, the RUT should delete the AssertWinner(S,G,I) and AssertWinnerMetric(S,G,I) information for the interface that connects it to LAN1. In addition, the RUT should start forwarding the data packets from S1 on LAN1.

**Possible Problems:** In Part C, TR1 may transmit two identical Assert messages on LAN1 instead of one message. Strictly speaking, according to the PIM-SM spec (draft-ietf-pim-sm-v2-new-05), a router would send two Assert messages when the first data packet is received on the wrong interface. However, an implementation may choose to apply an optimization, and transmit only one Assert message instead.

## 5.2 (\*,G) Assert Message State Machine

**Purpose:** Verify that the (\*,G) Assert state machine operates properly.

**References:**

- draft-ietf-pim-sm-v2-new-05 – Section 4.6.2

**Discussion:** When a PIM-SM router receives a PIM Assert message, first the per-interface (S,G) state machine should be updated appropriately. Only if no change of state has occurred in the (S,G) assert state machine, and only if the (S,G) assert state machine is in NoInfo state, then the per-interface (\*,G) state machine should be updated appropriately. Typically, if an Assert message is received on an outgoing interface for the corresponding (\*,G) routing state, the router may either send Assert message on the same interface if it considers itself as the Assert winner; if the router considers itself as the Assert loser, it would remove that interface from the set of outgoing interfaces. Similarly, if data packet is received on an outgoing interface for corresponding (\*,G) routing state, the router will originate Assert message on that interface. Eventually, this Assert message will be received by the other upstream router that has forwarded that data packet on that LAN, and will trigger the Assert mechanism to elect the (\*,G) upstream forwarder for that LAN.

**Test Setup:** Connect the RUT, TR1, TR2, TR3, TR4, and S1 according to Figure 5.2. Configure the IP address of the interface that connects TR4 to LAN6 as the RP. Configure the RUT such that the next-hop router toward the RP is TR2. Configure TR3 such that the next-hop router toward S1 is TR4. Configure the RUT such that MRIB.pref(S) = 100, MRIB.metric(S) = 100, MRIB.pref(RP(G)) = 100, and MRIB.metric(RP(G)) = 100.

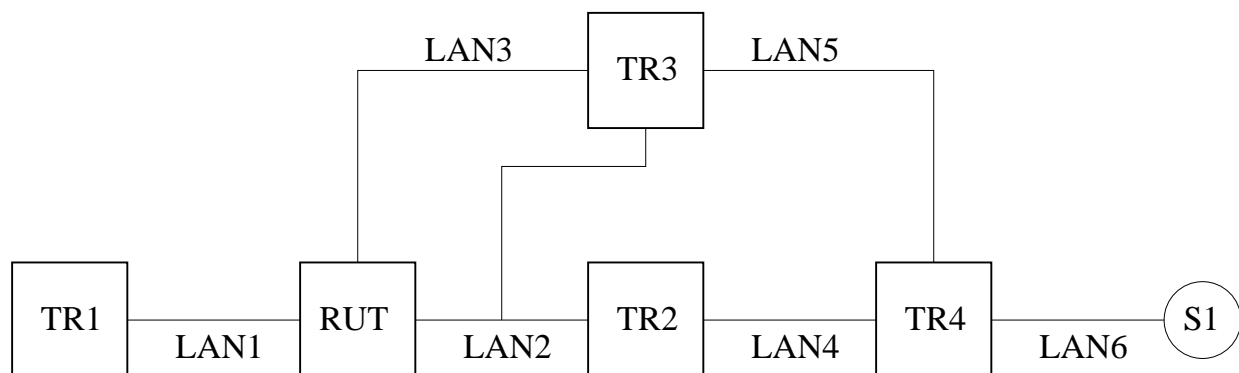


Figure 5.2: (\*,G) Assert message state machine test setup

**Procedure:**

*Part A: Receive Inferior Assert with RPTbit set and CouldAssert(\*,G,I) in NoInfo state.*

1. Start the RUT, TR1, TR2, and TR4. If necessary, wait until the RP-set in the RUT, TR1, TR2 and TR4 converges.
2. Compose an (\*,G) Join message at TR1, and send it to the RUT. The J/P\_HoldTime of the message should be set to its default value (210).
3. Start S1.

4. Start observing the Assert messages transmitted by the RUT on LAN3, and the (\*,G) Assert state in the RUT.
5. Compose an Assert message at TR3 with the S address set to the address of S1, the RPT-bit set to one, metric and metric preference set to 1000, and send it on LAN3.
6. Start observing the Assert messages transmitted by the RUT on LAN1, the (\*,G) Assert state in the RUT, and the data packets forwarded on LAN1.
7. Compose an Assert message at TR1 with the S address set to the address of S1, the RPT-bit set to one, metric and metric preference set to 1000, and send it on LAN1.
8. Continue observing the Assert messages transmitted by the RUT on LAN1, the (\*,G) Assert state in the RUT, and the data packets forwarded on LAN1.

*Part B: [This part is intentionally left blank.]*

*Part C: Data arrives for G on I and CouldAssert(\*,G,I) in NoInfo state.*

1. Start the RUT, TR1, TR2, and TR4. If necessary, wait until the RP-set in the RUT, TR1, TR2 and TR4 converges.
2. Compose an (\*,G) Join message at TR1, and send it to the RUT. The J/P\_HoldTime of the message should be set to its default value (210).
3. Start S1.
4. Start observing the Assert messages transmitted by the RUT on LAN1, the (\*,G) Assert state in the RUT, and the data packets forwarded on LAN1.
5. Compose a data packet at TR3 with the S address set to the address of S1, and send it on LAN3.
6. Continue observing the Assert messages transmitted by the RUT on LAN1, the (\*,G) Assert state in the RUT, and the data packets forwarded on LAN1.
7. Compose a data packet at TR1 with the S address set to the address of S1, and send it on LAN1.
8. Continue observing the Assert messages transmitted by the RUT on LAN1, the (\*,G) Assert state in the RUT, and the data packets forwarded on LAN1.

*Part D: Receive Preferred Assert with RPTbit set and AssertTrackingDesired(\*,G,I) in NoInfo state.*

1. Start the RUT, TR1, TR2, and TR4. If necessary, wait until the RP-set in the RUT, TR1, TR2 and TR4 converges.
2. Compose an (\*,G) Join message at TR1, and send it to the RUT. The J/P\_HoldTime of the message should be set to its default value (210).
3. Start observing the (\*,G) Assert state in the RUT.
4. Compose an Assert message at TR3 with the S address set to the address of S1, the RPT-bit set to one, metric and metric preference set to 10, and send it on LAN3.

5. Continue observing the (\*,G) Assert state in the RUT.
6. Compose an Assert message at TR1 with the S address set to the address of S1, the RPT-bit set to one, metric and metric preference set to 10, and send it on LAN1.
7. Continue observing the (\*,G) Assert state in the RUT.
8. Compose an Assert message at TR3 with the S address set to the address of S1, the RPT-bit set to one, metric and metric preference set to 10, and send it on LAN2.
9. Continue observing the (\*,G) Assert state in the RUT.
10. Compose an (\*,G) Join message at TR3, and send it to the RUT on LAN3. The `J/P_HoldTime` of the message should be set to its default value (210).
11. Compose an Assert message at TR3 with the S address set to the address of S1, the RPT-bit set to one, metric and metric preference set to 10, and send it on LAN2.
12. Continue observing the (\*,G) Assert state in the RUT.

*Part E: Timer expires in I Am Assert Winner state.*

1. Start the RUT, TR1, TR2, and TR4. If necessary, wait until the RP-set in the RUT, TR1, TR2 and TR4 converges.
2. Compose an (\*,G) Join message at TR1, and send it to the RUT. The `J/P_HoldTime` of the message should be set to its default value (210).
3. Start S1.
4. Start observing the Assert messages transmitted by the RUT on LAN1, the (\*,G) Assert state in the RUT, and the data packets forwarded on LAN1.
5. Compose an Assert message at TR1 with the S address set to the address of S1, the RPT-bit set to one, metric and metric preference set to 1000, and send it on LAN1.
6. Continue observing the Assert messages transmitted by the RUT on LAN1, the (\*,G) Assert state in the RUT, and the data packets forwarded on LAN1 for at least  $(\text{Assert\_Time} - \text{Assert\_Override\_Interval})$  (180 sec - 3 sec). In the mean time, every `t_periodic` (60 sec) compose same (\*,G) Join message at TR1, and send it to the RUT.

*Part F: Receive inferior Assert in I Am Assert Winner state.*

The setup is same as in Part A, except that TR3 does not need to transmit an Assert message, and that TR1 transmits another Assert message on LAN1 few seconds after its first Assert message.

*Part G: Receive Preferred Assert in I Am Assert Winner State.*

1. Start the RUT, TR1, TR2, and TR4. If necessary, wait until the RP-set in the RUT, TR1, TR2 and TR4 converges.
2. Compose an (\*,G) Join message at TR1, and send it to the RUT. The `J/P_HoldTime` of the message should be set to its default value (210).

3. Start S1.
4. Start observing the Assert messages transmitted by the RUT on LAN1, the (\*,G) Assert state in the RUT, and the data packets forwarded on LAN1.
5. Compose an Assert message at TR1 with the S address set to the address of S1, the RPT-bit set to one, metric and metric preference set to 1000, and send it on LAN1.
6. Continue observing the Assert messages transmitted by the RUT on LAN1, the (\*,G) Assert state in the RUT, and the data packets forwarded on LAN1.
7. Compose an Assert message at TR1 with the S address set to the address of S1, the RPT-bit set to one, metric and metric preference set to 10, and send it on LAN1.
8. Continue observing the Assert messages transmitted by the RUT on LAN1, the (\*,G) Assert state in the RUT, and the data packets forwarded on LAN1.

*Part H: CouldAssert(\*,G,I)  $\implies$  FALSE transaction in I Am Assert Winner state.*

1. Start the RUT, TR1, TR2, and TR4. If necessary, wait until the RP-set in the RUT, TR1, TR2 and TR4 converges.
2. Compose an (\*,G) Join message at TR1, and send it to the RUT. The J/P\_HoldTime of the message should be set to its default value (210).
3. Compose an (\*,G) Join message at TR3, and send it to the RUT on LAN3. The J/P\_HoldTime of the message should be set to its default value (210).
4. Start S1.
5. Start observing the Assert messages transmitted by the RUT on LAN1, the (\*,G) Assert state in the RUT, and the data packets forwarded on LAN1.
6. Compose an Assert message at TR1 with the S address set to the address of S1, the RPT-bit set to one, metric and metric preference set to 1000, and send it on LAN1.
7. Continue observing the Assert messages transmitted by the RUT on LAN1, the (\*,G) Assert state in the RUT, and the data packets forwarded on LAN1.
8. Compose an (\*,G) Prune message at TR1, and send it to the RUT. The J/P\_HoldTime of the message should be set to its default value (210).
9. Continue observing the Assert messages transmitted by the RUT on LAN1, the (\*,G) Assert state in the RUT, and the data packets forwarded on LAN1.

*Part I: Receive Preferred Assert in I Am Assert Loser State.*

1. Start the RUT, TR1, TR2, and TR4. If necessary, wait until the RP-set in the RUT, TR1, TR2 and TR4 converges.
2. Compose an (\*,G) Join message at TR1, and send it to the RUT. The J/P\_HoldTime of the message should be set to its default value (210).



3. Start S1.
4. Start observing the Assert messages transmitted by the RUT on LAN1, the (\*,G) Assert state in the RUT, and the data packets forwarded on LAN1.
5. Compose an Assert message at TR1 with the S address set to the address of S1, the RPT-bit set to one, metric and metric preference set to 10, and send it on LAN1.
6. Continue observing the Assert messages transmitted by the RUT on LAN1, the (\*,G) Assert state in the RUT, and the data packets forwarded on LAN1.
7. Compose an Assert message at TR1 with the S address set to the address of S1, the RPT-bit set to one, metric and metric preference set to 1, and send it on LAN1.
8. Continue observing the Assert messages transmitted by the RUT on LAN1, the (\*,G) Assert state in the RUT, and the data packets forwarded on LAN1.

*Part J: Receive Acceptable Assert from Current Winner in I Am Assert Loser State.*

The setup is same as in Part I, except that the second Assert message that TR1 transmits on LAN1 should have metric and metric preference set to 50.

*Part K: Receive Inferior Assert from Current Winner in I Am Assert Loser State.*

The setup is same as in Part I, except that the second Assert message that TR1 transmits on LAN1 should have metric and metric preference set to 1000.

*Part L: Timer expires in I Am Assert Loser State.*

1. Start the RUT, TR1, TR2, and TR4. If necessary, wait until the RP-set in the RUT, TR1, TR2 and TR4 converges.
2. Compose an (\*,G) Join message at TR1, and send it to the RUT. The J/P\_HoldTime of the message should be set to its default value (210).
3. Start S1.
4. Start observing the Assert messages transmitted by the RUT on LAN1, the (\*,G) Assert state in the RUT, and the data packets forwarded on LAN1.
5. Compose an Assert message at TR1 with the S address set to the address of S1, the RPT-bit set to one, metric and metric preference set to 10, and send it on LAN1.
6. Continue observing the Assert messages transmitted by the RUT on LAN1, the (\*,G) Assert state in the RUT, and the data packets forwarded on LAN1 for at least (Assert\_Time) (180 sec).

*Part M: Current winner's GenID changes in I Am Assert Loser State.*

1. Start the RUT, TR1, TR2, and TR4. If necessary, wait until the RP-set in the RUT, TR1, TR2 and TR4 converges.
2. Compose an (\*,G) Join message at TR1, and send it to the RUT. The J/P\_HoldTime of the message should be set to its default value (210).
3. Start S1.

4. Start observing the Assert messages transmitted by the RUT on LAN1, the (\*,G) Assert state in the RUT, and the data packets forwarded on LAN1.
5. Compose an Assert message at TR1 with the S address set to the address of S1, the RPT-bit set to one, metric and metric preference set to 10, and send it on LAN1.
6. Continue observing the Assert messages transmitted by the RUT on LAN1, the (\*,G) Assert state in the RUT, and the data packets forwarded on LAN1.
7. Quit TR1 (*i.e.*, stop it without graceful shutdown), and start it immediately.
8. Continue observing the Assert messages transmitted by the RUT on LAN1, the (\*,G) Assert state in the RUT, and the data packets forwarded on LAN1.

*Part N: AssertTrackingDesired(\*,G,I)  $\implies$  FALSE transaction in I Am Assert Loser State.*

1. Start the RUT, TR1, TR2, and TR4. If necessary, wait until the RP-set in the RUT, TR1, TR2 and TR4 converges.
2. Compose an (\*,G) Join message at TR1, and send it to the RUT. The  $J/P\_HoldTime$  of the message should be set to its default value (210).
3. Start S1.
4. Start observing the Assert messages transmitted by the RUT on LAN1 and LAN2, the (\*,G) Assert state in the RUT, and the data packets forwarded on LAN1.
5. Compose an Assert message at TR3 with the S address set to the address of S1, the RPT-bit set to one, metric and metric preference set to 10, and send it on LAN2.
6. Continue observing the Assert messages transmitted by the RUT on LAN1 and LAN2, the (\*,G) Assert state in the RUT, and the data packets forwarded on LAN1.
7. Compose an Assert message at TR1 with the S address set to the address of S1, the RPT-bit set to one, metric and metric preference set to 10, and send it on LAN1.
8. Continue observing the Assert messages transmitted by the RUT on LAN1 and LAN2, the (\*,G) Assert state in the RUT, and the data packets forwarded on LAN1.
9. Compose an (\*,G) Join message at TR3, and send it to the RUT on LAN2. The  $J/P\_HoldTime$  of the message should be set to its default value (210).
10. Compose an (\*,G) Prune message at TR1, and send it to the RUT. The  $J/P\_HoldTime$  of the message should be set to its default value (210).
11. Continue observing the Assert messages transmitted by the RUT on LAN1 and LAN2, the (\*,G) Assert state in the RUT, and the data packets forwarded on LAN1.

*Part O: my\_assert\_metric  $\implies$  better than winner's metric in I Am Assert Loser State.*

1. Start the RUT, TR1, TR2, and TR4. If necessary, wait until the RP-set in the RUT, TR1, TR2 and TR4 converges.

2. Compose an (\*,G) Join message at TR1, and send it to the RUT. The  $J/P\_HoldTime$  of the message should be set to its default value (210).
3. Compose an (\*,G) Join message at TR3, and send it to the RUT on LAN3. The  $J/P\_HoldTime$  of the message should be set to its default value (210).
4. Start S1.
5. Start observing the Assert messages transmitted by the RUT on LAN1, the (\*,G) Assert state in the RUT, and the data packets forwarded on LAN1.
6. Compose an Assert message at TR1 with the S address set to the address of S1, the RPT-bit set to one, metric and metric preference set to 10, and send it on LAN1.
7. Continue observing the Assert messages transmitted by the RUT on LAN1, the (\*,G) Assert state in the RUT, and the data packets forwarded on LAN1.
8. Reconfigure the MRIB in the RUT, such that  $MRIB.pref(RP(G)) = 1$ , and  $MRIB.metric(RP(G)) = 1$ .
9. Continue observing the Assert messages transmitted by the RUT on LAN1, the (\*,G) Assert state in the RUT, and the data packets forwarded on LAN1.
10. Repeat the test with  $MRIB.pref(RP(G)) = 50$ , and  $MRIB.metric(RP(G)) = 50$ .

*Part P: RPF\_interface(RP(G)) stops being I in I Am Assert Loser State.*

1. Start the RUT, TR1, TR2, and TR4. If necessary, wait until the RP-set in the RUT, TR1, TR2 and TR4 converges.
2. Compose an (\*,G) Join message at TR1, and send it to the RUT. The  $J/P\_HoldTime$  of the message should be set to its default value (210).
3. Start S1.
4. Start observing the Assert messages transmitted by the RUT on LAN2 and LAN3, the (\*,G) Assert state in the RUT, and the data packets forwarded on LAN1.
5. Compose an Assert message at TR3 with the S address set to the address of S1, the RPT-bit set to one, metric and metric preference set to 10, and send it on LAN2.
6. Continue observing the Assert messages transmitted by the RUT on LAN2 and LAN3, the (\*,G) Assert state in the RUT, and the data packets forwarded on LAN1.
7. Reconfigure the RPF information in the RUT, such that  $RPF\_interface(RP(G))$  is the interface that connects the RUT to LAN3.
8. Continue observing the Assert messages transmitted by the RUT on LAN2 and LAN3, the (\*,G) Assert state in the RUT, and the data packets forwarded on LAN1.

*Part Q: Receive Join(\*,G) or Join(\*,\*,RP(G)) on interface I in I Am Assert Loser State.*

1. Start the RUT, TR1, TR2, and TR4. If necessary, wait until the RP-set in the RUT, TR1, TR2 and TR4 converges.

2. Compose an (\*,G) Join message at TR1, and send it to the RUT. The `J/P_HoldTime` of the message should be set to its default value (210).
3. Start S1.
4. Start observing the Assert messages transmitted by the RUT on LAN1, the (\*,G) Assert state in the RUT, and the data packets forwarded on LAN1.
5. Compose an Assert message at TR1 with the S address set to the address of S1, the RPT-bit set to one, metric and metric preference set to 10, and send it on LAN1.
6. Continue observing the Assert messages transmitted by the RUT on LAN1, the (\*,G) Assert state in the RUT, and the data packets forwarded on LAN1.
7. Compose an (\*,G) Join message at TR1, and send it to the RUT. The `J/P_HoldTime` of the message should be set to its default value (210).
8. Continue observing the Assert messages transmitted by the RUT on LAN1, the (\*,G) Assert state in the RUT, and the data packets forwarded on LAN1.
9. Repeat the test except that TR1 composes and sends (\*,\*,RP) Join message instead of the second (\*,G) Join message.

*Part R: (\*,G) assert state machine suppressed by (S,G) assert state machine.*

1. Start the RUT, TR1, TR2, and TR4. If necessary, wait until the RP-set in the RUT, TR1, TR2 and TR4 converges.
2. Compose an (\*,G) Join message at TR1, and send it to the RUT. The `J/P_HoldTime` of the message should be set to its default value (210).
3. Compose an (S,G) Join message at TR1 with the S address set to the address of S1, and send it to the RUT. The `J/P_HoldTime` of the message should be set to its default value (210).
4. Start S1.
5. Start observing the Assert messages transmitted by the RUT on LAN1, the (S,G) and (\*,G) Assert state in the RUT, and the data packets forwarded on LAN1.
6. Compose an Assert message at TR1 with the S address set to the address of S1, the RPT-bit set to zero, metric and metric preference set to 10, and send it on LAN1.
7. Continue observing the Assert messages transmitted by the RUT on LAN1, the (S,G) and (\*,G) Assert state in the RUT, and the data packets forwarded on LAN1.
8. Compose an Assert message at TR1 with the S address set to the address of S1, the RPT-bit set to one, metric and metric preference set to 1000, and send it on LAN1.
9. Continue observing the Assert messages transmitted by the RUT on LAN1, the (S,G) and (\*,G) Assert state in the RUT, and the data packets forwarded on LAN1.

*Part S: (\*,G) assert state machine not suppressed by (S,G) assert state machine.*

1. Start the RUT, TR1, TR2, and TR4. If necessary, wait until the RP-set in the RUT, TR1, TR2 and TR4 converges.
2. Compose an (\*,G) Join message at TR1, and send it to the RUT. The `J/P_HoldTime` of the message should be set to its default value (210).
3. Compose an (S,G) Join message at TR3 with the S address set to the address of S1, and send it to the RUT on LAN3. The `J/P_HoldTime` of the message should be set to its default value (210).
4. Compose an (S,G,rpt) Prune message at TR1, and send it to the RUT. The `J/P_HoldTime` of the message should be set to its default value (210).
5. Start S1.
6. Start observing the Assert messages transmitted by the RUT on LAN1, the (S,G) and (\*,G) Assert state in the RUT, and the data packets forwarded on LAN1.
7. Compose an Assert message at TR1 with the S address set to the address of S1, the RPT-bit set to one, metric and metric preference set to 10, and send it on LAN1.
8. Continue observing the Assert messages transmitted by the RUT on LAN1, the (S,G) and (\*,G) Assert state in the RUT, and the data packets forwarded on LAN1.
9. Compose an Assert message at TR1 with the S address set to the address of S1, the RPT-bit set to one, metric and metric preference set to 1000, and send it on LAN1.
10. Continue observing the Assert messages transmitted by the RUT on LAN1, the (S,G) and (\*,G) Assert state in the RUT, and the data packets forwarded on LAN1.

## Observable Results:

### Part A:

- After TR1 sends the (\*,G) Join message to the RUT, the interface that connects the RUT to LAN1 should be added to the set of joined interfaces for the corresponding (\*,G) routing state; the incoming interface for that state should be the interface that connects the RUT to LAN2.
- After S1 is started, the data packets should be forwarded on LAN1.
- After TR3 transmits the Assert message on LAN3, the (\*,G) Assert state machine for the interface that connects the RUT to LAN3 should continue to be in NoInfo state.
- After TR1 transmits the Assert message on LAN1, the RUT itself should transmit an (\*,G) Assert message on LAN1 with the RPT bit set to one, and the metric and metric preference set to 100. The (\*,G) Assert state machine for the interface that connects the RUT to LAN1 should be in I Am Assert Winner state:

```
Xorp> show pim join
Group          Source          RP              Flags
224.0.1.20     0.0.0.0         10.4.0.1       WC
  Upstream interface (RP):  dc1
  Upstream MRIB next hop (RP): 10.2.0.2
```

```

Upstream RPF'(*,G):      10.2.0.2
Upstream state:         Joined
Join timer:             9
Local receiver include WC: .....
Joins RP:               .....
Joins WC:               .....O.....
Join state:             .....O.....
Prune state:           .....
Prune pending state:   .....
I am assert winner state: .....O.....
I am assert loser state: .....
Assert winner WC:      .....O.....
Assert lost WC:        .....
Assert tracking WC:    .....O..O.....
Could assert WC:      .....O.....
I am DR:               .....O.....
Immediate olist RP:    .....
Immediate olist WC:    .....O.....
Inherited olist SG:    .....
Inherited olist SG_RPT: .....
PIM include WC:       .....

```

In addition, the RUT should store self as AssertWinner(\*,G,I), it should store rpt\_assert\_metric(G,I) as AssertWinnerMetric(\*,G,I), and the assert timer should be set to (Assert\_Time - Assert\_Override\_Interval)(180 sec - 3 sec). After that, the RUT should continue to forward the data packets from S1 on LAN1.

*Part B:*

[This part is intentionally left blank].

*Part C:*

The results should be same as in Part A, except that the Assert message transmitted by the RUT is triggered by the data packet.

*Part D:*

- After TR1 sends the (\*,G) Join message to the RUT, the interface that connects the RUT to LAN1 should be added to the set of joined interfaces for the corresponding (\*,G) routing state; the incoming interface for that state should be the interface that connects the RUT to LAN2.
- After TR3 transmits the Assert message on LAN3, the (\*,G) Assert state machine for the interface that connects the RUT to LAN3 should continue to be in NoInfo state.
- After TR1 transmits the Assert message on LAN1, the (\*,G) Assert state machine for the interface that connects the RUT to LAN1 should be in I Am Assert Loser state:

```

Xorp> show pim join
Group          Source          RP              Flags
224.0.1.20    0.0.0.0        10.4.0.1       WC

```

```

Upstream interface (RP):    dc1
Upstream MRIB next hop (RP): 10.2.0.2
Upstream RPF'(*,G):        10.2.0.2
Upstream state:            NotJoined
Join timer:                 -1
Local receiver include WC: .....
Joins RP:                   .....
Joins WC:                   .....O.....
Join state:                 .....O.....
Prune state:                .....
Prune pending state:       .....
I am assert winner state:   .....
I am assert loser state:    .....O.....
Assert winner WC:          .....
Assert lost WC:             .....O.....
Assert tracking WC:         .....O.....
Could assert WC:           .....O.....
I am DR:                    .....O.....
Immediate olist RP:         .....
Immediate olist WC:         .....
Inherited olist SG:        .....
Inherited olist SG_RPT:    .....
PIM include WC:            .....

```

In addition, the RUT should store TR1 as AssertWinner(\*,G,I) for the interface that connects the RUT to LAN1, it should store the assert metric of TR1 as AssertWinnerMetric(\*,G,I), and the assert timer should be set to (Assert\_Time)(180 sec).

- After TR3 transmits the first Assert message on LAN2, the (\*,G) Assert state machine for the interface that connects the RUT to LAN2 should continue to be in NoInfo state.
- After TR3 transmits the second Assert message on LAN2, the (\*,G) Assert state machine for the interface that connects the RUT to LAN2 should be in I Am Assert Loser state. In addition, the RPF'(\*,G) should be set to the interface that connects TR3 to LAN2:

```

Xorp> show pim join
Group          Source          RP              Flags
224.0.1.20    0.0.0.0         10.4.0.1       WC
  Upstream interface (RP):    dc1
  Upstream MRIB next hop (RP): 10.2.0.2
  Upstream RPF'(*,G):        10.2.0.4
  Upstream state:            Joined
  Join timer:                 59
  Local receiver include WC: .....
  Joins RP:                   .....
  Joins WC:                   .....O.O.....
  Join state:                 .....O.O.....
  Prune state:                .....

```

```

Prune pending state:      .....
I am assert winner state: .....
I am assert loser state: .....O..O.....
Assert winner WC:        .....
Assert lost WC:          .....O.....
Assert tracking WC:      .....OO.O.....
Could assert WC:         .....O.O.....
I am DR:                 .....O.....
Immediate olist RP:      .....
Immediate olist WC:      .....O.....
Inherited olist SG:      .....
Inherited olist SG_RPT: .....
PIM include WC:         .....

```

In addition, the RUT should store TR3 as AssertWinner(\*,G,I) for the interface that connects the RUT to LAN2, it should store the assert metric of TR3 as AssertWinnerMetric(\*,G,I), and the assert timer should be set to (Assert\_Time)(180 sec).

*Part E:*

- Until after the RUT receives the Assert message from TR1, the results should be same as in Part A. After that, once every (Assert\_Time - Assert\_Override\_Interval)(180 sec - 3 sec). the RUT should transmit an Assert message on LAN1 with the RPT bit set to one, the metric and metric preference set to 100. The (\*,G) Assert state machine for the interface that connects the RUT to LAN1 should continue to be in I Am Assert Winner state.

*Part F:*

- Until after the RUT receives the first Assert message from TR1, the results should be same as in Part A.
- After the RUT receives the second Assert message from TR1, the RUT the RUT should transmit Assert an message on LAN1 with the RPT bit set to one, the metric and metric preference set to 100. The (\*,G) Assert state machine for the interface that connects the RUT to LAN1 should continue to be in I Am Assert Winner state. In addition, the assert timer should be set to (Assert\_Time - Assert\_Override\_Interval)(180 sec - 3 sec).

*Part G:*

- Until after the RUT receives the first Assert message from TR1, the results should be same as in Part A.
- After the RUT receives the second Assert message from TR1, the (\*,G) Assert state machine for the interface that connects the RUT to LAN1 should be in I Am Assert Loser state:



```

Xorp> show pim join
Group           Source           RP              Flags
224.0.1.20     0.0.0.0         10.4.0.1      WC
  Upstream interface (RP):  dc1
  Upstream MRIB next hop (RP): 10.2.0.2
  Upstream RPF'(*,G):      10.2.0.2
  Upstream state:          NotJoined
  Join timer:              -1
  Local receiver include WC: .....
  Joins RP:                .....
  Joins WC:                 .....O.....
  Join state:               .....O.....
  Prune state:              .....
  Prune pending state:     .....
  I am assert winner state: .....
  I am assert loser state: .....O.....
  Assert winner WC:        .....
  Assert lost WC:          .....O.....
  Assert tracking WC:       .....O.....
  Could assert WC:         .....O.....
  I am DR:                  .....O.....
  Immediate olist RP:      .....
  Immediate olist WC:      .....
  Inherited olist SG:      .....
  Inherited olist SG_RPT: .....
  PIM include WC:         .....

```

In addition, the RUT should store TR1 as AssertWinner(\*,G,I) for the interface that connects the RUT to LAN1, it should store the assert metric of TR1 as AssertWinnerMetric(\*,G,I), and the assert timer should be set to (Assert\_Time)(180 sec). Further, it should stop forwarding the data packets from S1 on LAN1.

*Part H:*

- Until after the RUT receives the Assert message from TR1, the results should be similar as in Part A, except that the interface that connects the RUT to LAN3 should also be added to the set of (\*,G) Joined interfaces, and to the set of outgoing interfaces:

```

Xorp> show pim join
Group           Source           RP              Flags
224.0.1.20     0.0.0.0         10.4.0.1      WC
  Upstream interface (RP):  dc1
  Upstream MRIB next hop (RP): 10.2.0.2
  Upstream RPF'(*,G):      10.2.0.2
  Upstream state:          Joined
  Join timer:              40
  Local receiver include WC: .....

```

```

Joins RP: .....
Joins WC: .....O.O.....
Join state: .....O.O.....
Prune state: .....
Prune pending state: .....
I am assert winner state: .....
I am assert loser state: .....
Assert winner WC: .....
Assert lost WC: .....
Assert tracking WC: .....OO.O.....
Could assert WC: .....O.O.....
I am DR: .....O.....
Immediate olist RP: .....
Immediate olist WC: .....O.O.....
Inherited olist SG: .....
Inherited olist SG_RPT: .....
PIM include WC: .....

```

- After TR1 transmits the (\*,G) Prune message to the RUT, the (\*,G) Assert state machine for the interface that connects the RUT to LAN1 should be in NoInfo state:

```

Xorp> show pim join
Group          Source          RP              Flags
224.0.1.20    0.0.0.0        10.4.0.1       WC
  Upstream interface (RP):  dc1
  Upstream MRIB next hop (RP): 10.2.0.2
  Upstream RPF' (*,G):      10.2.0.2
  Upstream state:          Joined
  Join timer:              11
  Local receiver include WC: .....
  Joins RP:                .....
  Joins WC:                .....O.....
  Join state:              .....O.....
  Prune state:             .....
  Prune pending state:     .....
  I am assert winner state: .....
  I am assert loser state: .....
  Assert winner WC:        .....
  Assert lost WC:          .....
  Assert tracking WC:      .....OO.....
  Could assert WC:         .....O.....
  I am DR:                 .....O.....
  Immediate olist RP:      .....
  Immediate olist WC:      .....O.....
  Inherited olist SG:      .....
  Inherited olist SG_RPT: .....
  PIM include WC:         .....

```

The RUT should send AssertCancel(\*,G) on LAN1 (*i.e.*, an (\*,G) Assert message with the source address set to RP(G), the RPT bit set to one, the metric set to 0xffffffff, and the metric preference set to 0x7fffffff). Further, the RUT should delete the AssertWinner(\*,G,I) and AssertWinnerMetric(\*,G,I) information for the interface that connects it to LAN1. In addition, the RUT should stop forwarding the data packets from S1 on LAN1.

*Part I:*

- After TR1 sends the (\*,G) Join message to the RUT, the interface that connects the RUT to LAN1 should be added to the set of joined interfaces for the corresponding (\*,G) routing state; the incoming interface for that state should be the interface that connects the RUT to LAN2.

- After S1 is started, the data packets should be forwarded on LAN1.

- After the RUT receives the first Assert message from TR1, the (\*,G) Assert state machine for the interface that connects the RUT to LAN1 should be in I Am Assert Loser state.

In addition, the RUT should store TR1 as AssertWinner(\*,G,I) for the interface that connects the RUT to LAN1, it should store the assert metric of TR1 as AssertWinnerMetric(\*,G,I), and the assert timer should be set to (Assert\_Time)(180 sec). Further, it should stop forwarding the data packets from S1 on LAN1.

- After the RUT receives the second Assert message from TR1, the (\*,G) Assert state machine for the interface that connects the RUT to LAN1 should continue to be in I Am Assert Loser state.

In addition, the RUT should store TR1 as AssertWinner(\*,G,I) for the interface that connects the RUT to LAN1, it should store the new assert metric of TR1 as AssertWinnerMetric(\*,G,I), and the assert timer should be set to (Assert\_Time)(180 sec).

*Part J:*

The results should be same as in Part I.

*Part K:*

- Until after the RUT receives the first Assert message from TR1, the results should be same as in Part I.

- After the RUT receives the second Assert message from TR1, the (\*,G) Assert state machine for the interface that connects the RUT to LAN1 should be in NoInfo state. Further, the RUT should delete the AssertWinner(\*,G,I) and AssertWinnerMetric(\*,G,I) information for the interface that connects it to LAN1. In addition, the RUT should start forwarding the data packets from S1 on LAN1.

*Part L:*

- Until after the RUT receives the first Assert message from TR1, the results should be same as in Part I.

- The (\*,G) Assert state machine for the interface that connects the RUT to LAN1 should continue to be in I Am Assert Loser state for (Assert\_Time)(180 sec). After that the assert timer for that interface should expire, and the assert state machine should be in No Info state. Further, the RUT should delete the AssertWinner(\*,G,I) and AssertWinnerMetric(\*,G,I) information for the interface that connects it to LAN1. In addition, the RUT should start forwarding the data packets from S1 on LAN1.

*Part M:*

- Until after the RUT receives the first Assert message from TR1, the results should be same as in Part I.
- After TR1 is restarted and the RUT has received the first Hello message from it, the (\*,G) Assert state machine for the interface that connects the RUT to LAN1 should be in NoInfo state. Further, the RUT should delete the AssertWinner(\*,G,I) and AssertWinnerMetric(\*,G,I) information for the interface that connects it to LAN1. In addition, the RUT should start forwarding the data packets from S1 on LAN1.

*Part N:*

- After TR1 sends the (\*,G) Join message to the RUT, the interface that connects the RUT to LAN1 should be added to the set of joined interfaces for the corresponding (\*,G) routing state; the incoming interface for that state should be the interface that connects the RUT to LAN2.

- After S1 is started, the data packets should be forwarded on LAN1.

- After the RUT receives the Assert message from TR3, the (\*,G) Assert state machine for the interface that connects the RUT to LAN2 should be in I Am Assert Loser state.

In addition, the RUT should store TR3 as AssertWinner(\*,G,I) for the interface that connects the RUT to LAN2, it should store the assert metric of TR3 as AssertWinnerMetric(\*,G,I), and the assert timer should be set to (Assert\_Time) (180 sec). The data packets from S1 should continue to be forwarded on LAN1.

- After the RUT receives the Assert message from TR1, the (\*,G) Assert state machine for the interface that connects the RUT to LAN1 should be in I Am Assert Loser state.

In addition, the RUT should store TR1 as AssertWinner(\*,G,I) for the interface that connects the RUT to LAN1, it should store the assert metric of TR1 as AssertWinnerMetric(\*,G,I), and the assert timer should be set to (Assert\_Time) (180 sec). Further, it should stop forwarding the data packets from S1 on LAN1.

Also, the (\*,G) Assert state machine for the interface that connects the RUT to LAN2 should be in NoInfo state, and the RUT should delete the AssertWinner(\*,G,I) and AssertWinnerMetric(\*,G,I) information for the interface that connects it to LAN2.

- After the RUT receives the (\*,G) Prune message from TR1, the (\*,G) Assert state machine for the interface that connects the RUT to LAN1 should be in NoInfo state. Further, the RUT should delete the AssertWinner(\*,G,I) and AssertWinnerMetric(\*,G,I) information for the interface that connects it to LAN1.

*Part O:*

- After the RUT receives the (\*,G) Join messages from TR1 and TR3, the interfaces that connect the RUT to LAN1 and LAN3 respectively should be added to the set of joined interfaces for the corresponding (\*,G) routing state; the incoming interface for that state should be the interface that connects the RUT to LAN2.

- After S1 is started, the data packets should be forwarded on LAN1 and LAN3.

- After the RUT receives the Assert message from TR1, the (\*,G) Assert state machine for the interface that connects the RUT to LAN1 should be in I Am Assert Loser state.

In addition, the RUT should store TR1 as AssertWinner(\*,G,I) for the interface that connects the RUT to LAN1, it should store the assert metric of TR1 as AssertWinnerMetric(\*,G,I), and the assert timer should be set to (Assert\_Time) (180 sec). Further, it should stop forwarding the data packets from S1 on LAN1.

- After the MRIB in the RUT is reconfigured, the (\*,G) Assert state machine for the interface that connects the RUT to LAN1 should be in NoInfo state. Further, the RUT should delete the AssertWinner(\*,G,I) and AssertWinnerMetric(\*,G,I) information for the interface that connects it to LAN1. In addition, the RUT should start forwarding the data packets from S1 on LAN1.
- After the test is repeated with MRIB.pref(RP(G)) = 50 and MRIB.metric(RP(G)) = 50, the Assert state machine for the interface that connects the RUT to LAN1 should continue to be in I Am Assert Loser State.

*Part P:*

- Until after the RUT receives the Assert message from TR3, the results should be same as in Part N.
- After RPF\_interface(S) in the RUT is changed, the (\*,G) Assert state machine for the interface that connects the RUT to LAN2 should be in NoInfo state. Further, the RUT should delete the AssertWinner(\*,G,I) and AssertWinnerMetric(\*,G,I) information for the interface that connects it to LAN1.

*Part Q:*

- Until after the RUT receives the Assert message from TR1, the results should be same as in Part I.
- After the RUT receives the (\*,G) Join message from TR1, the (\*,G) Assert state machine for the interface that connects the RUT to LAN1 should be in NoInfo state. Further, the RUT should delete the AssertWinner(\*,G,I) and AssertWinnerMetric(\*,G,I) information for the interface that connects it to LAN1. In addition, the RUT should start forwarding the data packets from S1 on LAN1.
- When the test is repeated with (\*,\*,RP) Join message instead of the second (\*,G) Join messages, the result should be same.

*Part R:*

- After the RUT receives the (\*,G) and (S,G) Join messages from TR1, the interface that connects the RUT to LAN1 should be added to the set of joined interfaces for the corresponding (\*,G) and (S,G) routing states; the incoming interface for those states should be the interface that connects the RUT to LAN2.
- After S1 is started, the data packets should be forwarded on LAN1.
- After the RUT receives the first Assert message from TR1, the (S,G) Assert state machine for the interface that connects the RUT to LAN1 should be in I Am Assert Loser state. The (\*,G) Assert state machine for the interface that connects the RUT to LAN1 should continue to be in NoInfo state.

In addition, the RUT should store TR1 as AssertWinner(S,G,I) for the interface that connects the RUT to LAN1, it should store the assert metric of TR1 as AssertWinnerMetric(S,G,I), and the assert timer should be set to (Assert\_Time) (180 sec). Further, it should stop forwarding the data packets from S1 on LAN1.

- After the RUT receives the second Assert message from TR1, the (S,G) Assert state machine for the interface that connects the RUT to LAN1 should be in NoInfo state. The (\*,G) Assert state machine for the interface that connects the RUT to LAN1 should continue to be in NoInfo state. Further, the RUT should delete the AssertWinner(S,G,I) and AssertWinnerMetric(S,G,I) information for the interface that connects it to LAN1. In addition, the RUT should start forwarding the data packets from S1 on LAN1.

*Part S:*

- After the RUT receives the (\*,G) Join message from TR1, the interface that connects the RUT to LAN1 should be added to the set of joined interfaces for the corresponding (\*,G) routing state; the incoming interface for that state should be the interface that connects the RUT to LAN2.
- After the RUT receives the (S,G) Join message from TR3, the interface that connects the RUT to LAN3 should be added to the set of joined interfaces for the corresponding (S,G) routing state; the incoming interface for that state should be the interface that connects the RUT to LAN2.
- After the RUT receives the (S,G,rpt) Prune message from TR1, the interface that connects the RUT to LAN1 should be added to the set of prune interfaces for the corresponding (S,G,rpt) routing state; the incoming interface for that state should be the interface that connects the RUT to LAN2.
- After S1 is started, the data packets should be forwarded on LAN3, but not on LAN1.
- After the RUT receives the first Assert message from TR1, the (\*,G) Assert state machine for the interface that connects the RUT to LAN1 should be in I Am Assert Loser state.

In addition, the RUT should store TR1 as AssertWinner(\*,G,I) for the interface that connects the RUT to LAN1, it should store the assert metric of TR1 as AssertWinnerMetric(\*,G,I), and the assert timer should be set to (Assert\_Time) (180 sec).

- After the RUT receives the second Assert message from TR1, the (\*,G) Assert state machine for the interface that connects the RUT to LAN1 should be in NoInfo state. Further, the RUT should delete the AssertWinner(\*,G,I) and AssertWinnerMetric(\*,G,I) information for the interface that connects it to LAN1.

**Possible Problems:** In Part C, TR1 may transmit two identical Assert messages on LAN1 instead of one message. Strictly speaking, according to the PIM-SM spec (draft-ietf-pim-sm-v2-new-05), a router would send two Assert messages when the first data packet is received on the wrong interface. However, an implementation may choose to apply an optimization, and transmit only one Assert message instead.

## Test Group 6

# Bootstrap Mechanism

**Scope:** Test sending and receiving of PIM Bootstrap and Candidate-RP-Advertisement messages.

**Overview:** The Bootstrap mechanism is one of the mechanisms that can be used to set the group-to-RP mapping in the PIM-SM routers in a domain. Typically, a small set of routers within a domain are configured as Candidate Bootstrap routers (C-BSRs). A single BSR is elected for that domain through a simple election mechanism. A set of routers within a domain are also configured as Candidate RPs (C-RPs); candidate RPs advertise their willingness to be RPs by periodically unicasting Candidate-RP-Advertisement messages (C-RP-Advs) to the BSR for that domain. The BSR includes a set of these C-RPs (the RP-Set) in the Bootstrap messages (BSMs) it originates periodically. The Bootstrap messages are distributed hop-by-hop through the domain, and are used to elect the BSR for that domain, as well as to distribute the RP-Set to all PIM-SM routers within that domain.

## 6.1 Candidate BSR State Machine

**Purpose:** Test the per-scope-zone state machine for a candidate BSR.

**References:**

- draft-ietf-pim-sm-bsr-03 – Section 3

**Discussion:** Candidate BSRs originate Bootstrap messages which contain information such as BSR-priority and BSR-address of the candidate BSRs. This information is used to elect a single BSR per scope-zone per domain. The elected BSR then periodically originates a Bootstrap message that contains also the candidate-RP information. The candidate-RP information is used to compose the RP-Set in all PIM-SM routers within the same domain. If a candidate BSR has not received the Bootstrap message from the elected BSR for some amount of time, then the elected BSR is timed-out, and that candidate BSR originates its own Bootstrap message which will be used by other candidate BSRs to elect a new BSR for that scope-zone and domain.

**Test Setup:** Connect the RUT, TR1, TR2, TR3, and TR4 according to Figure 6.1. Enable PIM-SM on the RUT, TR1, TR2, TR3, and TR4. Configure the RUT as a Cand-BSR for non-scoped zone 224.0.0.0/4 with default BSR priority of 1, unless stated otherwise.

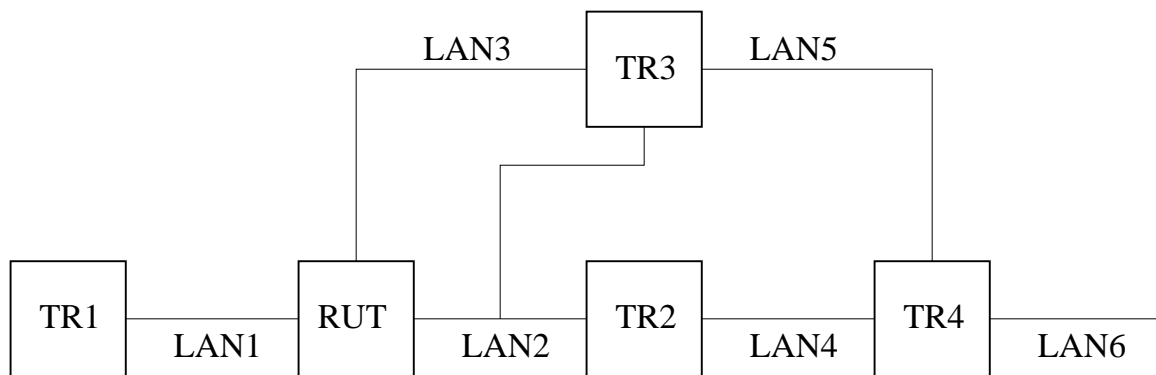


Figure 6.1: Candidate BSR state machine test setup

**Procedure:**

*Part A: Receive preferred BSM in Pending BSR state.*

1. Start the RUT and TR1, and start observing the Bootstrap messages transmitted on LAN1.
2. Check the BSR status in the RUT.
3. Compose a Bootstrap message at TR1 with the BSR address set to TR1, BSR priority of 10, Cand-RP set composed of TR1 as an RP for 226.0.0.0/8, and send it on LAN1.
4. Right after the RUT receives the Bootstrap message, check the BSR status, and the RP-Set in the RUT.

*Part B: BS Timer expires in Pending BSR state.*

1. Configure the RUT as a Candidate-RP for 226.0.0.0/8.



2. Start the RUT and TR1, and start observing the Bootstrap messages transmitted on LAN1.
3. Check the BSR status in the RUT.
4. Wait for up to `BS_Timeout` (130 sec) until the BS Timer in the RUT expires.
5. After the BS Timer in the RUT expires, check the BSR status, and the RP-Set in the RUT.

*Part C: Receive non-preferred BSM in Pending BSR state.*

The setup is same as in Part A, except that the BSR priority of the Bootstrap message originated by TR1 is 0 instead of 10.

*Part D: Receive preferred BSM in Candidate BSR state.*

1. Start the RUT, TR1, and TR2, and start observing the Bootstrap messages transmitted on LAN1 and LAN2.
2. Check the BSR status in the RUT.
3. Compose a Bootstrap message at TR1 with the BSR address set to TR1, BSR priority of 10, Cand-RP set composed of TR1 as an RP for 226.0.0.0/8, and send it on LAN1.
4. Right after the RUT receives the Bootstrap message, check the BSR status, and the RP-Set in the RUT.
5. Compose a Bootstrap message at TR2 with the BSR address set to TR2, BSR priority of 20, Cand-RP set composed of TR2 as an RP for 226.0.0.0/8, and send it on LAN2.
6. Right after the RUT receives the Bootstrap message, check the BSR status, and the RP-Set in the RUT.
7. Compose a Bootstrap message at TR2 with the BSR address set to TR2, BSR priority of 25, Cand-RP set composed of TR2 as an RP for 226.0.0.0/8, and send it on LAN2. However, the Fragment Tag for this message should be different from the Fragment Tag for the previous Bootstrap message.
8. Right after the RUT receives the Bootstrap message, check the BSR status, and the RP-Set in the RUT.

*Part E: BS Timer expires in Candidate BSR state.*

1. Start the RUT and TR1, and start observing the Bootstrap messages transmitted on LAN1.
2. Check the BSR status in the RUT.
3. Compose a Bootstrap message at TR1 with the BSR address set to TR1, BSR priority of 10, Cand-RP set composed of TR1 as an RP for 226.0.0.0/8, and send it on LAN1.
4. Right after the RUT receives the Bootstrap message, check the BSR status, and the RP-Set in the RUT.
5. Wait for up to `BS_Timeout` (130 sec) until the BS Timer in the RUT expires.
6. After the BS Timer in the RUT expires, check the BSR status, and the RP-Set in the RUT.
7. Wait for up to `rand_override` (`weighted_rand(5.0, 23.0)` sec) until the BS Timer in the RUT expires.
8. After the BS Timer in the RUT expires, check the BSR status, and the RP-Set in the RUT.

*Part F: Receive non-preferred BSM from elected BSR in Candidate BSR state.*

1. Start the RUT and TR1, and start observing the Bootstrap messages transmitted on LAN1.
2. Check the BSR status in the RUT.
3. Compose a Bootstrap message at TR1 with the BSR address set to TR1, BSR priority of 10, Cand-RP set composed of TR1 as an RP for 226.0.0.0/8, and send it on LAN1.
4. Right after the RUT receives the Bootstrap message, check the BSR status, and the RP-Set in the RUT.
5. Compose a Bootstrap message at TR1 with the BSR address set to TR1, BSR priority of 5, Cand-RP set composed of TR1 as an RP for 226.0.0.0/8, and send it on LAN1. However, the Fragment Tag for this message should be different from the Fragment Tag for the previous Bootstrap message.
6. Right after the RUT receives the Bootstrap message, check the BSR status, and the RP-Set in the RUT.
7. Wait for up to `rand_override` (`weighted_rand(5.0, 23.0)` sec) until the BS Timer in the RUT expires.
8. After the BS Timer in the RUT expires, check the BSR status, and the RP-Set in the RUT.

*Part G: Receive preferred BSM in Elected BSR state.*

1. Configure the RUT as a Candidate-RP for 226.0.0.0/8.
2. Start the RUT and TR1, and start observing the Bootstrap messages transmitted on LAN1.
3. Check the BSR status in the RUT.
4. Wait for up to `BS_Timeout` (130 sec) until the BS Timer in the RUT expires.
5. After the BS Timer in the RUT expires, check the BSR status, and the RP-Set in the RUT.
6. Compose a Bootstrap message at TR1 with the BSR address set to TR1, BSR priority of 10, Cand-RP set composed of TR1 as an RP for 226.0.0.0/8, and send it on LAN1.
7. Right after the RUT receives the Bootstrap message, check the BSR status, and the RP-Set in the RUT.

*Part H: BS Timer expires in Elected BSR state.*

1. Configure the RUT as a Candidate-RP for 226.0.0.0/8.
2. Start the RUT and TR1, and start observing the Bootstrap messages transmitted on LAN1.
3. Check the BSR status in the RUT.
4. Wait for up to `BS_Timeout` (130 sec) until the BS Timer in the RUT expires.
5. After the BS Timer in the RUT expires, check the BSR status, and the RP-Set in the RUT.
6. Wait for up to `BS_Period` (60 sec) until the BS Timer in the RUT expires.
7. After the BS Timer in the RUT expires, check the BSR status, and the RP-Set in the RUT.

*Part I: Receive non-preferred BSM in Elected BSR state.*

The setup is same as in Part G, except that the BSR priority of the Bootstrap message originated by TR1 is 0 instead of 10.

### Observable Results:

*Part A:*

- Right after the RUT is started, its BSR state machine should be in Pending state:

```
Xorp> show pim bootstrap
Active zones:
BSR          Pri LocalAddress  Pri State      Timeout SZTimeout
0.0.0.0      0 10.2.0.1       1 Pending      84      -1
Expiring zones:
BSR          Pri LocalAddress  Pri State      Timeout SZTimeout
Configured zones:
BSR          Pri LocalAddress  Pri State      Timeout SZTimeout
10.2.0.1     1 10.2.0.1       1 Init        -1      -1
```

- After the RUT receives the Bootstrap message, it should forward it back on LAN1. Its BSR state machine should be in Candidate BSR state, and the elected BSR should be TR1. The BS Timer in the RUT should be set to BS\_Timeout (130 sec):

```
Xorp> show pim bootstrap
Active zones:
BSR          Pri LocalAddress  Pri State      Timeout SZTimeout
10.6.0.1     10 10.2.0.1      1 Candidate    127     -1
Expiring zones:
BSR          Pri LocalAddress  Pri State      Timeout SZTimeout
Configured zones:
BSR          Pri LocalAddress  Pri State      Timeout SZTimeout
10.2.0.1     1 10.2.0.1       1 Init        -1      -1
```

In addition, the RP-Set should contain TR1 as the RP for 226.0.0.0/8:

```
Xorp> show pim bootstrap rps
Active RPs:
RP          Pri Timeout GroupPrefix  BSR      CandRpAdvTimeout
10.6.0.1   192      145 226.0.0.0/8  10.6.0.1 -1
Expiring RPs:
RP          Pri Timeout GroupPrefix  BSR      CandRpAdvTimeout
Configured RPs:
RP          Pri Timeout GroupPrefix  BSR      CandRpAdvTimeout
```

*Part B:*

- Right after the RUT is started, its BSR state machine should be in Pending state:

```
Xorp> show pim bootstrap
Active zones:
BSR          Pri LocalAddress  Pri State      Timeout SZTimeout
0.0.0.0      0 10.2.0.1      1 Pending      83       -1
Expiring zones:
BSR          Pri LocalAddress  Pri State      Timeout SZTimeout
Configured zones:
BSR          Pri LocalAddress  Pri State      Timeout SZTimeout
10.2.0.1     1 10.2.0.1      1 Init        -1       -1
```

- After the BS Timer in the RUT expires, the RUT should store itself in the RP-Set, and should originate a Bootstrap message on LAN1. Its BSR state machine should be in Elected BSR state, and the elected BSR should be the RUT. The BS Timer in the RUT should be set to BS\_Period (60 sec):

```
Xorp> show pim bootstrap
Active zones:
BSR          Pri LocalAddress  Pri State      Timeout SZTimeout
10.2.0.1     1 10.2.0.1      1 Elected     58       -1
Expiring zones:
BSR          Pri LocalAddress  Pri State      Timeout SZTimeout
Configured zones:
BSR          Pri LocalAddress  Pri State      Timeout SZTimeout
10.2.0.1     1 10.2.0.1      1 Init        -1       -1
```

In addition, the RP-Set should contain the RUT as the RP for 226.0.0.0/8:

```
Xorp> show pim bootstrap rps
Active RPs:
RP          Pri Timeout GroupPrefix  BSR      CandRpAdvTimeout
10.2.0.1    192      -1 226.0.0.0/8  10.2.0.1  -1
Expiring RPs:
RP          Pri Timeout GroupPrefix  BSR      CandRpAdvTimeout
Configured RPs:
RP          Pri Timeout GroupPrefix  BSR      CandRpAdvTimeout
10.2.0.1    192      -1 226.0.0.0/8  10.2.0.1  42
```

*Part C:*

- Right after the RUT is started, its BSR state machine should be in Pending state:

```
Xorp> show pim bootstrap
Active zones:
BSR          Pri LocalAddress  Pri State      Timeout SZTimeout
0.0.0.0      0 10.2.0.1      1 Pending      85       -1
Expiring zones:
BSR          Pri LocalAddress  Pri State      Timeout SZTimeout
```

Configured zones:

BSR	Pri	LocalAddress	Pri	State	Timeout	SZTimeout
10.2.0.1	1	10.2.0.1	1	Init	-1	-1

- After the RUT receives the Bootstrap message, it should silently ignore it. Its BSR state machine should continue to be in Pending BSR state:

```
Xorp> show pim bootstrap
```

Active zones:

BSR	Pri	LocalAddress	Pri	State	Timeout	SZTimeout
0.0.0.0	0	10.2.0.1	1	Pending	71	-1

Expiring zones:

BSR	Pri	LocalAddress	Pri	State	Timeout	SZTimeout
-----	-----	--------------	-----	-------	---------	-----------

Configured zones:

BSR	Pri	LocalAddress	Pri	State	Timeout	SZTimeout
10.2.0.1	1	10.2.0.1	1	Init	-1	-1

In addition, the RP-Set not be modified:

```
Xorp> show pim bootstrap rps
```

Active RPs:

RP	Pri	Timeout	GroupPrefix	BSR	CandRpAdvTimeout
----	-----	---------	-------------	-----	------------------

Expiring RPs:

RP	Pri	Timeout	GroupPrefix	BSR	CandRpAdvTimeout
----	-----	---------	-------------	-----	------------------

Configured RPs:

RP	Pri	Timeout	GroupPrefix	BSR	CandRpAdvTimeout
----	-----	---------	-------------	-----	------------------

#### Part D:

- Right after the RUT is started, its BSR state machine should be in Pending state:

```
Xorp> show pim bootstrap
```

Active zones:

BSR	Pri	LocalAddress	Pri	State	Timeout	SZTimeout
0.0.0.0	0	10.2.0.1	1	Pending	152	-1

Expiring zones:

BSR	Pri	LocalAddress	Pri	State	Timeout	SZTimeout
-----	-----	--------------	-----	-------	---------	-----------

Configured zones:

BSR	Pri	LocalAddress	Pri	State	Timeout	SZTimeout
10.2.0.1	1	10.2.0.1	1	Init	-1	-1

- After the RUT receives the first Bootstrap message, it should forward it on LAN2, and back on LAN1. Its BSR state machine should be in Candidate BSR state, and the elected BSR should be TR1. The BS Timer in the RUT should be set to BS\_Timeout (130 sec):

```
Xorp> show pim bootstrap
```

```
Active zones:
```

BSR	Pri	LocalAddress	Pri	State	Timeout	SZTimeout
10.6.0.1	10	10.2.0.1	1	Candidate	128	-1

```
Expiring zones:
```

BSR	Pri	LocalAddress	Pri	State	Timeout	SZTimeout
-----	-----	--------------	-----	-------	---------	-----------

```
Configured zones:
```

BSR	Pri	LocalAddress	Pri	State	Timeout	SZTimeout
10.2.0.1	1	10.2.0.1	1	Init	-1	-1

In addition, the RP-Set should contain TR1 as the RP for 226.0.0.0/8:

```
Xorp> show pim bootstrap rps
```

```
Active RPs:
```

RP	Pri	Timeout	GroupPrefix	BSR	CandRpAdvTimeout
10.6.0.1	192	144	226.0.0.0/8	10.6.0.1	-1

```
Expiring RPs:
```

RP	Pri	Timeout	GroupPrefix	BSR	CandRpAdvTimeout
----	-----	---------	-------------	-----	------------------

```
Configured RPs:
```

RP	Pri	Timeout	GroupPrefix	BSR	CandRpAdvTimeout
----	-----	---------	-------------	-----	------------------

- After the RUT receives the second Bootstrap message, it should forward it on LAN1, and back on LAN2. Its BSR state machine should continue be in Candidate BSR state, but the elected BSR should be TR2. The BS Timer in the RUT should be set to BS\_Timeout (130 sec):

```
Xorp> show pim bootstrap
```

```
Active zones:
```

BSR	Pri	LocalAddress	Pri	State	Timeout	SZTimeout
10.3.0.1	20	10.2.0.1	1	Candidate	128	-1

```
Expiring zones:
```

BSR	Pri	LocalAddress	Pri	State	Timeout	SZTimeout
-----	-----	--------------	-----	-------	---------	-----------

```
Configured zones:
```

BSR	Pri	LocalAddress	Pri	State	Timeout	SZTimeout
10.2.0.1	1	10.2.0.1	1	Init	-1	-1

In addition, the RP-Set should contain TR2 as the RP for 226.0.0.0/8:

```
Xorp> show pim bootstrap rps
```

```
Active RPs:
```

RP	Pri	Timeout	GroupPrefix	BSR	CandRpAdvTimeout
10.3.0.1	192	145	226.0.0.0/8	10.3.0.1	-1

```
Expiring RPs:
```

RP	Pri	Timeout	GroupPrefix	BSR	CandRpAdvTimeout
----	-----	---------	-------------	-----	------------------

```
Configured RPs:
```

RP	Pri	Timeout	GroupPrefix	BSR	CandRpAdvTimeout
----	-----	---------	-------------	-----	------------------

- After the RUT receives the third Bootstrap message, it should forward it on LAN1, and back on LAN2. Its BSR state machine should continue be in Candidate BSR state, and the elected BSR should continue be TR2. The BS Timer in the RUT should be set to BS\_Timeout (130 sec). However, the BSR priority should be updated to 25:

```
Xorp> show pim bootstrap
Active zones:
BSR          Pri LocalAddress  Pri State      Timeout SZTimeout
10.3.0.1     25 10.2.0.1      1 Candidate    128     -1
Expiring zones:
BSR          Pri LocalAddress  Pri State      Timeout SZTimeout
Configured zones:
BSR          Pri LocalAddress  Pri State      Timeout SZTimeout
10.2.0.1     1 10.2.0.1        1 Init        -1      -1
```

In addition, the RP-Set should continue to contain TR2 as the RP for 226.0.0.0/8:

```
Xorp> show pim bootstrap rps
Active RPs:
RP          Pri Timeout GroupPrefix  BSR      CandRpAdvTimeout
10.3.0.1    192      143 226.0.0.0/8  10.3.0.1 -1
Expiring RPs:
RP          Pri Timeout GroupPrefix  BSR      CandRpAdvTimeout
Configured RPs:
RP          Pri Timeout GroupPrefix  BSR      CandRpAdvTimeout
```

#### Part E:

- Right after the RUT is started, its BSR state machine should be in Pending state:

```
Xorp> show pim bootstrap
Active zones:
BSR          Pri LocalAddress  Pri State      Timeout SZTimeout
0.0.0.0      0 10.2.0.1      1 Pending     98      -1
Expiring zones:
BSR          Pri LocalAddress  Pri State      Timeout SZTimeout
Configured zones:
BSR          Pri LocalAddress  Pri State      Timeout SZTimeout
10.2.0.1     1 10.2.0.1        1 Init        -1      -1
```

- After the RUT receives the first Bootstrap message, it should forward it on LAN2, and back on LAN1. Its BSR state machine should be in Candidate BSR state, and the elected BSR should be TR1. The BS Timer in the RUT should be set to BS\_Timeout (130 sec):

```
Xorp> show pim bootstrap
Active zones:
```

```

BSR          Pri LocalAddress      Pri State      Timeout SZTimeout
10.6.0.1     10 10.2.0.1    1 Candidate    127      -1
Expiring zones:
BSR          Pri LocalAddress      Pri State      Timeout SZTimeout
Configured zones:
BSR          Pri LocalAddress      Pri State      Timeout SZTimeout
10.2.0.1     1 10.2.0.1      1 Init        -1       -1

```

In addition, the RP-Set should contain TR1 as the RP for 226.0.0.0/8:

```

Xorp> show pim bootstrap rps
Active RPs:
RP          Pri Timeout GroupPrefix      BSR          CandRpAdvTimeout
10.6.0.1    192      145 226.0.0.0/8    10.6.0.1     -1
Expiring RPs:
RP          Pri Timeout GroupPrefix      BSR          CandRpAdvTimeout
Configured RPs:
RP          Pri Timeout GroupPrefix      BSR          CandRpAdvTimeout

```

- After up to BS\_Timeout (130 sec) the BS Timer in the RUT should expire.
- After the BS Timer in the RUT expires, the BSR state machine should be in Pending BSR, and the BS Timer should be set to rand\_override (weighted\_rand(5.0, 23.0) sec):

```

Xorp> show pim bootstrap
Active zones:
BSR          Pri LocalAddress      Pri State      Timeout SZTimeout
10.6.0.1     10 10.2.0.1      1 Pending     13       -1
Expiring zones:
BSR          Pri LocalAddress      Pri State      Timeout SZTimeout
Configured zones:
BSR          Pri LocalAddress      Pri State      Timeout SZTimeout
10.2.0.1     1 10.2.0.1        1 Init        -1       -1

```

In addition, the RP-Set should still contain TR1 as the RP for 226.0.0.0/8:

```

Xorp> show pim bootstrap rps
Active RPs:
RP          Pri Timeout GroupPrefix      BSR          CandRpAdvTimeout
10.6.0.1    192      17 226.0.0.0/8    10.6.0.1     -1
Expiring RPs:
RP          Pri Timeout GroupPrefix      BSR          CandRpAdvTimeout
Configured RPs:
RP          Pri Timeout GroupPrefix      BSR          CandRpAdvTimeout

```

- After up to rand\_override (weighted\_rand(5.0, 23.0) sec) the BS Timer in the RUT should expire.



- After the BS Timer in the RUT expires, the BSR state machine should be in Elected BSR state, the RUT should originate a Bootstrap message on LAN1, and the elected BSR should be the RUT itself. The BS Timer in the RUT should be set to BS\_Period (60 sec):

```
Xorp> show pim bootstrap
Active zones:
BSR          Pri LocalAddress  Pri State      Timeout SZTimeout
10.2.0.1     1 10.2.0.1       1 Elected      57      -1
Expiring zones:
BSR          Pri LocalAddress  Pri State      Timeout SZTimeout
10.6.0.1     10 10.2.0.1      1 Elected      0       -1
Configured zones:
BSR          Pri LocalAddress  Pri State      Timeout SZTimeout
10.2.0.1     1 10.2.0.1       1 Init        -1      -1
```

In addition, the RP-Set should still contain TR1 as the RP for 226.0.0.0/8:

```
Xorp> show pim bootstrap rps
Active RPs:
RP          Pri Timeout GroupPrefix      BSR          CandRpAdvTimeout
Expiring RPs:
RP          Pri Timeout GroupPrefix      BSR          CandRpAdvTimeout
10.6.0.1   192         2 226.0.0.0/8     10.6.0.1    -1
Configured RPs:
RP          Pri Timeout GroupPrefix      BSR          CandRpAdvTimeout
```

*Part F:*

The results should be same as in Part E, except that the transition of the BSR state machine of the RUT from Candidate BSR state to Pending BSR state should be triggered by the second Bootstrap message originated by TR1.

*Part G:*

- Right after the RUT is started, its BSR state machine should be in Pending state:

```
Xorp> show pim bootstrap
Active zones:
BSR          Pri LocalAddress  Pri State      Timeout SZTimeout
0.0.0.0      0 10.2.0.1       1 Pending      160     -1
Expiring zones:
BSR          Pri LocalAddress  Pri State      Timeout SZTimeout
Configured zones:
BSR          Pri LocalAddress  Pri State      Timeout SZTimeout
10.2.0.1     1 10.2.0.1       1 Init        -1      -1
```

- After up to BS\_Timeout (130 sec) the BS Timer in the RUT should expire.

- After the BS Timer in the RUT expires, the BSR state machine should be in Elected BSR state, the RUT should originate a Bootstrap message on LAN1, and the elected BSR should be the RUT itself. The BS Timer in the RUT should be set to BS\_Period (60 sec):

```
Xorp> show pim bootstrap
Active zones:
BSR          Pri LocalAddress  Pri State      Timeout SZTimeout
10.2.0.1     1 10.2.0.1       1 Elected      57      -1
Expiring zones:
BSR          Pri LocalAddress  Pri State      Timeout SZTimeout
Configured zones:
BSR          Pri LocalAddress  Pri State      Timeout SZTimeout
10.2.0.1     1 10.2.0.1       1 Init         -1      -1
```

In addition, the RP-Set should contain the RUT as the RP for 226.0.0.0/8:

```
Xorp> show pim bootstrap rps
Active RPs:
RP           Pri Timeout GroupPrefix    BSR      CandRpAdvTimeout
10.2.0.1    192      -1 226.0.0.0/8   10.2.0.1 -1
Expiring RPs:
RP           Pri Timeout GroupPrefix    BSR      CandRpAdvTimeout
Configured RPs:
RP           Pri Timeout GroupPrefix    BSR      CandRpAdvTimeout
10.2.0.1    192      -1 226.0.0.0/8   10.2.0.1 20
```

- After the RUT receives the Bootstrap message, it should forward it on LAN1. Its BSR state machine should be in Candidate BSR state, and the elected BSR should be TR1. The BS Timer in the RUT should be set to BS\_Timeout (130 sec):

```
Xorp> show pim bootstrap
Active zones:
BSR          Pri LocalAddress  Pri State      Timeout SZTimeout
10.6.0.1     10 10.2.0.1       1 Candidate     126     -1
Expiring zones:
BSR          Pri LocalAddress  Pri State      Timeout SZTimeout
Configured zones:
BSR          Pri LocalAddress  Pri State      Timeout SZTimeout
10.2.0.1     1 10.2.0.1       1 Init         -1      -1
```

In addition, the RP-Set should contain TR1 as the RP for 226.0.0.0/8:

```
Xorp> show pim bootstrap rps
Active RPs:
RP           Pri Timeout GroupPrefix    BSR      CandRpAdvTimeout
10.6.0.1    192      142 226.0.0.0/8   10.6.0.1 -1
```

```

Expiring RPs:
RP          Pri Timeout GroupPrefix      BSR          CandRpAdvTimeout
Configured RPs:
RP          Pri Timeout GroupPrefix      BSR          CandRpAdvTimeout
10.2.0.1   192         -1 226.0.0.0/8    10.2.0.1     52

```

*Part H:*

- Right after the RUT is started, its BSR state machine should be in Pending state:

```

Xorp> show pim bootstrap
Active zones:
BSR          Pri LocalAddress  Pri State      Timeout SZTimeout
0.0.0.0      0 10.2.0.1       1 Pending      88       -1
Expiring zones:
BSR          Pri LocalAddress  Pri State      Timeout SZTimeout
Configured zones:
BSR          Pri LocalAddress  Pri State      Timeout SZTimeout
10.2.0.1     1 10.2.0.1       1 Init        -1       -1

```

- After up to BS\_Timeout (130 sec) the BS Timer in the RUT should expire.
- After the BS Timer in the RUT expires, the BSR state machine should be in Elected BSR state, the RUT should originate a Bootstrap message on LAN1, and the elected BSR should be the RUT itself. The BS Timer in the RUT should be set to BS\_Period (60 sec):

```

Xorp> show pim bootstrap
Active zones:
BSR          Pri LocalAddress  Pri State      Timeout SZTimeout
10.2.0.1     1 10.2.0.1       1 Elected     58       -1
Expiring zones:
BSR          Pri LocalAddress  Pri State      Timeout SZTimeout
Configured zones:
BSR          Pri LocalAddress  Pri State      Timeout SZTimeout
10.2.0.1     1 10.2.0.1       1 Init        -1       -1

```

In addition, the RP-Set should contain the RUT as the RP for 226.0.0.0/8:

```

Xorp> show pim bootstrap rps
Active RPs:
RP          Pri Timeout GroupPrefix      BSR          CandRpAdvTimeout
10.2.0.1   192         -1 226.0.0.0/8    10.2.0.1     -1
Expiring RPs:
RP          Pri Timeout GroupPrefix      BSR          CandRpAdvTimeout
Configured RPs:
RP          Pri Timeout GroupPrefix      BSR          CandRpAdvTimeout
10.2.0.1   192         -1 226.0.0.0/8    10.2.0.1     24

```

- After BS\_Period (60 sec) the BS Timer in the RUT should expire.
- After the BS Timer in the RUT expires, the BSR state machine should continue to be in Elected BSR state, the RUT should originate a Bootstrap message on LAN1, and the elected BSR should be the RUT itself. The BS Timer in the RUT should be set to BS\_Period (60 sec):

```
Xorp> show pim bootstrap
Active zones:
BSR          Pri LocalAddress      Pri State      Timeout SZTimeout
10.2.0.1     1 10.2.0.1         1 Elected      55       -1
Expiring zones:
BSR          Pri LocalAddress      Pri State      Timeout SZTimeout
Configured zones:
BSR          Pri LocalAddress      Pri State      Timeout SZTimeout
10.2.0.1     1 10.2.0.1         1 Init         -1       -1
```

In addition, the RP-Set should continue to contain the RUT as the RP for 226.0.0.0/8:

```
Xorp> show pim bootstrap rps
Active RPs:
RP          Pri Timeout GroupPrefix      BSR          CandRpAdvTimeout
10.2.0.1   192      -1 226.0.0.0/8     10.2.0.1     -1
Expiring RPs:
RP          Pri Timeout GroupPrefix      BSR          CandRpAdvTimeout
Configured RPs:
RP          Pri Timeout GroupPrefix      BSR          CandRpAdvTimeout
10.2.0.1   192      -1 226.0.0.0/8     10.2.0.1     25
```

*Part I:*

The results should be same as in Part H, except that the same actions that were triggered when the RUT is in Elected BSR state and the BS Timer expired, in this part those actions should be triggered when the RUT receives the Bootstrap message originated by TR1.

**Possible Problems:** The RUT might become the BSR earlier or later than BS\_Timeout (130 sec) if the implementation uses shorter or longer timeout interval on startup (e.g., if it has tuned for fast start-up, or if it uses a randomized timeout interval). In Part E, if the Cand-RP holdtime of TR1 is too short, TR1 may expire from the RP-Set before the BSR state machine of RUT transitions to Pending BSR or Elected BSR state.

## 6.2 Non-Candidate BSR State Machine

**Purpose:** Test the per-scope-zone state machine for a non-candidate BSR.

**References:**

- draft-ietf-pim-sm-bsr-03 – Section 3

**Discussion:** Non-candidate BSRs listen for Bootstrap messages which contain information such as BSR-priority and BSR-address of the candidate BSRs. This information is used to elect a single BSR per scope-zone per domain. The elected BSR then periodically originates a Bootstrap message that contains also the candidate-RP information. The candidate-RP information is used to compose the RP-Set in all PIM-SM routers within the same domain. If a non-candidate BSR has not received the Bootstrap message from the elected BSR for some amount of time, then the elected BSR is timed-out.

**Test Setup:** Connect the RUT, TR1, TR2, TR3, and TR4 according to Figure 6.2. Enable PIM-SM on the RUT, TR1, TR2, TR3, and TR4. Do NOT configure the RUT as a Cand-BSR.

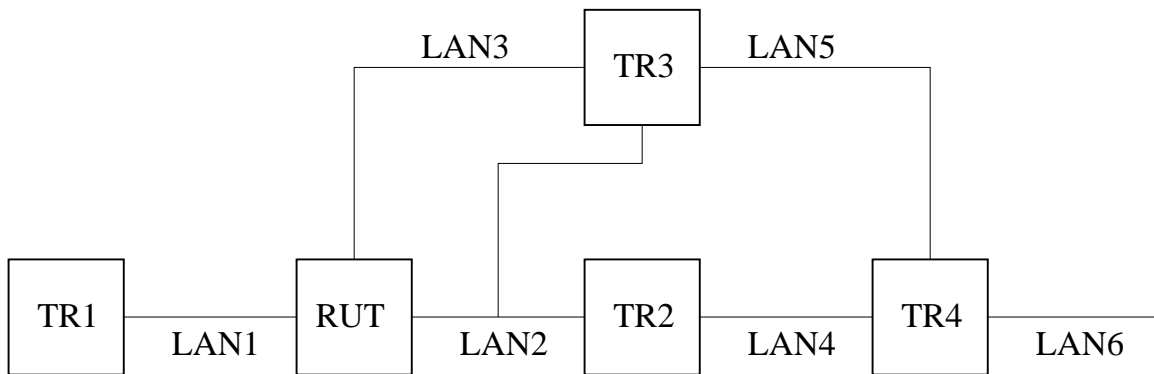


Figure 6.2: Non-candidate BSR state machine test setup

**Procedure:**

*Part A: Receive BSM for unknown Admin Scope in No Info state.*

1. Start the RUT and TR1, and start observing the Bootstrap messages transmitted on LAN1.
2. Check the BSR status in the RUT.
3. Compose a Bootstrap message at TR1 with the BSR address set to TR1, BSR priority of 10, Cand-RP set composed of TR1 as an RP for 226.0.0.0/8, and send it on LAN1.
4. Right after the RUT receives the Bootstrap message, check the BSR status, and the RP-Set in the RUT.

*Part B: Receive preferred BSM in Accept Preferred state.*

1. Start the RUT, TR1, and TR2, and start observing the Bootstrap messages transmitted on LAN1.
2. Check the BSR status in the RUT.

3. Compose a Bootstrap message at TR1 with the BSR address set to TR1, BSR priority of 10, Cand-RP set composed of TR1 as an RP for 226.0.0.0/8, and send it on LAN1.
4. Right after the RUT receives the Bootstrap message, check the BSR status, and the RP-Set in the RUT.
5. Compose a Bootstrap message at TR2 with the BSR address set to TR2, BSR priority of 20, Cand-RP set composed of TR2 as an RP for 226.0.0.0/8, and send it on LAN2.
6. Right after the RUT receives the Bootstrap message, check the BSR status, and the RP-Set in the RUT.

*Part C: BS Timer expires in Accept Preferred state.*

1. Start the RUT and TR1, and start observing the Bootstrap messages transmitted on LAN1.
2. Check the BSR status in the RUT.
3. Compose a Bootstrap message at TR1 with the BSR address set to TR1, BSR priority of 10, Cand-RP set composed of TR1 as an RP for 226.0.0.0/8, and send it on LAN1.
4. Right after the RUT receives the Bootstrap message, check the BSR status, and the RP-Set in the RUT.
5. Wait for up to BS\_Timeout (130 sec) until the BS Timer in the RUT expires.
6. After the BS Timer in the RUT expires, check the BSR status, and the RP-Set in the RUT.

*Part D: Receive non-preferred BSM in Accept Preferred state.*

The setup is same as in Part B, except that the BSR priority of the Bootstrap message originated by TR2 is 0 instead of 20.

*Part E: Receive BSM in Accept Any state.*

1. Start the RUT, TR1, and TR2, and start observing the Bootstrap messages transmitted on LAN1 and LAN2.
2. Check the BSR status in the RUT.
3. Compose a Bootstrap message at TR1 with the BSR address set to TR1, BSR priority of 10, Cand-RP set composed of TR1 as an RP for 226.0.0.0/8, and send it on LAN1.
4. Right after the RUT receives the Bootstrap message, check the BSR status, and the RP-Set in the RUT.
5. Wait for up to BS\_Timeout (130 sec) until the BS Timer in the RUT expires.
6. After the BS Timer in the RUT expires, check the BSR status, and the RP-Set in the RUT.
7. Compose a Bootstrap message at TR2 with the BSR address set to TR2, BSR priority of 0, Cand-RP set composed of TR2 as an RP for 226.0.0.0/8, and send it on LAN2.
8. Right after the RUT receives the Bootstrap message, check the BSR status, and the RP-Set in the RUT.

*Part F: SZ Timer expires in Accept Any.*

1. Start the RUT and TR1, and start observing the Bootstrap messages transmitted on LAN1.

2. Check the BSR status in the RUT.
3. Compose a Bootstrap message at TR1 with the BSR address set to TR1, BSR priority of 10, Cand-RP set composed of TR1 as an RP for 226.0.0.0/8, and send it on LAN1.
4. Right after the RUT receives the Bootstrap message, check the BSR status, and the RP-Set in the RUT.
5. Wait for up to BS\_Timeout (130 sec) until the BS Timer in the RUT expires.
6. After the BS Timer in the RUT expires, check the BSR status, and the RP-Set in the RUT.
7. Wait for up to SZ\_Timeout (1300 sec) until the BS Timer in the RUT expires.
8. After the BS Timer in the RUT expires, check the BSR status, and the RP-Set in the RUT.

### Observable Results:

#### Part A:

- Right after the RUT is started, its BSR state machine should be in No Info state:

```
Xorp> show pim bootstrap
Active zones:
BSR          Pri LocalAddress      Pri State      Timeout SZTimeout
Expiring zones:
BSR          Pri LocalAddress      Pri State      Timeout SZTimeout
Configured zones:
BSR          Pri LocalAddress      Pri State      Timeout SZTimeout
0.0.0.0      0 0.0.0.0            0 Init         -1      -1
```

- After the RUT receives the Bootstrap message, it should forward it back on LAN1. Its BSR state machine should be in Accept Preferred state, and the elected BSR should be TR1. The BS Timer in the RUT should be set to BS\_Timeout (130 sec). The SZ Timer in the RUT should be set to SZ\_Timeout (1300 sec):

```
Xorp> show pim bootstrap
Active zones:
BSR          Pri LocalAddress      Pri State      Timeout SZTimeout
10.6.0.1     10 0.0.0.0            0 AcceptPreferred 127     1297
Expiring zones:
BSR          Pri LocalAddress      Pri State      Timeout SZTimeout
Configured zones:
BSR          Pri LocalAddress      Pri State      Timeout SZTimeout
0.0.0.0      0 0.0.0.0            0 Init         -1      -1
```

In addition, the RP-Set should contain TR1 as the RP for 226.0.0.0/8:

```

Xorp> show pim bootstrap rps
Active RPs:
RP          Pri Timeout GroupPrefix      BSR          CandRpAdvTimeout
10.6.0.1    192      145 226.0.0.0/8    10.6.0.1    -1
Expiring RPs:
RP          Pri Timeout GroupPrefix      BSR          CandRpAdvTimeout
Configured RPs:
RP          Pri Timeout GroupPrefix      BSR          CandRpAdvTimeout
10.2.0.1    192      -1 226.0.0.0/8    0.0.0.0     55

```

*Part B:*

- The results until after the first Bootstrap message is received should be same as in Part A, except that the Bootstrap message is forwarded on LAN2 as well.
- After the RUT receives the second Bootstrap message, it should forward it on LAN1, and back on LAN2. Its BSR state machine should be in Accept Preferred state, and the elected BSR should be TR2. The BS Timer in the RUT should be set to BS\_Timeout (130 sec). The SZ Timer in the RUT should be set to SZ\_Timeout (1300 sec):

```

Xorp> show pim bootstrap
Active zones:
BSR          Pri LocalAddress  Pri State          Timeout SZTimeout
10.3.0.1     20 0.0.0.0         0 AcceptPreferred   125    1295
Expiring zones:
BSR          Pri LocalAddress  Pri State          Timeout SZTimeout
Configured zones:
BSR          Pri LocalAddress  Pri State          Timeout SZTimeout
0.0.0.0     0 0.0.0.0         0 Init             -1     -1

```

In addition, the RP-Set should contain TR2 as the RP for 226.0.0.0/8:

```

Xorp> show pim bootstrap rps
Active RPs:
RP          Pri Timeout GroupPrefix      BSR          CandRpAdvTimeout
10.3.0.1    192      141 226.0.0.0/8    10.3.0.1    -1
Expiring RPs:
RP          Pri Timeout GroupPrefix      BSR          CandRpAdvTimeout
Configured RPs:
RP          Pri Timeout GroupPrefix      BSR          CandRpAdvTimeout
10.2.0.1    192      -1 226.0.0.0/8    0.0.0.0     51

```

*Part C:*

- The results until after the first Bootstrap message is received should be same as in Part A.
- After the BS Timer in the RUT expires, the BSR state machine should be in Accept Any state:



```
Xorp> show pim bootstrap
Active zones:
BSR          Pri LocalAddress      Pri State      Timeout SZTimeout
10.6.0.1     10 0.0.0.0          0 AcceptAny    0       1167
Expiring zones:
BSR          Pri LocalAddress      Pri State      Timeout SZTimeout
Configured zones:
BSR          Pri LocalAddress      Pri State      Timeout SZTimeout
0.0.0.0     0 0.0.0.0           0 Init        -1       -1
```

In addition, the RP-Set not be modified:

```
Xorp> show pim bootstrap rps
Active RPs:
RP          Pri Timeout GroupPrefix      BSR          CandRpAdvTimeout
10.6.0.1   192      16 226.0.0.0/8     10.6.0.1     -1
Expiring RPs:
RP          Pri Timeout GroupPrefix      BSR          CandRpAdvTimeout
Configured RPs:
RP          Pri Timeout GroupPrefix      BSR          CandRpAdvTimeout
10.2.0.1   192      -1 226.0.0.0/8     0.0.0.0     46
```

*Part D:*

- The results until after the first Bootstrap message is received should be same as in Part A.
- After the second Bootstrap message is received, the BSR state and the Cand-RP set in the RUT should not be modified.

*Part E:*

- The results until after the BS Timer expires should be same as in Part C, except that the Bootstrap message is forwarded on LAN2 as well.
- After the RUT receives the second Bootstrap message, it should forward it on LAN1, and back on LAN2. Its BSR state machine should be in Accept Preferred state, and the elected BSR should be TR2. The BS Timer in the RUT should be set to BS\_Timeout (130 sec). The SZ Timer in the RUT should be set to SZ\_Timeout (1300 sec):

```
Xorp> show pim bootstrap
Active zones:
BSR          Pri LocalAddress      Pri State      Timeout SZTimeout
10.3.0.1     0 0.0.0.0          0 AcceptPreferred 127     1297
Expiring zones:
BSR          Pri LocalAddress      Pri State      Timeout SZTimeout
Configured zones:
BSR          Pri LocalAddress      Pri State      Timeout SZTimeout
0.0.0.0     0 0.0.0.0           0 Init        -1       -1
```

In addition, the RP-Set should contain TR2 as the RP for 226.0.0.0/8:

```
Xorp> show pim bootstrap rps
Active RPs:
RP          Pri Timeout GroupPrefix      BSR          CandRpAdvTimeout
10.3.0.1    192      146 226.0.0.0/8      10.3.0.1    -1
Expiring RPs:
RP          Pri Timeout GroupPrefix      BSR          CandRpAdvTimeout
Configured RPs:
RP          Pri Timeout GroupPrefix      BSR          CandRpAdvTimeout
10.2.0.1    192      -1 226.0.0.0/8      0.0.0.0     56
```

*Part F:*

- The results until after the BS Timer expires should be same as in Part C.
- After the SZ Timer in the RUT expires, the BSR state machine should be in No Info state:

```
Xorp> show pim bootstrap
Active zones:
BSR          Pri LocalAddress      Pri State      Timeout SZTimeout
Expiring zones:
BSR          Pri LocalAddress      Pri State      Timeout SZTimeout
Configured zones:
BSR          Pri LocalAddress      Pri State      Timeout SZTimeout
0.0.0.0      0 0.0.0.0            0 Init        -1      -1
```

In addition, the RP-Set should be empty:

```
Xorp> show pim bootstrap rps
Active RPs:
RP          Pri Timeout GroupPrefix      BSR          CandRpAdvTimeout
Expiring RPs:
RP          Pri Timeout GroupPrefix      BSR          CandRpAdvTimeout
Configured RPs:
RP          Pri Timeout GroupPrefix      BSR          CandRpAdvTimeout
10.2.0.1    192      -1 226.0.0.0/8      0.0.0.0     43
```

**Possible Problems:** In Part C and D, if the Cand-RP holdtime of TR1 is too short, TR1 may expire from the RP-Set before the BSR state machine of RUT transitions to Accept Any state, or before the RUT receives the second Bootstrap message.

## 6.3 Sending Candidate-RP-Advertisements

**Purpose:** Test the transmission of Candidate-RP-Advertisement messages (C-RP-Advs) by each Candidate-RP (C-RP) to the BSR for that scope zone.

**References:**

- draft-ietf-pim-sm-bsr-03 – Section 3.1

**Discussion:** Every C-RP periodically unicasts a C-RP-Adv to the BSR for that scope zone to inform the BSR of the C-RP's willingness to function as an RP. Unless configured otherwise, it does this for every Admin Scope zone for which it has state, and for the global scope zone.

**Test Setup:** Connect the RUT, TR1, TR2, TR3, and TR4 according to Figure 6.3. Enable PIM-SM on the RUT, TR1, TR2, TR3, and TR4. Configure TR1 as a Cand-BSR for non-scoped zone 224.0.0.0/4 with default BSR priority of 1, unless stated otherwise. Configure the RUT as a Candidate-RP for 226.0.0.0/8, Candidate-RP Priority of 192, and Holdtime of `C-RP_Timeout` (150 sec), unless stated otherwise.

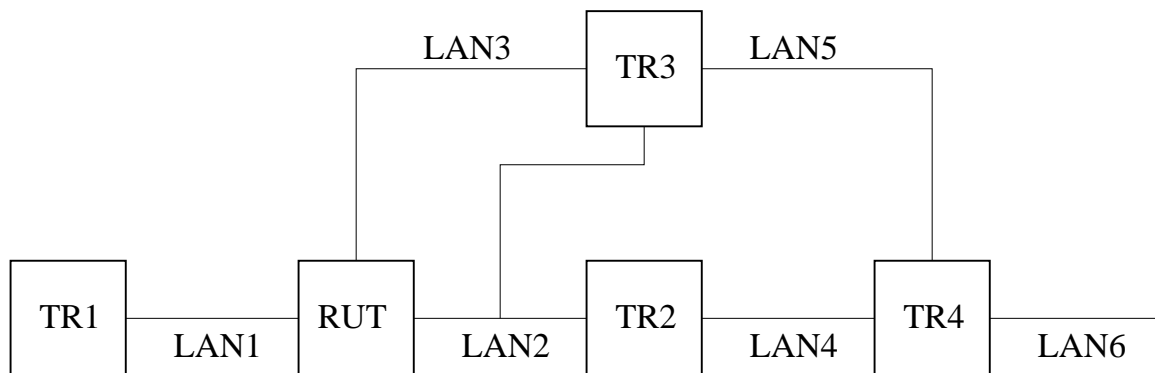


Figure 6.3: Sending Candidate-RP-Advertisements test setup

**Procedure:**

*Part A: Periodic transmission of C-RP-Advs.*

1. Start the RUT and TR1, and start observing the Cand-RP-Adv messages transmitted on LAN1.
2. Compose a Bootstrap message at TR1 with the BSR address set to TR1, BSR priority of 10, and send it on LAN1.
3. Continue observing the Cand-RP-Adv messages transmitted on LAN1 for  $2 * C-RP-Adv\_Period$  ( $2 * 60$  sec).

*Part B: Transmission of C-RP-Advs after the BSR changes.*

1. Start the RUT, TR1, and TR2, and start observing the Cand-RP-Adv messages transmitted on LAN1 and LAN2.
2. Compose a Bootstrap message at TR1 with the BSR address set to TR1, BSR priority of 10, and send it on LAN1.

3. Continue observing the Cand-RP-Adv messages transmitted on LAN1 and LAN2 for C-RP-Adv\_Period (60 sec).
4. Compose a Bootstrap message at TR2 with the BSR address set to TR2, BSR priority of 20, and send it on LAN2.
5. Continue observing the Cand-RP-Adv messages transmitted on LAN1 and LAN2 for 2 \* C-RP-Adv\_Period (2 \* 60 sec).
6. Stop TR1 and TR2.
7. Continue observing the Cand-RP-Adv messages transmitted on LAN1 and LAN2 for 2 \* C-RP-Adv\_Period (2 \* 60 sec).

*Part C: Transmission of C-RP-Advs when the router is a Zone Border Router.*

1. Configure the RUT such that it is a Zone Border Router for 226.0.0.0/8 on the interface that connects the RUT to LAN2.
2. Start the RUT and TR1, and start observing the Cand-RP-Adv messages transmitted on LAN1.
3. Compose a Bootstrap message at TR1 with the BSR address set to TR1, BSR priority of 10, and send it on LAN1.
4. Continue observing the Cand-RP-Adv messages transmitted on LAN1 and LAN2 for 2 \* C-RP-Adv\_Period (2 \* 60 sec).

*Part D: Transmission of C-RP-Advs when the router is gracefully shut down.*

1. Start the RUT and TR1, and start observing the Cand-RP-Adv messages transmitted on LAN1.
2. Compose a Bootstrap message at TR1 with the BSR address set to TR1, BSR priority of 10, and send it on LAN1.
3. Continue observing the Cand-RP-Adv messages transmitted on LAN1 for 2 \* C-RP-Adv\_Period (2 \* 60 sec).
4. Gracefully shut down the RUT.
5. Continue observing the Cand-RP-Adv messages transmitted on LAN1 for 2 \* C-RP-Adv\_Period (2 \* 60 sec).

**Observable Results:**

*Part A:*

- Right after the RUT receives the Bootstrap message, it should unicast a Cand-RP-Adv message to TR1. This message should have Prefix Count of 1, Priority of 192, Holdtime of C-RP\_Timeout (150 sec), RP address of the RUT address, and group prefix of 226.0.0.0/8. The Admin Scope Zone bit in the group prefix should not be set.
- After that, the RUT should periodically unicast to TR1 the same message, once every C-RP-Adv\_Period (60 sec).

*Part B:*

- Until before TR2 transmits the Bootstrap message on LAN2, the result should be same as in Part A.
- After TR2 transmits the Bootstrap message on LAN2, the RUT should immediately originate the same Cand-RP-Adv message as before, but it should be unicast to TR2 instead of TR1.
- After that, the RUT should periodically unicast to TR2 the same message, once every `C-RP-Adv_Period` (60 sec).
- After both TR1 and TR2 are shut down, then after up to `BS_Timeout` (130 sec), the BS Timer in the RUT should expire. After the BS Timer in the RUT timeout, the RUT should stop unicast Cand-RP-Adv messages.

*Part C:*

- The result should be same as in Part A, except that the Admin Scope Zone bit in the group prefix for 226.0.0.0/8 inside that message should be set to one.

*Part D:*

- Until before the RUT is shut down, the result should be same as in Part A.
- After the RUT is shut down, it should immediately unicast the same Cand-RP-Adv message to TR1, except that the Holdtime inside that message should be set to zero.

**Possible Problems:** In Part A, B, and C, the period of periodic transmission of the Cand-RP-Adv messages might be different from `C-RP-Adv_Period` (60 sec), though it must be smaller than `C-RP_Timeout` (150 sec).

## 6.4 Creating the RP-Set at the BSR

**Purpose:** Test that the BSR creates properly the RP-Set from the Candidate-RP-Advertisement messages (C-RP-Advs) it receives from the Candidate-RPs.

### References:

- draft-ietf-pim-sm-bsr-03 – Section 3.2

**Discussion:** Upon receiving a C-RP-Adv, if the router is the BSR, then it adds the RP address to its local pool of candidate RPs. The BSR uses the pool of C-RPs to construct the RP-Set which is included in the Bootstrap messages and sent to all the routers in the PIM domain.

**Test Setup:** Connect the RUT, TR1, TR2, TR3, and TR4 according to Figure 6.4. Enable PIM-SM on the RUT, TR1, TR2, TR3, and TR4. Configure the RUT as a Cand-BSR for non-scoped zone 224.0.0.0/4 with default BSR priority of 1, unless stated otherwise. Configure TR1 as a Candidate-RP for 226.0.0.0/8, Candidate-RP Priority of 192, and Holdtime of C-RP\_Timeout (150 sec), unless stated otherwise.

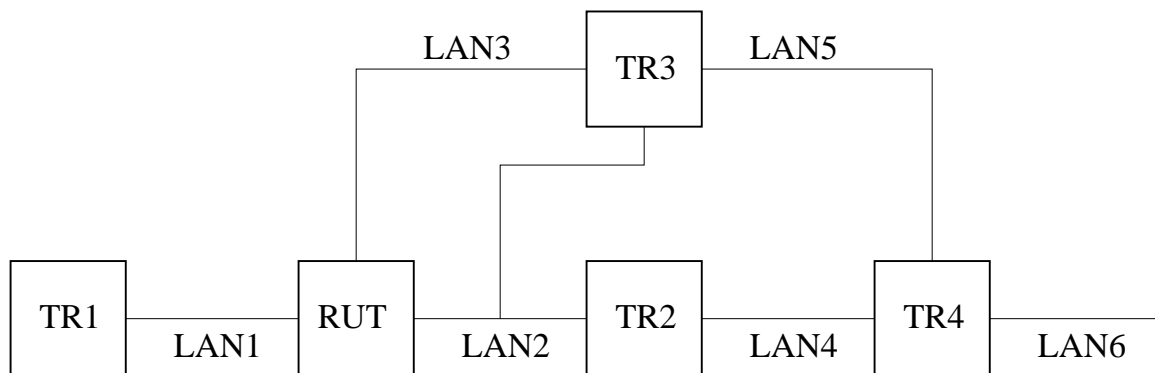


Figure 6.4: Creating the RP-Set at the BSR test setup

### Procedure:

*Part A: Receiving C-RP-Adv at non-BSR when the router is not a cand-BSR.*

1. Disable the Cand-BSR configuration in the RUT.
2. Start the RUT and TR1, and start observing the Bootstrap messages transmitted on LAN1.
3. Check the BSR and the Cand-RP state in the RUT, and the Bootstrap messages transmitted on LAN1.
4. Compose a Cand-RP-Adv message at TR1 composed of TR1 as a Candidate-RP for 226.0.0.0/8, Candidate-RP Priority of 192, and Holdtime of C-RP\_Timeout (150 sec), and unicast it to the RUT.
5. Check the BSR and the Cand-RP state in the RUT, and the Bootstrap messages transmitted on LAN1.
6. Compose a Bootstrap message at TR1 with the BSR address set to TR1, BSR priority of 10, and send it on LAN1.
7. Compose the same Cand-RP-Adv message at TR1 as before, and unicast it to the RUT.

8. Check the BSR and the Cand-RP state in the RUT, and the Bootstrap messages transmitted on LAN1.

*Part B: Receiving C-RP-Adv at non-BSR when the router is a cand-BSR.*

The setup is same as in Part A, except that the Cand-BSR configuration in the RUT is not disabled.

*Part C: Receiving C-RP-Adv at the BSR.*

1. Start the RUT and TR1, and start observing the Bootstrap messages transmitted on LAN1.
2. Wait for up to BS\_Timeout (130 sec) until the BS Timer in the RUT expires, and the RUT becomes the elected BSR.
3. Check the BSR and the Cand-RP state in the RUT, and the Bootstrap messages transmitted on LAN1.
4. Compose a Cand-RP-Adv message at TR1 composed of TR1 as a Candidate-RP for 226.0.0.0/8, Candidate-RP Priority of 192, and Holdtime of C-RP\_Timeout (150 sec), and unicast it to the RUT.
5. Check the Cand-RP state in the RUT, and the Bootstrap messages transmitted on LAN1.
6. Wait for up to BS\_Period (60 sec) until the BS Timer in the RUT expires, and the RUT transmits another Bootstrap message on LAN1.
7. Check the Cand-RP state in the RUT, and the Bootstrap messages transmitted on LAN1.
8. Compose a second Cand-RP-Adv message at TR1 composed of TR1 as a Candidate-RP for 226.0.0.0/8, Candidate-RP Priority of 192, and Holdtime of C-RP\_Timeout (150 sec), and unicast it to the RUT.
9. Check the Cand-RP state in the RUT, and the Bootstrap messages transmitted on LAN1.
10. Compose a third Cand-RP-Adv message at TR1 composed of TR1 as a Candidate-RP for 226.0.0.0/8, Candidate-RP Priority of 100, and Holdtime of C-RP\_Timeout (150 sec), and unicast it to the RUT.
11. Check the Cand-RP state in the RUT, and the Bootstrap messages transmitted on LAN1.
12. Compose a fourth Cand-RP-Adv message at TR1 composed of TR1 as a Candidate-RP for 226.0.0.0/8, Candidate-RP Priority of 100, and Holdtime of 0, and unicast it to the RUT.
13. Check the Cand-RP state in the RUT, and the Bootstrap messages transmitted on LAN1.
14. Compose a fifth Cand-RP-Adv message at TR1 composed of TR1 as a Candidate-RP for 226.0.0.0/8, Candidate-RP Priority of 192, and Holdtime of C-RP\_Timeout (150 sec), and unicast it to the RUT.
15. Check the Cand-RP state in the RUT, and the Bootstrap messages transmitted on LAN1.
16. Compose a sixth Cand-RP-Adv message at TR1 composed of TR1 as a Candidate-RP for 227.0.0.0/8, Candidate-RP Priority of 192, and Holdtime of C-RP\_Timeout (150 sec), and unicast it to the RUT.
17. Check the Cand-RP state in the RUT, and the Bootstrap messages transmitted on LAN1.

*Part D: Expiring C-RP at the BSR.*

1. Start the RUT and TR1, and start observing the Bootstrap messages transmitted on LAN1.

2. Wait for up to BS\_Timeout (130 sec) until the BS Timer in the RUT expires, and the RUT becomes the elected BSR.
3. Check the BSR and the Cand-RP state in the RUT, and the Bootstrap messages transmitted on LAN1.
4. Compose a Cand-RP-Adv message at TR1 composed of TR1 as a Candidate-RP for 226.0.0.0/8, Candidate-RP Priority of 192, and Holdtime of C-RP\_Timeout (150 sec), and unicast it to the RUT.
5. Check the Cand-RP state in the RUT, and the Bootstrap messages transmitted on LAN1.
6. Wait for up to C-RP\_Timeout (150 sec) until the Expiry Timer of TR1's Cand-RP state in the RUT expires.
7. Check the Cand-RP state in the RUT, and the Bootstrap messages transmitted on LAN1.
8. Continue observing the Bootstrap messages transmitted on LAN1 for at least BS\_Timeout (130 sec).

*Part E: Transmission of the RP-Set when the BSR is gracefully shut down.*

1. Start the RUT and TR1, and start observing the Bootstrap messages transmitted on LAN1.
2. Wait for up to BS\_Timeout (130 sec) until the BS Timer in the RUT expires, and the RUT becomes the elected BSR.
3. Check the BSR and the Cand-RP state in the RUT, and the Bootstrap messages transmitted on LAN1.
4. Compose a Cand-RP-Adv message at TR1 composed of TR1 as a Candidate-RP for 226.0.0.0/8, Candidate-RP Priority of 192, and Holdtime of C-RP\_Timeout (150 sec), and unicast it to the RUT.
5. Check the Cand-RP state in the RUT, and the Bootstrap messages transmitted on LAN1.
6. Gracefully shut down the RUT.
7. Check the BSR and the Cand-RP state in the RUT, and the Bootstrap messages transmitted on LAN1.

**Observable Results:**

*Part A:*

- Right after the RUT is started, its BSR state machine should be in No Info state:

```
Xorp> show pim bootstrap
Active zones:
BSR          Pri LocalAddress      Pri State          Timeout SZTimeout
Expiring zones:
BSR          Pri LocalAddress      Pri State          Timeout SZTimeout
Configured zones:
BSR          Pri LocalAddress      Pri State          Timeout SZTimeout
```



In addition, its RP-Set should be empty:

```
Xorp> show pim bootstrap rps
Active RPs:
RP          Pri Timeout GroupPrefix      BSR          CandRpAdvTimeout
Expiring RPs:
RP          Pri Timeout GroupPrefix      BSR          CandRpAdvTimeout
Configured RPs:
RP          Pri Timeout GroupPrefix      BSR          CandRpAdvTimeout
```

- When the RUT receives the first Cand-RP-Adv message, it should silently ignore it. In addition, its BSR state machine and its RP-Set should not change.
- After the RUT receives the Bootstrap message, it should forward it back on LAN1. Its BSR state machine should be in Accept Preferred state, and the elected BSR should be TR1. The BS Timer in the RUT should be set to BS\_Timeout (130 sec). The SZ Timer in the RUT should be set to SZ\_Timeout (1300 sec):

```
Xorp> show pim bootstrap
Active zones:
BSR          Pri LocalAddress      Pri State          Timeout SZTimeout
10.6.0.1     10 0.0.0.0           0 AcceptPreferred  129    1299
Expiring zones:
BSR          Pri LocalAddress      Pri State          Timeout SZTimeout
Configured zones:
BSR          Pri LocalAddress      Pri State          Timeout SZTimeout
```

However, the RP-Set should continue to be empty.

- When the RUT receives the second Cand-RP-Adv message, it should silently ignore it. In addition, its BSR state machine and its RP-Set should not change.

#### Part B:

- Right after the RUT is started, its BSR state machine should be in Pending state:

```
Xorp> show pim bootstrap
Active zones:
BSR          Pri LocalAddress      Pri State          Timeout SZTimeout
0.0.0.0      0 10.2.0.1           1 Pending          78     -1
Expiring zones:
BSR          Pri LocalAddress      Pri State          Timeout SZTimeout
Configured zones:
BSR          Pri LocalAddress      Pri State          Timeout SZTimeout
10.2.0.1     1 10.2.0.1           1 Init             -1     -1
```

In addition, its RP-Set should be empty:

```
Xorp> show pim bootstrap rps
Active RPs:
RP          Pri Timeout GroupPrefix      BSR          CandRpAdvTimeout
Expiring RPs:
RP          Pri Timeout GroupPrefix      BSR          CandRpAdvTimeout
Configured RPs:
RP          Pri Timeout GroupPrefix      BSR          CandRpAdvTimeout
```

- When the RUT receives the first Cand-RP-Adv message, it should silently ignore it. In addition, its BSR state machine and its RP-Set should not change.
- After the RUT receives the Bootstrap message, it should forward it back on LAN1. Its BSR state machine should be in Candidate state, and the elected BSR should be TR1. The BS Timer in the RUT should be set to BS\_Timeout (130 sec). The SZ Timer in the RUT should be set to SZ\_Timeout (1300 sec):

```
Xorp> show pim bootstrap
Active zones:
BSR          Pri LocalAddress      Pri State          Timeout SZTimeout
10.6.0.1     10 10.2.0.1          1 Candidate        128      -1
Expiring zones:
BSR          Pri LocalAddress      Pri State          Timeout SZTimeout
Configured zones:
BSR          Pri LocalAddress      Pri State          Timeout SZTimeout
10.2.0.1     1 10.2.0.1           1 Init             -1       -1
```

However, the RP-Set should continue to be empty.

- When the RUT receives the second Cand-RP-Adv message, it should silently ignore it. In addition, its BSR state machine and its RP-Set should not change.

*Part C:*

- Until before the first Cand-RP-Adv message is received by the RUT, the RUT should be the elected BSR:

```
Xorp> show pim bootstrap
Active zones:
BSR          Pri LocalAddress      Pri State          Timeout SZTimeout
10.2.0.1     1 10.2.0.1           1 Elected         59       -1
Expiring zones:
BSR          Pri LocalAddress      Pri State          Timeout SZTimeout
Configured zones:
BSR          Pri LocalAddress      Pri State          Timeout SZTimeout
10.2.0.1     1 10.2.0.1           1 Init             -1       -1
```

In addition, the RP-Set in the RUT should be empty:

```
Xorp> show pim bootstrap rps
Active RPs:
RP          Pri Timeout GroupPrefix      BSR          CandRpAdvTimeout
Expiring RPs:
RP          Pri Timeout GroupPrefix      BSR          CandRpAdvTimeout
Configured RPs:
RP          Pri Timeout GroupPrefix      BSR          CandRpAdvTimeout
```

- After the first Cand-RP-Adv message is received by the RUT, the RP-Set in the RUT should include an entry for TR1 as a C-RP for 226.0.0.0/8, C-RP priority of 192, and holdtime of C-RP\_Timeout (150 sec).

```
Xorp> show pim bootstrap rps
Active RPs:
RP          Pri Timeout GroupPrefix      BSR          CandRpAdvTimeout
10.6.0.1    192      149 226.0.0.0/8      10.2.0.1    -1
Expiring RPs:
RP          Pri Timeout GroupPrefix      BSR          CandRpAdvTimeout
Configured RPs:
RP          Pri Timeout GroupPrefix      BSR          CandRpAdvTimeout
```

In addition, the RUT should (TODO: immediately?) transmit a Bootstrap message on LAN1 that contains TR1 as a C-RP for 226.0.0.0/8, C-RP priority of 192, and holdtime of C-RP\_Timeout (150 sec).

- After the BS Timer in the RUT expires, and it transmits the second Bootstrap message on LAN1, the content of this message should be same as the previous Bootstrap message.
- After the second Cand-RP-Adv message is received by the RUT, the C-RP Expiry Timer for TR1 in the RUT should be updated and set to C-RP\_Timeout (150 sec). The rest of the information in the RP-Set should not be changed:

```
Xorp> show pim bootstrap rps
Active RPs:
RP          Pri Timeout GroupPrefix      BSR          CandRpAdvTimeout
10.6.0.1    192      149 226.0.0.0/8      10.2.0.1    -1
Expiring RPs:
RP          Pri Timeout GroupPrefix      BSR          CandRpAdvTimeout
Configured RPs:
RP          Pri Timeout GroupPrefix      BSR          CandRpAdvTimeout
```

However, no Bootstrap message should be transmitted.

- After the third Cand-RP-Adv message is received by the RUT, the RP-Set in the RUT should include an entry for TR1 as a C-RP for 226.0.0.0/8, C-RP priority of 100, and holdtime of C-RP\_Timeout (150 sec).

```
Xorp> show pim bootstrap rps
Active RPs:
RP          Pri Timeout GroupPrefix      BSR      CandRpAdvTimeout
10.6.0.1    100      144 226.0.0.0/8    10.2.0.1      -1
Expiring RPs:
RP          Pri Timeout GroupPrefix      BSR      CandRpAdvTimeout
Configured RPs:
RP          Pri Timeout GroupPrefix      BSR      CandRpAdvTimeout
```

In addition, the RUT should (TODO: immediately?) transmit a Bootstrap message on LAN1 that contains TR1 as a C-RP for 226.0.0.0/8, C-RP priority of 100, and holdtime of C-RP\_Timeout (150 sec).

- After the fourth Cand-RP-Adv message is received by the RUT, the RP-Set in the RUT should remove the entry for TR1 as a C-RP for 226.0.0.0/8:

```
Xorp> show pim bootstrap rps
Active RPs:
RP          Pri Timeout GroupPrefix      BSR      CandRpAdvTimeout
Expiring RPs:
RP          Pri Timeout GroupPrefix      BSR      CandRpAdvTimeout
Configured RPs:
RP          Pri Timeout GroupPrefix      BSR      CandRpAdvTimeout
```

In addition, the RUT should (TODO: immediately?) transmit a Bootstrap message on LAN1 that contains empty RP-Set for 226.0.0.0/8.

- After the fifth Cand-RP-Adv message is received by the RUT, the RP-Set in the RUT should include an entry for TR1 as a C-RP for 226.0.0.0/8, C-RP priority of 192, and holdtime of C-RP\_Timeout (150 sec).

```
Xorp> show pim bootstrap rps
Active RPs:
RP          Pri Timeout GroupPrefix      BSR      CandRpAdvTimeout
10.6.0.1    192      144 226.0.0.0/8    10.2.0.1      -1
Expiring RPs:
RP          Pri Timeout GroupPrefix      BSR      CandRpAdvTimeout
Configured RPs:
RP          Pri Timeout GroupPrefix      BSR      CandRpAdvTimeout
```

In addition, the RUT should (TODO: immediately?) transmit a Bootstrap message on LAN1 that contains TR1 as a C-RP for 226.0.0.0/8, C-RP priority of 192, and holdtime of C-RP\_Timeout (150 sec).

- After the sixth Cand-RP-Adv message is received by the RUT, the RP-Set in the RUT should include a second entry for TR1 as a C-RP for 227.0.0.0/8, C-RP priority of 192, and holdtime of C-RP\_Timeout (150 sec).

```

Xorp> show pim bootstrap rps
Active RPs:
RP          Pri Timeout GroupPrefix      BSR          CandRpAdvTimeout
10.6.0.1    192      130 226.0.0.0/8      10.2.0.1     -1
10.6.0.1    192      148 227.0.0.0/8      10.2.0.1     -1
Expiring RPs:
RP          Pri Timeout GroupPrefix      BSR          CandRpAdvTimeout
Configured RPs:
RP          Pri Timeout GroupPrefix      BSR          CandRpAdvTimeout

```

In addition, the RUT should (TODO: immediately?) transmit a Bootstrap message on LAN1 that contains TR1 as a C-RP for 226.0.0.0/8 and 227.0.0.0/8, C-RP priority of 192, and holdtime of C-RP\_Timeout (150 sec).

*Part D:*

- Until after the first Cand-RP-Adv message is received by the RUT, the results should be same as in Part C.
- Until before the Expiry Timer of TR1's Cand-RP state in the RUT expires, the RUT should periodically transmit once every BS\_Period (60 sec) a Bootstrap message on LAN1. The content of this message should be same as the previous Bootstrap message.
- After the Expiry Timer of TR1's Cand-RP state in the RUT expires, the RUT should periodically transmit once every BS\_Period 60 sec a Bootstrap message on LAN1. The content of this message should contain empty RP-Set for 226.0.0.0/8.
- After BS\_Timeout (130 sec) of periodic Bootstrap messages with empty RP-Set for 226.0.0.0/8, the RUT should start send periodic Bootstrap messages with empty RP-Set (*i.e.*, even the empty 226.0.0.0/8 should not be included anymore).

*Part E:*

- Until after the first Cand-RP-Adv message is received by the RUT, the results should be same as in Part C.
- After the RUT is shut down, it should transmit a Bootstrap message on LAN1 that should be same as the previous Bootstrap message, except that the BSR-priority is set to 0 instead of 1.

**Possible Problems:** In Part D, after TR1 is removed from the RP-Set, the RUT might transmit only one Bootstrap message with empty RP-Set for 226.0.0.0/8, and the rest of the Bootstrap messages may not include at all 226.0.0.0/8 in the RP-Set.

## 6.5 Forwarding Bootstrap Messages

**Purpose:** Test that the Bootstrap messages originated at the BSR are forwarded properly.

**References:**

- draft-ietf-pim-sm-bsr-03 – Section 3.3

**Discussion:** Bootstrap messages originated at the BSR are forwarded hop-by-hop by intermediate routers if they pass the Bootstrap Message Processing Check. When a Bootstrap message is forwarded, it is forwarded out on every multicast capable-interface except if the interface is an administrative scope boundary for the admin scope zone indicated in the first group address in the Bootstrap message packet.

**Test Setup:** Connect the RUT, TR1, TR2, TR3, and TR4 according to Figure 6.5. Enable PIM-SM on the RUT, TR1, TR2, TR3, and TR4. Do NOT configure any of the routers as a Cand-BSR or a Candidate-RP, unless stated otherwise. Configure the MRIB in the RUT such that TR2 is the next-hop router toward TR2's address of the interface that connects TR2 to LAN4.

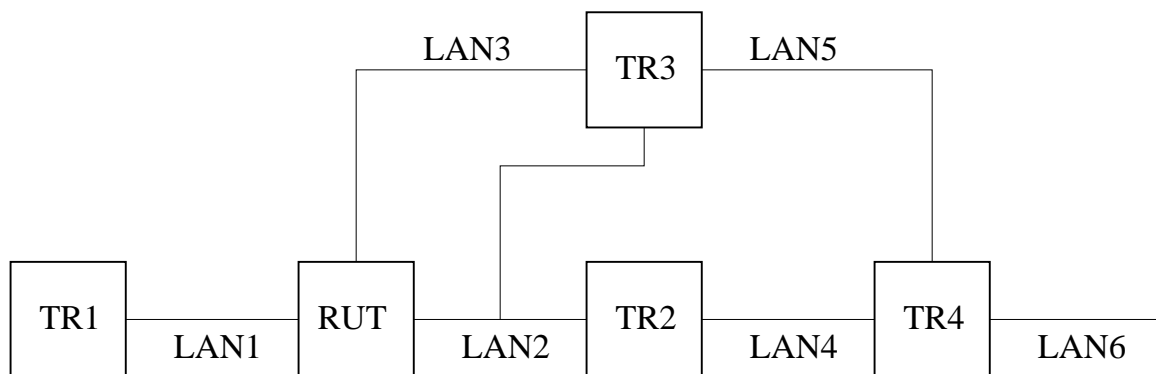


Figure 6.5: Forwarding Bootstrap messages test setup

**Procedure:**

*Part A: Forwarding Bootstrap messages and scope zone boundaries.*

1. Disable the interface that connects TR3 to LAN2.
2. Start the RUT, TR1, TR2, and TR3, and start observing the Bootstrap messages transmitted on LAN1, LAN2, and LAN3.
3. Compose a Bootstrap message at TR2 for scoped zone 226.0.0.0/8 with the BSR address set to the address of the interface that connects TR2 to LAN4, BSR priority of 1, Cand-RP set for 226.0.0.0/8 composed of the address of the interface that connects TR2 to LAN4, and send it on LAN2.
4. Observe the Bootstrap messages transmitted on LAN1, LAN2, and LAN3.
5. Configure the interface that connects the RUT to LAN3 as an administrative scope zone boundary for 226.0.0.0/8.
6. Compose the same Bootstrap message at TR2 as before, except that the Fragment Tag is different, and send it on LAN2.

7. Observe the Bootstrap messages transmitted on LAN1, LAN2, and LAN3.
8. Gracefully stop TR1.
9. Compose the same Bootstrap message at TR2 as before, except that the Fragment Tag is different, and send it on LAN2.
10. Observe the Bootstrap messages transmitted on LAN1, LAN2, and LAN3.

*Part B: Bootstrap message processing check.*

1. Start the RUT, TR1, TR2, and TR3, and start observing the Bootstrap messages transmitted on LAN1, LAN2, and LAN3.
2. Compose a Bootstrap message at TR2 for scoped zone 226.0.0.0/8 with the BSR address set to the address of the interface that connects TR2 to LAN4, BSR priority of 1, Cand-RP set for 226.0.0.0/8 composed of the address of the interface that connects TR2 to LAN4, and send it on LAN2. However, the source address of that message should be set to the address of the interface that connects TR2 to LAN4.
3. Observe the Bootstrap messages transmitted on LAN1, LAN2, and LAN3.
4. Gracefully stop TR2.
5. Compose a Bootstrap message at TR3 for scoped zone 226.0.0.0/8 with the BSR address set to the address of the interface that connects TR2 to LAN4, BSR priority of 1, Cand-RP set for 226.0.0.0/8 composed of the address of the interface that connects TR2 to LAN4, and send it on LAN2. However, the source address of that message should be set to the address of the interface that connects TR2 to LAN2.
6. Observe the Bootstrap messages transmitted on LAN1, LAN2, and LAN3.
7. Start TR2.
8. Compose a Bootstrap message at TR3 for scoped zone 226.0.0.0/8 with the BSR address set to the address of the interface that connects TR2 to LAN4, BSR priority of 1, Cand-RP set for 226.0.0.0/8 composed of the address of the interface that connects TR2 to LAN4, and send it on LAN2.
9. Observe the Bootstrap messages transmitted on LAN1, LAN2, and LAN3.
10. Configure the interface that connects the RUT to LAN2 as an administrative scope zone boundary for 226.0.0.0/8.
11. Gracefully stop TR3.
12. Compose a Bootstrap message at TR2 for scoped zone 226.0.0.0/8 with the BSR address set to the address of the interface that connects TR2 to LAN4, BSR priority of 1, Cand-RP set for 226.0.0.0/8 composed of the address of the interface that connects TR2 to LAN4, and send it on LAN2.
13. Observe the Bootstrap messages transmitted on LAN1, LAN2, and LAN3.
14. Remove the configuration for the administration scope zone boundary for 226.0.0.0/8 for the interface that connects the RUT to LAN2.

15. Start TR3.
16. Compose the same Bootstrap message at TR2 as before, except that the Fragment Tag is different, and send it on LAN2.
17. Observe the Bootstrap messages transmitted on LAN1, LAN2, and LAN3.
18. Compose the same Bootstrap message at TR2 as before, except that the Fragment Tag is different, and unicast it to the RUT.
19. Observe the Bootstrap messages transmitted on LAN1, LAN2, and LAN3.

**Observable Results:**

*Part A:*

- After the RUT receives the first Bootstrap message, it should forward it on LAN1, LAN2, and LAN3.
- After the RUT receives the second Bootstrap message, it should forward it on LAN1 and LAN2.
- After the RUT receives the third Bootstrap message, it should forward it on LAN2.

*Part B:*

- After the RUT receives the first Bootstrap message, it should silently ignore it.
- After the RUT receives the second Bootstrap message, it should silently ignore it.
- After the RUT receives the third Bootstrap message, it should silently ignore it.
- After the RUT receives the fourth Bootstrap message, it should silently ignore it.
- After the RUT receives the fifth Bootstrap message, it should forward it on LAN1 and LAN2.
- After the RUT receives the sixth Bootstrap message, it should silently ignore it.

**Possible Problems:** None.



## 6.6 Receiving and Using the RP-Set

**Purpose:** Test that a router properly receives, stores, and uses a new RP-Set.

**References:**

- draft-ietf-pim-sm-bsr-03 – Section 3.4

**Discussion:** When a router receives a new RP-Set in a Bootstrap message, it must update properly its state. If the received RP-Set contains a new RP, the router must add that RP to its own copy of the RP-Set. If an RP is not in the new RP-Set, that RP is considered unreachable. After the router stores the new RP-Set, it must recompute the RP for all existing (\*,G) and (S,G,rpt) entries that might be affected (*i.e.*, for all groups that are covered by group prefixes for which an RP was added or deleted).

**Test Setup:** Connect the RUT, TR1, TR2, TR3, and TR4 according to Figure 6.6. Enable PIM-SM on the RUT, TR1, TR2, TR3, and TR4. Do NOT configure any of the routers as a Cand-BSR or a Candidate-RP, unless stated otherwise. Configure the MRIB in the RUT such that TR2 is the next-hop router toward TR2's address of the interface that connects TR2 to LAN4.

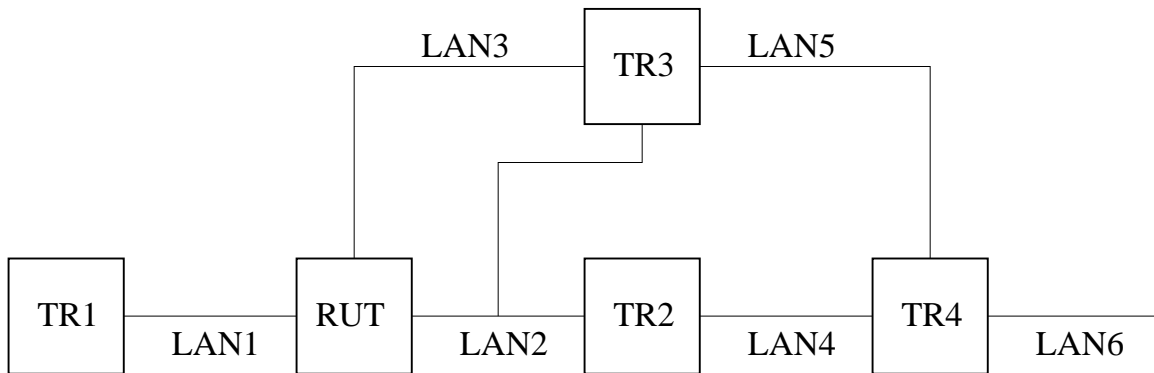


Figure 6.6: Receiving and using the RP-Set test setup

**Procedure:**

*Part A: Receiving and using the RP-Set.*

1. Start the RUT, TR1, TR2, and TR3.
2. Start observing the RP-Set, and the (\*,G) and (S,G,rpt) state in the RUT.
3. Compose a Bootstrap message at TR2 with the BSR address set to the address of the interface that connects TR2 to LAN4, BSR priority of 1, Cand-RP set for 224.0.0.0/4 composed of:
  - The address of the interface that connects TR2 to LAN4, Candidate-RP Priority of 192, and Holdtime of C-RP\_Timeout (150 sec)

Send the Bootstrap message on LAN2.

4. Check the RP-Set in the RUT.

5. Compose an (\*,G) Join message at TR1 with the RP address set to the address of the interface that connects TR2 to LAN4, and send it to the RUT. The `J/P_HoldTime` of the message should be set to its default value (210).
6. Compose an (S,G,rpt) Prune message at TR1 with the source address set to the address of the interface that connects TR2 to LAN4, and send it to the RUT. The `J/P_HoldTime` of the message should be set to its default value (210).
7. Check the (\*,G) and (S,G,rpt) state in the RUT.
8. Compose a Bootstrap message at TR2 with the BSR address set to the address of the interface that connects TR2 to LAN4, BSR priority of 1, Cand-RP set for 224.0.0.0/4 composed of:
  - The address of the interface that connects TR2 to LAN4, Candidate-RP Priority of 192, and Holdtime of `C-RP_Timeout` (150 sec)
  - The address of the interface that connects TR3 to LAN3, Candidate-RP Priority of 100, and Holdtime of `C-RP_Timeout` (150 sec)

The Fragment Tag of the message should be different from the previous Bootstrap message. Send the Bootstrap message on LAN2.

9. Check the RP-Set, and the (\*,G) and (S,G,rpt) state in the RUT.
10. Compose a Bootstrap message at TR2 with the BSR address set to the address of the interface that connects TR2 to LAN4, BSR priority of 1, Cand-RP set for 224.0.0.0/4 composed of:
  - The address of the interface that connects TR2 to LAN4, Candidate-RP Priority of 192, and Holdtime of `C-RP_Timeout` (150 sec)

The Fragment Tag of the message should be different from the previous Bootstrap messages. Send the Bootstrap message on LAN2.

11. Check the RP-Set, and the (\*,G) and (S,G,rpt) state in the RUT.
12. Compose a Bootstrap message at TR2 with the BSR address set to the address of the interface that connects TR2 to LAN4, BSR priority of 1, Cand-RP set for 224.0.0.0/4 that has no Candidate RPs. The Fragment Tag of the message should be different from the previous Bootstrap messages. Send the Bootstrap message on LAN2.
13. Check the RP-Set, and the (\*,G) and (S,G,rpt) state in the RUT.

## Observable Results:

### Part A:

- After the RUT is started, the RP-Set in the RUT should be empty:

```
Xorp> show pim rps
RP                Type          Pri Holdtime Timeout ActiveGroups GroupPrefix
```

- After the RUT receives the first Bootstrap message, the RP-Set in the RUT should contain TR2 only:

```
Xorp> show pim rps
RP                Type          Pri Holdtime Timeout ActiveGroups GroupPrefix
10.3.0.1          bootstrap 192      150      149              0 224.0.0.0/4
```

- After the RUT receives the (S,G,rpt) Prune message, it should contain (\*,G) and (S,G,rpt) routing entries. The RP address for both entries should be set to TR2:

```
Xorp> show pim join
Group            Source          RP              Flags
224.0.1.20      0.0.0.0        10.3.0.1       WC
  Upstream interface (RP):  dc1
  Upstream MRIB next hop (RP): 10.2.0.2
  Upstream RPF'(*,G):        10.2.0.2
  Upstream state:           Joined
  Join timer:                53
  Local receiver include WC: .....
  Joins RP:                  .....
  Joins WC:                   .....0.....
  Join state:                 .....0.....
  Prune state:                .....
  Prune pending state:       .....
  I am assert winner state:  .....
  I am assert loser state:   .....
  Assert winner WC:          .....
  Assert lost WC:            .....
  Assert tracking WC:        .....0..0.....
  Could assert WC:           .....0.....
  I am DR:                   .....0.....
  Immediate olist RP:        .....
  Immediate olist WC:         .....0.....
  Inherited olist SG:        .....
  Inherited olist SG_RPT:    .....
  PIM include WC:            .....
224.0.1.20      10.3.0.1      10.3.0.1       SG_RPT
  Upstream interface (S):    dc1
  Upstream interface (RP):   dc1
  Upstream MRIB next hop (RP): 10.2.0.2
  Upstream RPF'(S,G,rpt):    10.2.0.2
  Upstream state:           Pruned
  Override timer:           -1
  Local receiver include WC: .....
  Joins RP:                  .....
  Joins WC:                   .....0.....
  Prunes SG_RPT:            .....0.....
  Join state:                 .....
  Prune state:                .....0.....
  Prune pending state:       .....
```

```

Prune tmp state: .....
Prune pending tmp state: .....
Assert winner WC: .....
Assert lost WC: .....
Assert lost SG_RPT: .....
Could assert WC: .....O.....
Could assert SG: .....
I am DR: .....O.....
Immediate olist RP: .....
Immediate olist WC: .....O.....
Inherited olist SG: .....
Inherited olist SG_RPT: .....
PIM include WC: .....

```

- After the RUT receives the second Bootstrap message, the RP-Set in the RUT should contain TR2 and TR3:

```
Xorp> show pim rps
```

RP	Type	Pri	Holdtime	Timeout	ActiveGroups	GroupPrefix
10.3.0.1	bootstrap	192	150	146	0	224.0.0.0/4
10.8.0.2	bootstrap	100	150	146	1	224.0.0.0/4

In addition, the RP address for the (\*,G) and (S,G,rpt) entries should be set to TR3:

```
Xorp> show pim join
```

Group	Source	RP	Flags
224.0.1.20	0.0.0.0	10.8.0.2	WC

```

Upstream interface (RP): dc2
Upstream MRIB next hop (RP): 10.8.0.2
Upstream RPF' (*,G): 10.8.0.2
Upstream state: Joined
Join timer: 54
Local receiver include WC: .....
Joins RP: .....
Joins WC: .....O.....
Join state: .....O.....
Prune state: .....
Prune pending state: .....
I am assert winner state: .....
I am assert loser state: .....
Assert winner WC: .....
Assert lost WC: .....
Assert tracking WC: .....O.O.....
Could assert WC: .....O.....
I am DR: .....O.....
Immediate olist RP: .....
Immediate olist WC: .....O.....

```

```

    Inherited olist SG: .....
    Inherited olist SG_RPT: .....
    PIM include WC: .....
224.0.1.20    10.3.0.1    10.8.0.2    SG_RPT
    Upstream interface (S): dc1
    Upstream interface (RP): dc2
    Upstream MRIB next hop (RP): 10.8.0.2
    Upstream RPF'(S,G,rpt): 10.8.0.2
    Upstream state: Pruned
    Override timer: -1
    Local receiver include WC: .....
    Joins RP: .....
    Joins WC: .....O.....
    Prunes SG_RPT: .....O.....
    Join state: .....
    Prune state: .....O.....
    Prune pending state: .....
    Prune tmp state: .....
    Prune pending tmp state: .....
    Assert winner WC: .....
    Assert lost WC: .....
    Assert lost SG_RPT: .....
    Could assert WC: .....O.....
    Could assert SG: .....
    I am DR: .....O.....
    Immediate olist RP: .....
    Immediate olist WC: .....O.....
    Inherited olist SG: .....
    Inherited olist SG_RPT: .....
    PIM include WC: .....

```

- After the RUT receives the third Bootstrap message, the RP-Set in the RUT should contain TR2 only:

```

Xorp> show pim rps
RP          Type      Pri Holdtime Timeout ActiveGroups GroupPrefix
10.3.0.1    bootstrap 192    150    147          1 224.0.0.0/4

```

In addition, the RP address for the (\*,G) and (S,G,rpt) entries should be set to TR2:

```

Xorp> show pim join
Group      Source      RP          Flags
224.0.1.20 0.0.0.0     10.3.0.1   WC
    Upstream interface (RP): dc1
    Upstream MRIB next hop (RP): 10.2.0.2
    Upstream RPF'(*,G): 10.2.0.2
    Upstream state: Joined
    Join timer: 57

```

```

Local receiver include WC: .....
Joins RP: .....
Joins WC: .....O.....
Join state: .....O.....
Prune state: .....
Prune pending state: .....
I am assert winner state: .....
I am assert loser state: .....
Assert winner WC: .....
Assert lost WC: .....
Assert tracking WC: .....O..O.....
Could assert WC: .....O.....
I am DR: .....O.....
Immediate olist RP: .....
Immediate olist WC: .....O.....
Inherited olist SG: .....
Inherited olist SG_RPT: .....
PIM include WC: .....
224.0.1.20      10.3.0.1      10.3.0.1      SG_RPT
Upstream interface (S):  dc1
Upstream interface (RP): dc1
Upstream MRIB next hop (RP): 10.2.0.2
Upstream RPF'(S,G,rpt):  10.2.0.2
Upstream state:          Pruned
Override timer:          -1
Local receiver include WC: .....
Joins RP: .....
Joins WC: .....O.....
Prunes SG_RPT: .....O.....
Join state: .....
Prune state: .....O.....
Prune pending state: .....
Prune tmp state: .....
Prune pending tmp state: .....
Assert winner WC: .....
Assert lost WC: .....
Assert lost SG_RPT: .....
Could assert WC: .....O.....
Could assert SG: .....
I am DR: .....O.....
Immediate olist RP: .....
Immediate olist WC: .....O.....
Inherited olist SG: .....
Inherited olist SG_RPT: .....
PIM include WC: .....

```

- After the RUT receives the fourth Bootstrap message, the RP-Set in the RUT should be empty:

```
Xorp> show pim rps
RP                Type          Pri Holdtime Timeout ActiveGroups GroupPrefix
```

In addition, the RP address for the (\*,G) and (S,G,rpt) entries should be set to UNKNOWN:

```
Xorp> show pim join
Group            Source          RP              Flags
224.0.1.20      0.0.0.0        RP_ADDR_UNKNOWN WC
  Upstream interface (RP): UNKNOWN
  Upstream MRIB next hop (RP): UNKNOWN
  Upstream RPF' (*,G): UNKNOWN
  Upstream state: Joined
  Join timer: 51
  Local receiver include WC: .....
  Joins RP: .....
  Joins WC: .....O.....
  Join state: .....O.....
  Prune state: .....
  Prune pending state: .....
  I am assert winner state: .....
  I am assert loser state: .....
  Assert winner WC: .....
  Assert lost WC: .....
  Assert tracking WC: .....O.....
  Could assert WC: .....O.....
  I am DR: .....O.....
  Immediate olist RP: .....
  Immediate olist WC: .....O.....
  Inherited olist SG: .....
  Inherited olist SG_RPT: .....
  PIM include WC: .....
224.0.1.20      10.3.0.1      RP_ADDR_UNKNOWN SG_RPT
  Upstream interface (S): dcl
  Upstream interface (RP): UNKNOWN
  Upstream MRIB next hop (RP): UNKNOWN
  Upstream RPF' (S,G,rpt): UNKNOWN
  Upstream state: Pruned
  Override timer: -1
  Local receiver include WC: .....
  Joins RP: .....
  Joins WC: .....O.....
  Prunes SG_RPT: .....O.....
  Join state: .....
  Prune state: .....O.....
  Prune pending state: .....
  Prune tmp state: .....
  Prune pending tmp state: .....
```

Assert winner WC: .....  
Assert lost WC: .....  
Assert lost SG\_RPT: .....  
Could assert WC: .....O.....  
Could assert SG: .....  
I am DR: .....O.....  
Immediate olist RP: .....  
Immediate olist WC: .....O.....  
Inherited olist SG: .....  
Inherited olist SG\_RPT: .....  
PIM include WC: .....

**Possible Problems:** None.



## 6.7 Semantic Fragmentation of BSMs

**Purpose:** Test that a router properly receives and assembles Bootstrap messages that use semantic fragmentation.

**References:**

- draft-ietf-pim-sm-bsr-03 – Section 4.1.1

**Discussion:** Bootstrap messages may be split over several PIM Bootstrap Message Fragment (BSMF) packets by using semantic fragmentation.. There are two reasons for that: (a) the BSM would exceed the link MTU the packet will be forwarded over; and (b) the BSM includes information about more than one admin scope zone. A router that receives BSMFs should store them and should assemble them as more fragments are received.

**Test Setup:** Connect the RUT, TR1, TR2, TR3, and TR4 according to Figure 6.7. Enable PIM-SM on the RUT, TR1, TR2, TR3, and TR4. Do NOT configure any of the routers as a Cand-BSR or a Candidate-RP, unless stated otherwise. Configure the MRIB in the RUT such that TR2 is the next-hop router toward TR2's address of the interface that connects TR2 to LAN4.

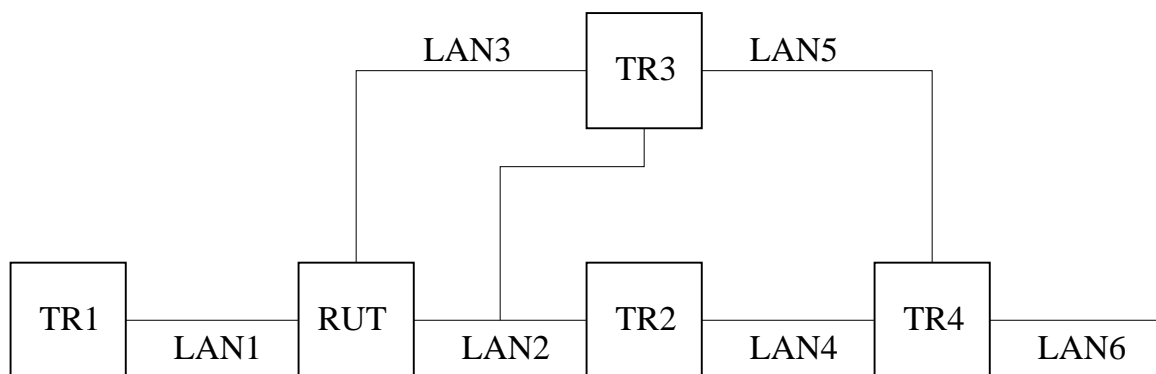


Figure 6.7: Semantic fragmentation of BSMs test setup

**Procedure:**

In all scenarios, the Bootstrap message uses the following values, unless stated otherwise:

- BSR address set to TR2
- BSR priority set to 1
- Candidate-RP Priority set to 192
- Candidate-RP Holdtime set to C-RP\_Timeout (150 sec)

*Part A: Split up different group prefixes in different fragments.*

1. Start the RUT, TR1, and TR2.
2. Start observing the BSR and the Cand-RP state, and the RP-Set in the RUT.

3. Compose a Bootstrap message at TR2 with Cand-RP set composed of:

- Fragment Tag = 1000.
- Group address 1 = 224.1.0.0/16 (non-scoped), RP Count = 1, Frag RP Count = 1, RP Address 1 = TR1.

Send the Bootstrap message on LAN2.

4. Check BSR and the Cand-RP state, and the RP-Set in the RUT.

5. Compose a Bootstrap message at TR2 with Cand-RP set composed of:

- Fragment Tag = 1000.
- Group address 1 = 224.2.0.0/16 (non-scoped), RP Count = 1, Frag RP Count = 1, RP Address 1 = TR2.

Send the Bootstrap message on LAN2.

6. Check BSR and the Cand-RP state, and the RP-Set in the RUT.

7. Compose a Bootstrap message at TR2 with Cand-RP set composed of:

- Fragment Tag = 2000.
- Group address 1 = 224.1.0.0/16 (non-scoped), RP Count = 2, Frag RP Count = 1, RP Address 1 = TR3.

Send the Bootstrap message on LAN2.

8. Check BSR and the Cand-RP state, and the RP-Set in the RUT.

9. Compose a Bootstrap message at TR2 with Cand-RP set composed of:

- Fragment Tag = 2000.
- Group address 1 = 224.1.0.0/16 (non-scoped), RP Count = 2, Frag RP Count = 1, RP Address 1 = TR2.

Send the Bootstrap message on LAN2.

10. Check BSR and the Cand-RP state, and the RP-Set in the RUT.

*Part B: Receiving fragments for the global, non-scoped zone.*

1. Start the RUT, TR1, and TR2.

2. Start observing the BSR and the Cand-RP state, and the RP-Set in the RUT.

3. Compose a Bootstrap message at TR2 with Cand-RP set composed of:

- Fragment Tag = 1000.
- Group address 1 = 224.0.0.0/4 (non-scoped), RP Count = 2, Frag RP Count = 1, RP Address 1 = TR1.

Send the Bootstrap message on LAN2.

4. Check BSR and the Cand-RP state, and the RP-Set in the RUT.
5. Compose a Bootstrap message at TR2 with Cand-RP set composed of:
  - Fragment Tag = 1000.
  - Group address 1 = 224.0.0.0/4 (non-scoped), RP Count = 2, Frag RP Count = 1, RP Address 1 = TR2.

Send the Bootstrap message on LAN2.

6. Check BSR and the Cand-RP state, and the RP-Set in the RUT.

*Part C: Receiving fragments for a scoped zone.*

The setup is same as in Part B, except that the RP-Set is for Group address 1 = 226.0.0.0/8 (scoped).

*Part D: Replacing the RP-Set for a group prefix.*

1. Start the RUT, TR1, and TR2.
2. Start observing the BSR and the Cand-RP state, and the RP-Set in the RUT.
3. Compose a Bootstrap message at TR2 with Cand-RP set composed of:
  - Fragment Tag = 1000.
  - Group address 1 = 224.1.0.0/16 (non-scoped), RP Count = 1, Frag RP Count = 1, RP Address 1 = TR1.

Send the Bootstrap message on LAN2.

4. Compose a Bootstrap message at TR2 with Cand-RP set composed of:
  - Fragment Tag = 2000.
  - Group address 1 = 224.1.0.0/16 (non-scoped), RP Count = 2, Frag RP Count = 1, RP Address 1 = TR2.

Send the Bootstrap message on LAN2.

5. Check BSR and the Cand-RP state, and the RP-Set in the RUT.
6. Compose a Bootstrap message at TR2 with Cand-RP set composed of:
  - Fragment Tag = 2000.
  - Group address 1 = 224.1.0.0/16 (non-scoped), RP Count = 2, Frag RP Count = 1, RP Address 1 = TR3.

Send the Bootstrap message on LAN2.

7. Check BSR and the Cand-RP state, and the RP-Set in the RUT.

*Part E: Expiring a group prefix from the RP-Set.*

1. Start the RUT, TR1, and TR2.
2. Start observing the BSR and the Cand-RP state, and the RP-Set in the RUT.
3. Compose a Bootstrap message at TR2 with Cand-RP set composed of:
  - Fragment Tag = 1000.
  - Group address 1 = 224.1.1.0/24 (non-scoped), RP Count = 1, Frag RP Count = 1, RP Address 1 = TR1.

Send the Bootstrap message on LAN2.

4. Compose a Bootstrap message at TR2 with Cand-RP set composed of:
  - Fragment Tag = 2000.
  - Group address 1 = 224.1.0.0/16 (non-scoped), RP Count = 2, Frag RP Count = 1, RP Address 1 = TR2.

Send the Bootstrap message on LAN2.

5. Check BSR and the Cand-RP state, and the RP-Set in the RUT.
6. Compose a Bootstrap message at TR2 with Cand-RP set composed of:
  - Fragment Tag = 2000.
  - Group address 1 = 224.1.0.0/16 (non-scoped), RP Count = 2, Frag RP Count = 1, RP Address 1 = TR3.

Send the Bootstrap message on LAN2.

7. Check BSR and the Cand-RP state, and the RP-Set in the RUT.
8. Continue observing the BSR and the Cand-RP state, and the RP-Set in the RUT for up to `BS_Timeout` (130 sec).

*Part F: Removing a group prefix from the RP-Set.*

1. Start the RUT, TR1, and TR2.
2. Start observing the BSR and the Cand-RP state, and the RP-Set in the RUT.
3. Compose a Bootstrap message at TR2 with Cand-RP set composed of:
  - Fragment Tag = 1000.
  - Group address 1 = 224.1.1.0/24 (non-scoped), RP Count = 1, Frag RP Count = 1, RP Address 1 = TR1.

Send the Bootstrap message on LAN2.

4. Compose a Bootstrap message at TR2 with Cand-RP set composed of:
  - Fragment Tag = 2000.
  - Group address 1 = 224.1.0.0/16 (non-scoped), RP Count = 2, Frag RP Count = 1, RP Address 1 = TR2.

Send the Bootstrap message on LAN2.

5. Check BSR and the Cand-RP state, and the RP-Set in the RUT.

6. Compose a Bootstrap message at TR2 with Cand-RP set composed of:

- Fragment Tag = 2000.
- Group address 1 = 224.1.0.0/16 (non-scoped), RP Count = 2, Frag RP Count = 1, RP Address 1 = TR3.

Send the Bootstrap message on LAN2.

7. Check BSR and the Cand-RP state, and the RP-Set in the RUT.

8. Compose a Bootstrap message at TR2 with Cand-RP set composed of:

- Fragment Tag = 2000.
- Group address 1 = 224.1.1.0/24 (non-scoped), RP Count = 0, Frag RP Count = 0.

Send the Bootstrap message on LAN2.

9. Continue observing the BSR and the Cand-RP state, and the RP-Set in the RUT for up to BS\_Timeout (130 sec).

## Observable Results:

### Part A:

- After the RUT is started, the BSR state and the Cand-RP state for the (non-scoped) 224.0.0.0/4 zone, and the RP-Set in the RUT should be empty:

```
Xorp> show pim bootstrap 224.0.0.0/4
Active zones:
BSR          Pri LocalAddress      Pri State      Timeout SZTimeout
Expiring zones:
BSR          Pri LocalAddress      Pri State      Timeout SZTimeout
Configured zones:
BSR          Pri LocalAddress      Pri State      Timeout SZTimeout
Xorp> show pim bootstrap rps 224.0.0.0/4
Active RPs:
RP           Pri Timeout GroupPrefix      BSR      CandRpAdvTimeout
Expiring RPs:
RP           Pri Timeout GroupPrefix      BSR      CandRpAdvTimeout
```

Configured RPs:

RP	Pri	Timeout	GroupPrefix	BSR	CandRpAdvTimeout
----	-----	---------	-------------	-----	------------------

Xorp> show pim rps

RP	Type	Pri	Holdtime	Timeout	ActiveGroups	GroupPrefix
----	------	-----	----------	---------	--------------	-------------

- After the RUT receives the first Bootstrap message, the BSR state for the (non-scoped) 224.0.0.0/4 zone should contain an active zone entry with TR2 as the BSR:

Xorp> show pim bootstrap 224.0.0.0/4

Active zones:

BSR	Pri	LocalAddress	Pri	State	Timeout	SZTimeout
10.3.0.1	1	0.0.0.0	0	AcceptPreferred	123	1293

Expiring zones:

BSR	Pri	LocalAddress	Pri	State	Timeout	SZTimeout
-----	-----	--------------	-----	-------	---------	-----------

Configured zones:

BSR	Pri	LocalAddress	Pri	State	Timeout	SZTimeout
-----	-----	--------------	-----	-------	---------	-----------

The Cand-RP state for the (non-scoped) 224.0.0.0/4 zone should contain TR1 for group prefix 224.1.0.0/16:

Xorp> show pim bootstrap rps 224.0.0.0/4

Active RPs:

RP	Pri	Timeout	GroupPrefix	BSR	CandRpAdvTimeout
10.6.0.1	192	139	224.1.0.0/16	10.3.0.1	-1

Expiring RPs:

RP	Pri	Timeout	GroupPrefix	BSR	CandRpAdvTimeout
----	-----	---------	-------------	-----	------------------

Configured RPs:

RP	Pri	Timeout	GroupPrefix	BSR	CandRpAdvTimeout
----	-----	---------	-------------	-----	------------------

The RP-Set should contain TR1:

Xorp> show pim rps

RP	Type	Pri	Holdtime	Timeout	ActiveGroups	GroupPrefix
10.6.0.1	bootstrap	192	150	136	0	224.1.0.0/16

- After the RUT receives the second Bootstrap message, the BSR state for the (non-scoped) 224.0.0.0/4 zone should contain an active zone entry with TR2 as the BSR:

Xorp> show pim bootstrap 224.0.0.0/4

Active zones:

BSR	Pri	LocalAddress	Pri	State	Timeout	SZTimeout
10.3.0.1	1	0.0.0.0	0	AcceptPreferred	127	1297

Expiring zones:

BSR	Pri	LocalAddress	Pri	State	Timeout	SZTimeout
-----	-----	--------------	-----	-------	---------	-----------

Configured zones:

BSR	Pri	LocalAddress	Pri	State	Timeout	SZTimeout
-----	-----	--------------	-----	-------	---------	-----------

The Cand-RP state for the (non-scoped) 224.0.0.0/4 zone should contain TR1 for group prefix 224.1.0.0/16, and TR2 for group prefix 224.2.0.0/16:

```
Xorp> show pim bootstrap rps 224.0.0.0/4
Active RPs:
RP                Pri Timeout GroupPrefix      BSR          CandRpAdvTimeout
10.6.0.1          192     121 224.1.0.0/16      10.3.0.1     -1
10.3.0.1          192     146 224.2.0.0/16      10.3.0.1     -1
Expiring RPs:
RP                Pri Timeout GroupPrefix      BSR          CandRpAdvTimeout
Configured RPs:
RP                Pri Timeout GroupPrefix      BSR          CandRpAdvTimeout
```

The RP-Set should contain TR1 and TR2:

```
Xorp> show pim rps
RP                Type      Pri Holdtime Timeout ActiveGroups GroupPrefix
10.6.0.1          bootstrap 192     150     119         0 224.1.0.0/16
10.3.0.1          bootstrap 192     150     145         0 224.2.0.0/16
```

*Part B:*

- After the RUT is started, the BSR state and the Cand-RP state for the (non-scoped) 224.0.0.0/4 zone, and the RP-Set in the RUT should be empty:

```
Xorp> show pim bootstrap 224.0.0.0/4
Active zones:
BSR                Pri LocalAddress      Pri State      Timeout SZTimeout
Expiring zones:
BSR                Pri LocalAddress      Pri State      Timeout SZTimeout
Configured zones:
BSR                Pri LocalAddress      Pri State      Timeout SZTimeout
Xorp> show pim bootstrap rps 224.0.0.0/4
Active RPs:
RP                Pri Timeout GroupPrefix      BSR          CandRpAdvTimeout
Expiring RPs:
RP                Pri Timeout GroupPrefix      BSR          CandRpAdvTimeout
Configured RPs:
RP                Pri Timeout GroupPrefix      BSR          CandRpAdvTimeout
Xorp> show pim rps
RP                Type      Pri Holdtime Timeout ActiveGroups GroupPrefix
```

- After the RUT receives the first Bootstrap message, the BSR state for the (non-scoped) 224.0.0.0/4 zone should contain an active zone entry with TR2 as the BSR:

Xorp> show pim bootstrap 224.0.0.0/4

Active zones:

BSR	Pri	LocalAddress	Pri	State	Timeout	SZTimeout
10.3.0.1	1	0.0.0.0	0	AcceptPreferred	128	1298

Expiring zones:

BSR	Pri	LocalAddress	Pri	State	Timeout	SZTimeout
-----	-----	--------------	-----	-------	---------	-----------

Configured zones:

BSR	Pri	LocalAddress	Pri	State	Timeout	SZTimeout
-----	-----	--------------	-----	-------	---------	-----------

The Cand-RP state for the (non-scoped) 224.0.0.0/4 zone should contain TR1:

Xorp> show pim bootstrap rps 224.0.0.0/4

Active RPs:

RP	Pri	Timeout	GroupPrefix	BSR	CandRpAdvTimeout
10.6.0.1	192	147	224.0.0.0/4	10.3.0.1	-1

Expiring RPs:

RP	Pri	Timeout	GroupPrefix	BSR	CandRpAdvTimeout
----	-----	---------	-------------	-----	------------------

Configured RPs:

RP	Pri	Timeout	GroupPrefix	BSR	CandRpAdvTimeout
----	-----	---------	-------------	-----	------------------

The RP-Set should be empty:

Xorp> show pim rps

RP	Type	Pri	Holdtime	Timeout	ActiveGroups	GroupPrefix
----	------	-----	----------	---------	--------------	-------------

- After the RUT receives the second Bootstrap message, the BSR state for the (non-scoped) 224.0.0.0/4 zone should contain an active zone entry with TR2 as the BSR:

Xorp> show pim bootstrap 224.0.0.0/4

Active zones:

BSR	Pri	LocalAddress	Pri	State	Timeout	SZTimeout
10.3.0.1	1	0.0.0.0	0	AcceptPreferred	128	1298

Expiring zones:

BSR	Pri	LocalAddress	Pri	State	Timeout	SZTimeout
-----	-----	--------------	-----	-------	---------	-----------

Configured zones:

BSR	Pri	LocalAddress	Pri	State	Timeout	SZTimeout
-----	-----	--------------	-----	-------	---------	-----------

The Cand-RP state for the (non-scoped) 224.0.0.0/4 zone should contain TR1 and TR2:

Xorp> show pim bootstrap rps 224.0.0.0/4

Active RPs:

RP	Pri	Timeout	GroupPrefix	BSR	CandRpAdvTimeout
10.6.0.1	192	132	224.0.0.0/4	10.3.0.1	-1
10.3.0.1	192	147	224.0.0.0/4	10.3.0.1	-1

Expiring RPs:

RP	Pri	Timeout	GroupPrefix	BSR	CandRpAdvTimeout
----	-----	---------	-------------	-----	------------------

Configured RPs:

RP	Pri	Timeout	GroupPrefix	BSR	CandRpAdvTimeout
----	-----	---------	-------------	-----	------------------



The RP-Set should contain TR1 and TR2:

```
Xorp> show pim rps
RP                Type          Pri Holdtime Timeout ActiveGroups GroupPrefix
10.6.0.1          bootstrap 192    150    131         0 224.0.0.0/4
10.3.0.1          bootstrap 192    150    146         0 224.0.0.0/4
```

*Part C:*

The results should be same as in Part B, except that 224.0.0.0/4 is substituted everywhere with 226.0.0.0/8, and except that the CLI commands to show the scoped-zone results are:

```
Xorp> show pim bootstrap 226.0.0.0/8 scoped
...
Xorp> show pim bootstrap rps 226.0.0.0/8 scoped
...
Xorp> show pim rps
...
```

*Part D:*

- After the RUT is started, the BSR state and the Cand-RP state for the (non-scoped) 224.0.0.0/4 zone, and the RP-Set in the RUT should be empty:

```
Xorp> show pim bootstrap 224.0.0.0/4
Active zones:
BSR                Pri LocalAddress      Pri State              Timeout SZTimeout
Expiring zones:
BSR                Pri LocalAddress      Pri State              Timeout SZTimeout
Configured zones:
BSR                Pri LocalAddress      Pri State              Timeout SZTimeout
Xorp> show pim bootstrap rps 224.0.0.0/4
Active RPs:
RP                Pri Timeout GroupPrefix          BSR          CandRpAdvTimeout
Expiring RPs:
RP                Pri Timeout GroupPrefix          BSR          CandRpAdvTimeout
Configured RPs:
RP                Pri Timeout GroupPrefix          BSR          CandRpAdvTimeout
Xorp> show pim rps
RP                Type          Pri Holdtime Timeout ActiveGroups GroupPrefix
```

- After the RUT receives the first Bootstrap message, the BSR state for the (non-scoped) 224.0.0.0/4 zone should contain an active zone entry with TR2 as the BSR:

```
Xorp> show pim bootstrap 224.0.0.0/4
Active zones:
BSR                Pri LocalAddress      Pri State              Timeout SZTimeout
10.3.0.1          1 0.0.0.0             0 AcceptPreferred     128      1298
```

```

Expiring zones:
BSR          Pri LocalAddress  Pri State          Timeout SZTimeout
Configured zones:
BSR          Pri LocalAddress  Pri State          Timeout SZTimeout

```

The Cand-RP state for the (non-scoped) 224.0.0.0/4 zone should contain TR1 for group prefix 224.1.0.0/16:

```

Xorp> show pim bootstrap rps 224.0.0.0/4
Active RPs:
RP          Pri Timeout GroupPrefix      BSR          CandRpAdvTimeout
10.6.0.1    192      146 224.1.0.0/16    10.3.0.1     -1
Expiring RPs:
RP          Pri Timeout GroupPrefix      BSR          CandRpAdvTimeout
Configured RPs:
RP          Pri Timeout GroupPrefix      BSR          CandRpAdvTimeout

```

The RP-Set should contain TR1 as an RP for group prefix 224.1.0.0/16:

```

Xorp> show pim rps
RP          Type          Pri Holdtime Timeout ActiveGroups GroupPrefix
10.6.0.1    bootstrap 192      150      145          0 224.1.0.0/16

```

- After the RUT receives the second Bootstrap message, the BSR state for the (non-scoped) 224.0.0.0/4 zone should contain an active zone entry with TR2 as the BSR, as well as an expiring zone:

```

Xorp> show pim bootstrap 224.0.0.0/4
Active zones:
BSR          Pri LocalAddress  Pri State          Timeout SZTimeout
10.3.0.1     1 0.0.0.0         0 AcceptPreferred  128    1298
Expiring zones:
BSR          Pri LocalAddress  Pri State          Timeout SZTimeout
10.3.0.1     1 0.0.0.0         0 AcceptPreferred  0      -1
Configured zones:
BSR          Pri LocalAddress  Pri State          Timeout SZTimeout

```

The Cand-RP state for the (non-scoped) 224.0.0.0/4 zone should contain TR2 as an active RP for group prefix 224.1.0.0/16, and TR1 as an expiring RP for group prefix 224.1.0.0/16:

```

Xorp> show pim bootstrap rps 224.0.0.0/4
Active RPs:
RP          Pri Timeout GroupPrefix      BSR          CandRpAdvTimeout
10.3.0.1    192      147 224.1.0.0/16    10.3.0.1     -1
Expiring RPs:
RP          Pri Timeout GroupPrefix      BSR          CandRpAdvTimeout
10.6.0.1    192      129 224.1.0.0/16    10.3.0.1     -1
Configured RPs:
RP          Pri Timeout GroupPrefix      BSR          CandRpAdvTimeout

```

The RP-Set should contain TR1 as an RP for group prefix 224.1.0.0/16:

```
Xorp> show pim rps
RP                Type      Pri Holdtime Timeout ActiveGroups GroupPrefix
10.6.0.1          bootstrap 192    150    127          0 224.1.0.0/16
```

- After the RUT receives the third Bootstrap message, the BSR state for the (non-scoped) 224.0.0.0/4 zone should contain an active zone entry with TR2 as the BSR:

```
Xorp> show pim bootstrap 224.0.0.0/4
Active zones:
BSR                Pri LocalAddress      Pri State              Timeout SZTimeout
10.3.0.1           1 0.0.0.0            0 AcceptPreferred      128    1298
Expiring zones:
BSR                Pri LocalAddress      Pri State              Timeout SZTimeout
Configured zones:
BSR                Pri LocalAddress      Pri State              Timeout SZTimeout
```

The Cand-RP state for the (non-scoped) 224.0.0.0/4 zone should contain TR2 and TR3 as active RPs for group prefix 224.1.0.0/16:

```
Xorp> show pim bootstrap rps 224.0.0.0/4
Active RPs:
RP                Pri Timeout GroupPrefix          BSR                CandRpAdvTimeout
10.3.0.1          192    131 224.1.0.0/16        10.3.0.1           -1
10.2.0.4          192    147 224.1.0.0/16        10.3.0.1           -1
Expiring RPs:
RP                Pri Timeout GroupPrefix          BSR                CandRpAdvTimeout
Configured RPs:
RP                Pri Timeout GroupPrefix          BSR                CandRpAdvTimeout
```

The RP-Set should contain TR2 and TR3 as RPs for group prefix 224.1.0.0/16:

```
Xorp> show pim rps
RP                Type      Pri Holdtime Timeout ActiveGroups GroupPrefix
10.3.0.1          bootstrap 192    150    130          0 224.1.0.0/16
10.2.0.4          bootstrap 192    150    146          0 224.1.0.0/16
```

#### Part E:

- After the RUT is started, the BSR state and the Cand-RP state for the (non-scoped) 224.0.0.0/4 zone, and the RP-Set in the RUT should be empty:

```
Xorp> show pim bootstrap 224.0.0.0/4
Active zones:
BSR                Pri LocalAddress      Pri State              Timeout SZTimeout
```

```

Expiring zones:
BSR          Pri LocalAddress      Pri State          Timeout SZTimeout
Configured zones:
BSR          Pri LocalAddress      Pri State          Timeout SZTimeout
Xorp> show pim bootstrap rps 224.0.0.0/4
Active RPs:
RP          Pri Timeout GroupPrefix      BSR          CandRpAdvTimeout
Expiring RPs:
RP          Pri Timeout GroupPrefix      BSR          CandRpAdvTimeout
Configured RPs:
RP          Pri Timeout GroupPrefix      BSR          CandRpAdvTimeout
Xorp> show pim rps
RP          Type          Pri Holdtime Timeout ActiveGroups GroupPrefix

```

- After the RUT receives the first Bootstrap message, the BSR state for the (non-scoped) 224.0.0.0/4 zone should contain an active zone entry with TR2 as the BSR:

```

Xorp> show pim bootstrap 224.0.0.0/4
Active zones:
BSR          Pri LocalAddress      Pri State          Timeout SZTimeout
10.3.0.1     1 0.0.0.0             0 AcceptPreferred  127     1297
Expiring zones:
BSR          Pri LocalAddress      Pri State          Timeout SZTimeout
Configured zones:
BSR          Pri LocalAddress      Pri State          Timeout SZTimeout

```

The Cand-RP state for the (non-scoped) 224.0.0.0/4 zone should contain TR1 for group prefix 224.1.1.0/24:

```

Xorp> show pim bootstrap rps 224.0.0.0/4
Active RPs:
RP          Pri Timeout GroupPrefix      BSR          CandRpAdvTimeout
10.6.0.1    192     146 224.1.1.0/24    10.3.0.1     -1
Expiring RPs:
RP          Pri Timeout GroupPrefix      BSR          CandRpAdvTimeout
Configured RPs:
RP          Pri Timeout GroupPrefix      BSR          CandRpAdvTimeout

```

The RP-Set should contain TR1 as an RP for group prefix 224.1.1.0/24:

```

Xorp> show pim rps
RP          Type          Pri Holdtime Timeout ActiveGroups GroupPrefix
10.6.0.1    bootstrap 192     150     143         0 224.1.1.0/24

```

- After the RUT receives the second Bootstrap message, the BSR state for the (non-scoped) 224.0.0.0/4 zone should contain an active zone entry with TR2 as the BSR, as well as an expiring zone:

```
Xorp> show pim bootstrap 224.0.0.0/4
```

```
Active zones:
```

BSR	Pri	LocalAddress	Pri	State	Timeout	SZTimeout
10.3.0.1	1	0.0.0.0	0	AcceptPreferred	128	1298

```
Expiring zones:
```

BSR	Pri	LocalAddress	Pri	State	Timeout	SZTimeout
10.3.0.1	1	0.0.0.0	0	AcceptPreferred	0	-1

```
Configured zones:
```

BSR	Pri	LocalAddress	Pri	State	Timeout	SZTimeout
-----	-----	--------------	-----	-------	---------	-----------

The Cand-RP state for the (non-scoped) 224.0.0.0/4 zone should contain TR2 as an active RP for group prefix 224.1.0.0/16, and TR1 as an expiring RP for group prefix 224.1.1.0/24:

```
Xorp> show pim bootstrap rps 224.0.0.0/4
```

```
Active RPs:
```

RP	Pri	Timeout	GroupPrefix	BSR	CandRpAdvTimeout
10.3.0.1	192	147	224.1.0.0/16	10.3.0.1	-1

```
Expiring RPs:
```

RP	Pri	Timeout	GroupPrefix	BSR	CandRpAdvTimeout
10.6.0.1	192	124	224.1.1.0/24	10.3.0.1	-1

```
Configured RPs:
```

RP	Pri	Timeout	GroupPrefix	BSR	CandRpAdvTimeout
----	-----	---------	-------------	-----	------------------

The RP-Set should contain TR1 as an RP for group prefix 224.1.0.0/16:

```
Xorp> show pim rps
```

RP	Type	Pri	Holdtime	Timeout	ActiveGroups	GroupPrefix
10.6.0.1	bootstrap	192	150	122	0	224.1.1.0/24

- After the RUT receives the third Bootstrap message, the BSR state for the (non-scoped) 224.0.0.0/4 zone should contain an active zone entry with TR2 as the BSR, as well as an expiring zone:

```
Xorp> show pim bootstrap 224.0.0.0/4
```

```
Active zones:
```

BSR	Pri	LocalAddress	Pri	State	Timeout	SZTimeout
10.3.0.1	1	0.0.0.0	0	AcceptPreferred	128	1298

```
Expiring zones:
```

BSR	Pri	LocalAddress	Pri	State	Timeout	SZTimeout
10.3.0.1	1	0.0.0.0	0	AcceptPreferred	0	-1

```
Configured zones:
```

BSR	Pri	LocalAddress	Pri	State	Timeout	SZTimeout
-----	-----	--------------	-----	-------	---------	-----------

The Cand-RP state for the (non-scoped) 224.0.0.0/4 zone should contain TR2 and TR3 as active RPs for group prefix 224.1.0.0/16, and TR1 as an expiring RP for group prefix 224.1.1.0/24:

```
Xorp> show pim bootstrap rps 224.0.0.0/4
```

```
Active RPs:
```

RP	Pri	Timeout	GroupPrefix	BSR	CandRpAdvTimeout
10.3.0.1	192	128	224.1.0.0/16	10.3.0.1	-1
10.2.0.4	192	146	224.1.0.0/16	10.3.0.1	-1

```
Expiring RPs:
```

RP	Pri	Timeout	GroupPrefix	BSR	CandRpAdvTimeout
10.6.0.1	192	106	224.1.1.0/24	10.3.0.1	-1

```
Configured RPs:
```

RP	Pri	Timeout	GroupPrefix	BSR	CandRpAdvTimeout
----	-----	---------	-------------	-----	------------------

The RP-Set should contain TR1 as an RP for group prefix 224.1.1.0/24, and TR2 and TR3 as RPs for group prefix 224.1.0.0/16:

```
Xorp> show pim rps
```

RP	Type	Pri	Holdtime	Timeout	ActiveGroups	GroupPrefix
10.6.0.1	bootstrap	192	150	104	0	224.1.1.0/24
10.3.0.1	bootstrap	192	150	126	0	224.1.0.0/16
10.2.0.4	bootstrap	192	150	144	0	224.1.0.0/16

- After up to C-RP\_Timeout (150 sec) or BS\_Timeout (130 sec) (whichever comes first), the state for group prefix 224.1.1.0/24 and Cand-RP TR1 should expire:

```
Xorp> show pim bootstrap 224.0.0.0/4
```

```
Active zones:
```

BSR	Pri	LocalAddress	Pri	State	Timeout	SZTimeout
10.3.0.1	1	0.0.0.0	0	AcceptPreferred	16	1186

```
Expiring zones:
```

BSR	Pri	LocalAddress	Pri	State	Timeout	SZTimeout
-----	-----	--------------	-----	-------	---------	-----------

```
Configured zones:
```

BSR	Pri	LocalAddress	Pri	State	Timeout	SZTimeout
-----	-----	--------------	-----	-------	---------	-----------

```
Xorp> show pim bootstrap rps 224.0.0.0/4
```

```
Active RPs:
```

RP	Pri	Timeout	GroupPrefix	BSR	CandRpAdvTimeout
10.3.0.1	192	17	224.1.0.0/16	10.3.0.1	-1
10.2.0.4	192	34	224.1.0.0/16	10.3.0.1	-1

```
Expiring RPs:
```

RP	Pri	Timeout	GroupPrefix	BSR	CandRpAdvTimeout
----	-----	---------	-------------	-----	------------------

```
Configured RPs:
```

RP	Pri	Timeout	GroupPrefix	BSR	CandRpAdvTimeout
----	-----	---------	-------------	-----	------------------

In addition, TR1 should be removed from the RP-Set as well:

```
Xorp> show pim rps
```

RP	Type	Pri	Holdtime	Timeout	ActiveGroups	GroupPrefix
10.3.0.1	bootstrap	192	150	15	0	224.1.0.0/16
10.2.0.4	bootstrap	192	150	33	0	224.1.0.0/16

**Possible Problems:** None.

*Part F:*

- Until after the third Bootstrap message is transmitted, the result should be same as in Section E.
- After the RUT receives the fourth Bootstrap message, the BSR state for the (non-scoped) 224.0.0.0/4 zone should contain an active zone entry with TR2 as the BSR:

```
Xorp> show pim bootstrap 224.0.0.0/4
Active zones:
BSR                Pri LocalAddress      Pri State              Timeout SZTimeout
10.3.0.1           1 0.0.0.0              0 AcceptPreferred     128    1298
Expiring zones:
BSR                Pri LocalAddress      Pri State              Timeout SZTimeout
Configured zones:
BSR                Pri LocalAddress      Pri State              Timeout SZTimeout
```

The Cand-RP state for the (non-scoped) 224.0.0.0/4 zone should contain TR2 and TR3 as active RPs for group prefix 224.1.0.0/16:

```
Xorp> show pim bootstrap rps 224.0.0.0/4
Active RPs:
RP                Pri Timeout GroupPrefix           BSR                CandRpAdvTimeout
10.3.0.1          192    103 224.1.0.0/16         10.3.0.1           -1
10.2.0.4          192    123 224.1.0.0/16         10.3.0.1           -1
Expiring RPs:
RP                Pri Timeout GroupPrefix           BSR                CandRpAdvTimeout
Configured RPs:
RP                Pri Timeout GroupPrefix           BSR                CandRpAdvTimeout
```

The RP-Set should contain TR2 and TR3 as RPs for group prefix 224.1.0.0/16:

```
Xorp> show pim rps
RP                Type      Pri Holdtime Timeout ActiveGroups GroupPrefix
10.3.0.1          bootstrap 192    150    101    0 224.1.0.0/16
10.2.0.4          bootstrap 192    150    122    0 224.1.0.0/16
```

**Possible Problems:** None.